

MOBILE ELEVATING WORK PLATFORM
SCANLIFT SL 180

Spare Parts, from Serial No 192001 onwards.

MOBILE ELEVATING WORK PLATFORM
SCANLIFT SL 180

Spare Parts, from Serial No 192001 onwards.

Contents

1. PLATFORM COMPLETE
 - 1.1 Control valve assembly
 - 1.2 Safety limit valve assembly
 - 1.3 Check valve assembly
2. JIB BOOM ASSEMBLY
 - 2.1 Jib cylinder assembly
 - 2.1.1 Jib cylinder
 - 2.1.2 Counterbalance valve assembly
 - 2.2 Levelling cylinder assembly
 - 2.2.1 Levelling cylinder
 - 2.3 Clamping device
3. BOOM COMPLETE
 - 3.1 Main boom assembly
 - 3.2 Middle telescope assembly
 - 3.3 Inner telescope assembly
 - 3.4 Telescoping cylinder assembly
 - 3.4.1 Telescoping cylinder
 - 3.4.2 Counterbalance valve assembly
 - 3.5 Safety switch assembly for chain
4. HYDRAULIC EQUIPMENT FOR BOOM COMPLETE
 - 4.1 Dual pilot operated check valve assembly
 - 4.2 Hose set 1 for jib boom assembly
 - 4.3 Hose set 2 for jib boom assembly
 - 4.4 Hose set 3 for jib boom assembly
 - 4.5 Hose set 4 for jib boom assembly
5. UPPER TURNTABLE ASSEMBLY
 - 5.1 Lifting cylinder assembly
 - 5.1.1 Lifting cylinder
 - 5.1.2 Counterbalance valve assembly
 - 5.2 Control cylinder for levelling
6. BASE FRAME COMPLETE
 - 6.1 Outrigger cylinder assembly
 - 6.1.1 Outrigger cylinder
 - 6.2 Arm cylinder
 - 6.3 Transport support assembly

7. AXLES / WHEEL HUBS / STEERING CYLINDERS

- 7.1 Dead rear axle with brakes
- 7.2 Oscillating front axle without brakes
- 7.3 Wheel hub with brakes
- 7.4 Wheel hub without brakes
- 7.5 Brake cylinder
- 7.6 Steering cylinder

8. HYDRAULIC EQUIPMENT FOR BASE FRAME

- 8.1 Control valve assembly for travelling controls
- 8.2 Valve assembly for travelling controls
- 8.3 Solenoid operated directional valve assembly 1
- 8.4 Solenoid operated directional valve assembly 2
- 8.5 Flow divider valve assembly
- 8.6 Hose set for wheel hubs with brakes
- 8.7 Hose set for outriggers
- 8.8 Hose set for steering cylinders
- 8.9 Hose set 1 for base frame
- 8.10 Hose set 2 for base frame

9. LOWER TURNTABLE ASSEMBLY

- 9.1 Oil tank assembly
- 9.2 Fuel tank assembly
- 9.3 Emergency lowering pump assembly
- 9.4 Hood complete
- 9.5 Cover clamp

10. HYDRAULIC EQUIPMENT FOR TURNTABLE

- 10.1 Slewing gear complete
 - 10.1.1 Valve group assembly
 - 10.1.2 Rotary dividing coupling
- 10.2 Chance-over valve assembly
- 10.3 Valve group 1 assembly
- 10.4 Outreach limiter mechanism complete
 - 10.4.1 Outreach limiter valve assy for telescoping
 - 10.4.2 Outreach limiter valve assy for lifting
- 10.5 Reserve limiter switch for outreach
- 10.6 Filtering group complete
 - 10.6.1 Return filter assembly
 - 10.6.2 Pressure filter assembly
- 10.7 Dividing / pressure relief valve assembly
- 10.8 Hose set for upper and lower turntable

11. ELECTRICAL EQUIPMENT

12. ELECTRICAL EQUIPMENT FOR PLATFORM

- 12.1 Push-button box 4 of platform, assembly
- 12.2 Push-button box 4 of platform, wiring
- 12.3 Push-button box 4 of platform, box assy
- 12.4 Push-button box 4 of platform, cover assy
- 12.5 Electrical equipment for 220 V working voltage

13. ELECTRICAL EQUIPMENT FOR BOOMS

- 13.1 Cable 1 for booms
- 13.2 Cable 2 and safety switch for chain
- 13.3 Cable for 220 V working voltage

14. ELECTRICAL EQUIPMENT FOR TURNTABLE

- 14.1 Push-button box 7 of turntable, assembly
- 14.2 Push-button box 7 of turntable, internal wiring
- 14.3 Push-button box 7 of turntable, internal outfit
- 14.4 Cables for Diesel engine
- 14.5 Electric box 6 for slip-ring switch

15. ELECTRICAL EQUIPMENT FOR BASE FRAME

- 15.1 Adapter box 1 of base frame, cables
- 15.2 Adapter box 1 of base frame, internal outfit
- 15.3 Attachment of safety switches RK3 and RK4 and adapter box 1 of base frame
- 15.4 Relay- and adapter box 3 of base frame, cables
- 15.5 Attachment of safety switches RK1 and RK2
- 15.6 Indicator box 2 for horizontal level, assembly
- 15.7 Push-button box 5 of base frame, internal outfit
- 15.8 Electrical equipment for 220 V working voltage

16. ENGINES

- 16.1 Engine assembly, Hatz diesel

SCANLIFT SL 180

1. PLATFORM COMPLETE

<u>Item</u>	<u>Part No</u>	<u>Description</u>	<u>Qty</u>
1-59	21035101	Platform complete	1
1	21035501	Platform frame	1
2	21035502	Connection part to jib	1
3	21035503	Gate	1
4	21035504	Lockplate	1
5	21035505	Turning bar	1
6	21035506	Click	1
7	21035508	Axle 30/18/M25x1.5-104	2
9	21035509	Control valve assembly	1
10	21035510	Push-button box, petrol/gas	1
	21036358	Push-button box, diesel	1
11	21035511	Turning wheel	1
12	21035512	Thrust plate 60/31-3	1
13	21035513	Floor plate	1
14	21035514	Foot cover r/l	1+1
15	21035515	Gear	1
16	21035516	Guarding plate for lock	1
17	3300509	Lock, left handed 26000579	1
18	3300309	Coil spring 3 x 17 x 100 (243000)	1
19	3090291	Pipe clamp N 216	1
20	3090489	Clamp 11045020L D= 22-28 mm	1
21	3180259	Contact box SUKO 2300/2 EWSKS	1
23	3300512	Cup spring SF-TAF 28 x 10.2 x 0.8	1
24	3300513	Cup spring SF-TAF 15 x 2.8 x 0.8	2
25	3010014	Hex. screw M8 x 20 8.8 zn DIN 933	4
26	3010196	Hex. screw M6 x 20 8.8 zn DIN 933	5
27	3010322	Hex. screw M10 x 12 8.8 zn DIN 933	2
28	3010160	Hex. screw M10 x 50 8.8 zn DIN 931	1
29	3010250	Socket hd-screw M8 x 40 8.8 zn DIN 912	2
30	3010583	Socket hd-screw M6 x 40 8.8 zn DIN 912	2
31	3020111	Collar Nut KM 5 zn (M25 x 1,5)	2
32	3030091	Lockwasher MB 5 zn (25 x 1.25)	2
33	3020004	Hex. nut M10 zn DIN 985	1
34	3020001	Hex. nut M8 zn DIN 985	7
35	3020061	Hex. nut M6 zn DIN 985	4

SCANLIFT SL 180

1. PLATFORM COMPLETE

<u>Item</u>	<u>Part No</u>	<u>Description</u>	<u>Qty</u>
36	3030003	Washer M10 zn DIN 126	2'
37	3030084	Washer M6 zn DIN 126	2
38	3030043	Spring washer M8 zn DIN 127	6
40	3030104	Washer M6 zn DIN 9021	3
41	3010572	Allen screw M8 x 60 zn 10.9 DIN 7991	3
42	3010657	Allen screw M5 x 16 zn DIN 7985	6
44	3020092	Hex. nut M5 zn DIN 985	6
45	3070006	Tack rivet 5 x 12	60
46	3050003	Grease nipple M8 straight	2
47	3300514	Plug IKP 25/22/S	2
50	3280285	Safety sign	2
51	3100044	Bushing PM 3040 DX	1
52	3100013	Bushing PM 3030 DX	2
53	3010551	Allen screw M4 x 10 zn DIN 965	2
54	21035283	Doorstep plate	1
55	21036113	Safety guard for turning gear	1
56	21036520	Clamp for Safety limit valve	1
57	21036530	Safety limit valve assembly	1
58	3010072	Hex. screw M8 x 50 8.8 zn DIN 931	2
59	21036528	Check valve assembly	1

SCANLIFT SL 180

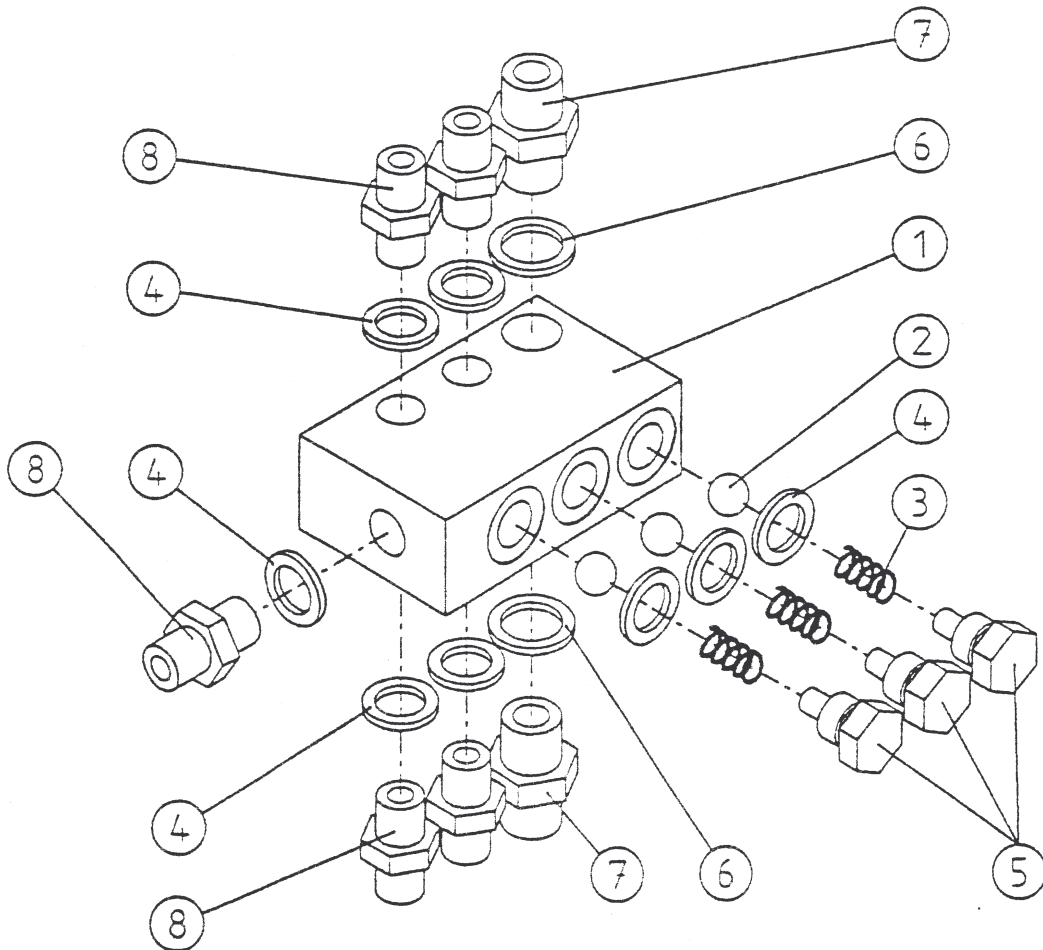
1.1 CONTROL VALVE ASSEMBLY (PLATFORM COMPLETE)

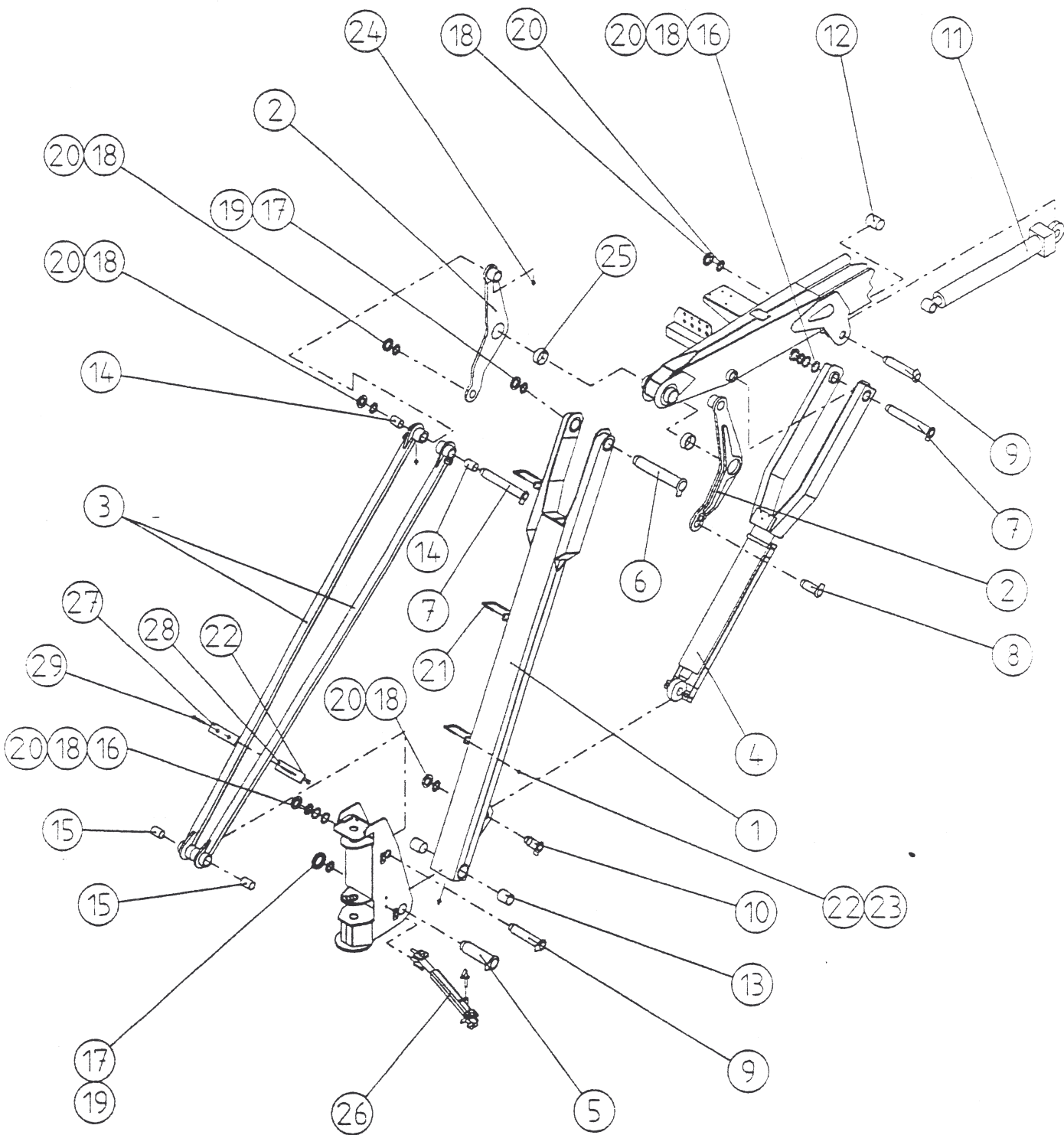
<u>Item</u>	<u>Part No</u>	<u>Description</u>	<u>Qty</u>
1-11	21035509	Control valve assembly complete	1
1	3120336	Directional valve SD5/5	1
4	3020001	Hex. nut M8 zn DIN 985	5
5	3090641	Allen plug HFM-20 M20x1.5	1
6	3090040	Double nipple 04000-06	2
7	3090052	Reducing nipple 04000-04-06	6
8	3090001	Reducing nipple 04000-06-08	3
9	3110040	Bonded seal Usit R 3/8"	12
10	3090296	Long double nipple 04000-06 EP	1
11	3090228	Connector 04010-04-04	1

SCANLIFT SL 180

1.3 CHECK VALVE ASSEMBLY (PLATFORM COMPLETE)

<u>Item</u>	<u>Part No</u>	<u>Description</u>	<u>Qty</u>
1-8	21036528	Check valve assembly complete	1
1	21036201	Body	1
2	3090286	Ball D=11 mm SKF	3
3	3300545	Coil spring SS2387 0,8x8-19,1	3
4	3110041	Bonded seal Usit R 1/4"	8
5	21036202	Plug / spring guidance	3
6	3110040	Bonded seal Usit R 3/8"	2
7	3090040	Double nipple 04000-06	2
8	3090158	Double nipple 04000-04	5

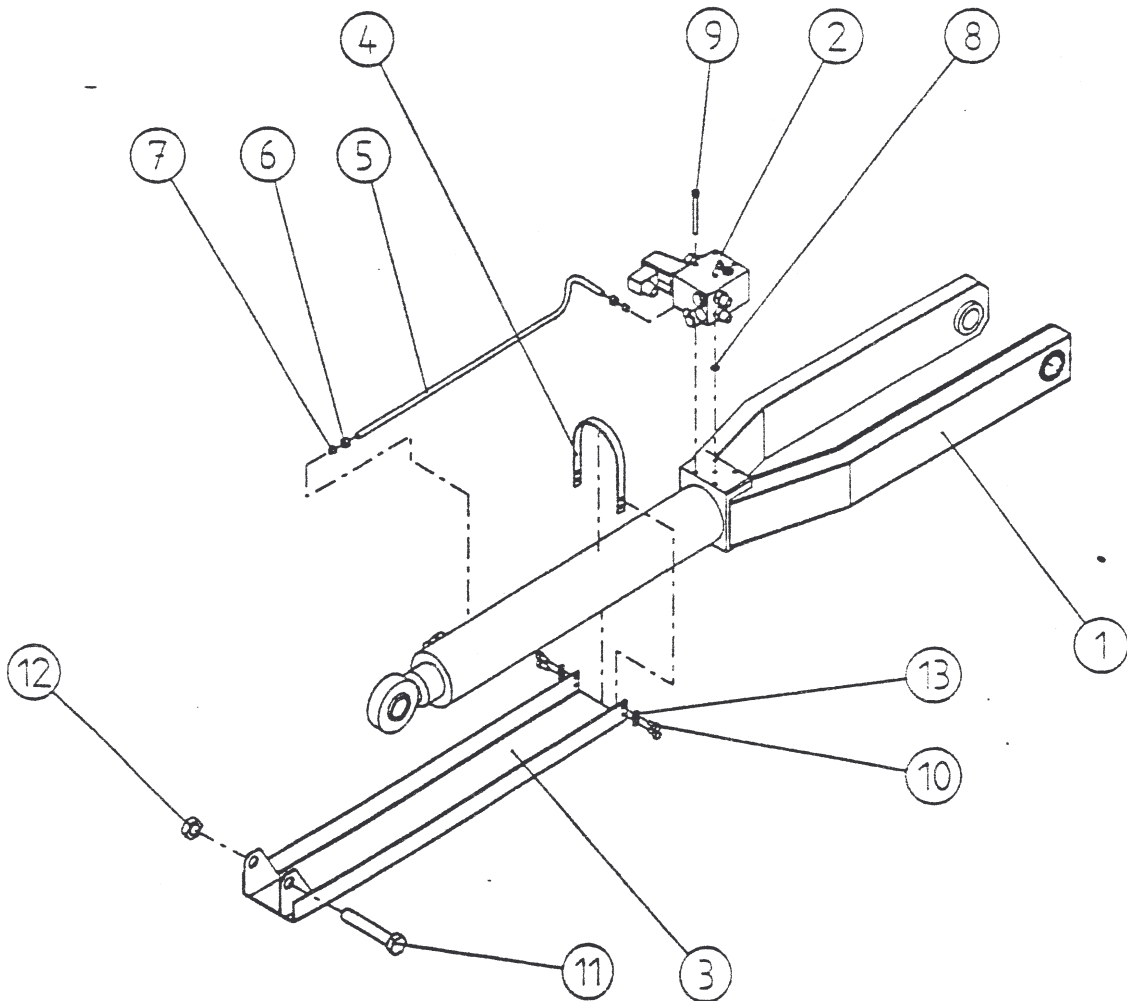




SCANLIFT SL 180

2.1 JIB CYLINDER ASSEMBLY (JIB BOOM ASSEMBLY)

<u>Item</u>	<u>Part No</u>	<u>Description</u>	<u>Qty</u>
1-13	21035617	Jib cylinder assembly complete	1
1	28410001	Jib cylinder complete 70/50-415	1
2	21035896	Counterbalance valve assembly	1
3	21035973	Rod protector	1
4	21035647	Protectors guidance	1
5	21035644	Oil pipe L=505	1
6	3090511	Nut ML 08 zn DIN 3870	2
7	3090512	Cutting ring S 08 DIN 3861	2
8	3110158	O-ring 8.73x1.78 90 Shore	1
9	3010237	Socket hd screw M6 x 60 8.8 zn DIN 912	4
10	3010585	Hex. screw M6 x 12 zn 8.8 DIN 933	4
11	3010023	Hex. screw M16 x 90 8.8 zn DIN 931	1
12	3020010	Hex. nut M16 zn DIN 985	1
13	3030067	Spring washer M6 DIN 127	4



SCANLIFT SL 180

2.1.1 JIB CYLINDER COMPLETE (JIB CYLINDER ASSEMBLY)

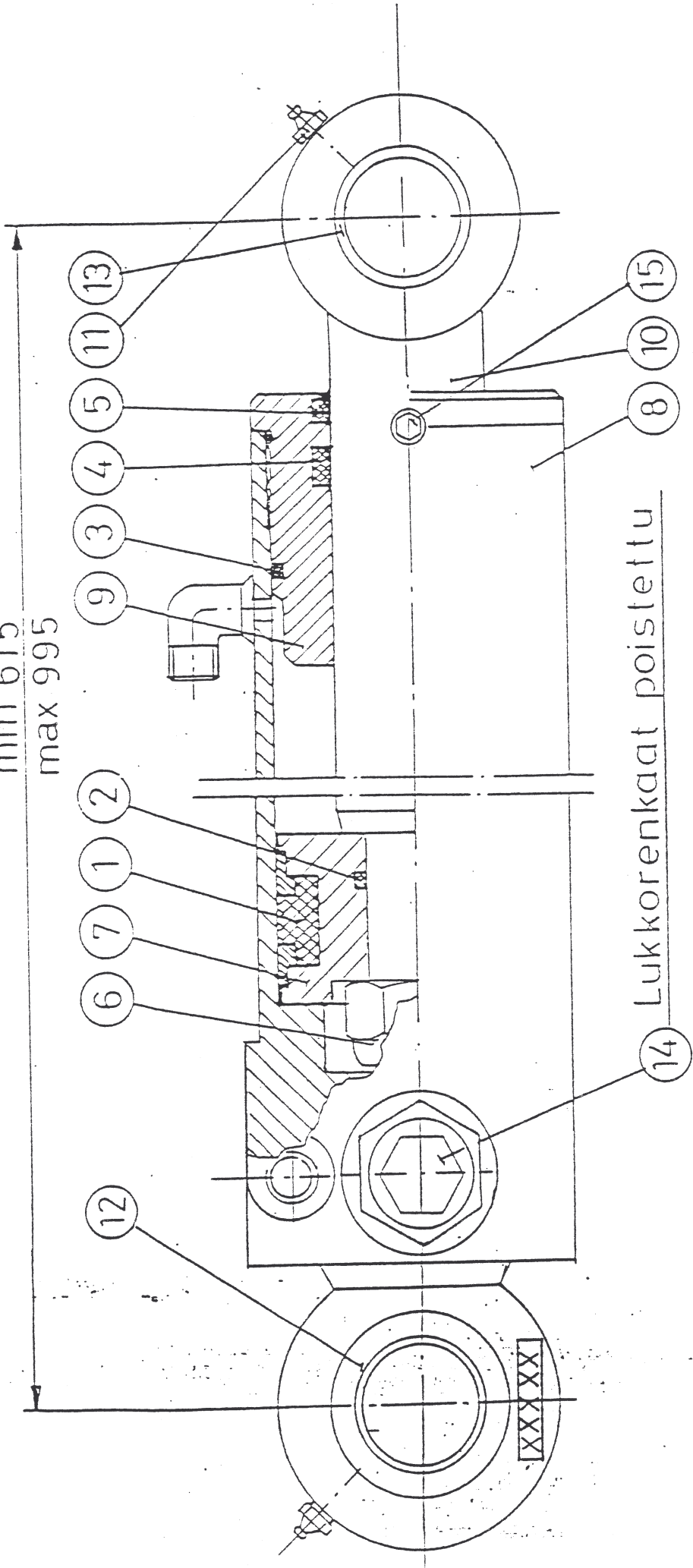
<u>Item</u>	<u>Part No</u>	<u>Description</u>	<u>Qty</u>
1-13	28410001	Jib cylinder complete	1
1-5	3110621	Seal kit	1
1	3110007	Piston seal DBM 70	1
2	3110003	O-ring OR 26,2x3 90sh	1
3	3110009	O-ring OR 64,5x3 90sh	1
4	3110255	Rod seal BS 50/60x10	1
5	3110018	Wiper P6-50	1
6	3020008	Hex. nut UNF 1" DIN 985	1
7	28206201	Piston	1
8	28410101	Barrel	1
9	28410202	Guide, bushing	1
10	28410204	Rod, piston	1
11	3100235	Spherical bearing GE 30 HO-2RS	1
12	3050003	Grease nipple M8 straight	1
13	3010175	Retaining screw M8x10 DIN 914	1

SCANLIFT SL 180

2.1.2 COUNTERBALANCE VALVE ASSEMBLY (JIB CYLINDER ASSEMBLY)

<u>Item</u>	<u>Part No</u>	<u>Description</u>	<u>Qty</u>
1-10	21035896	Counterbalance valve assembly complete	1
1	21035641	Body	1
2	3120359	Solenoid operated valve ED 06/NC	1
3	3120351	Counterbal. valve Modular MCV9-10-C-0-50	1
4	21503438	Restrictor Ø1 R1/4"	2
5	3090211	Allen plug R 1/4"	1
6	3090208	Allen plug R 1/8"	3
7	3010593	Socket hd screw M6x8 zn 8.8 DIN 912	1
8	3110041	Bonded seal Usit R1/4"	3
9	3110402	Bonded seal Usit M6	2
10	3090327	Banjo coupling SEL-08R	1

min 615
max 995



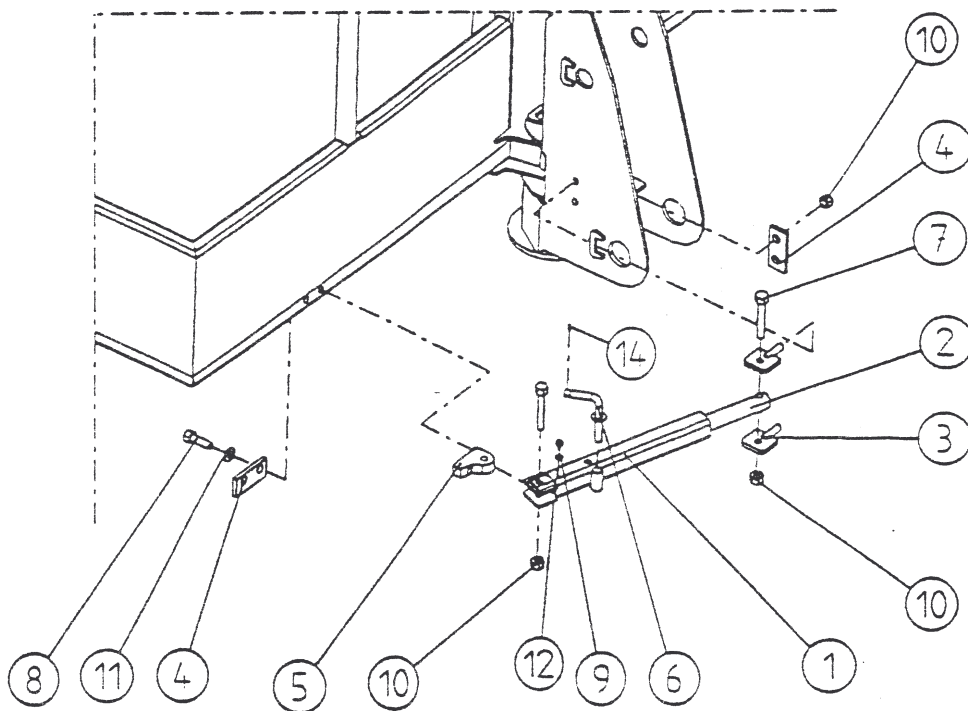
Lukkorenkaat poistettu

Osa	Osaan tai kokoonpanon nimi	Kpl	Lehti	Muoto, mallit, stand.	Pikr. no
Buunn.	18.4.91				
Piir.	Buohde: 1/11				
Illyv.					
<p>SL 180 Osa Vak. sylinteri</p>		<p>Alhjon koko: Kp/Vaihio: Messa: Br. M. Varha pikr. no Pikr. no</p>			
<p>KESLA OY KESKILÄHTI</p>		<p>28409001</p>			
<p>Ø 50/30 x 380</p>					

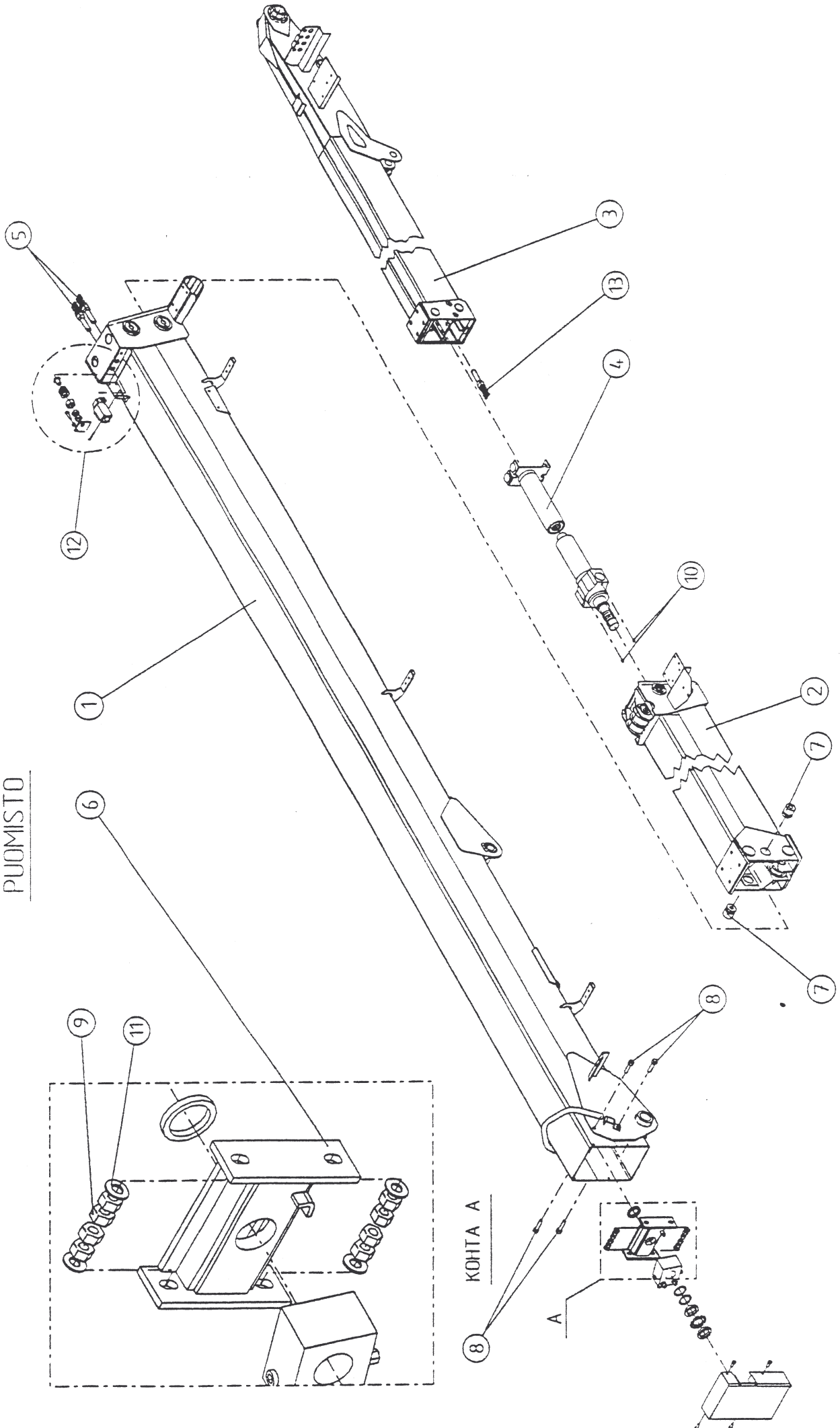
SCANLIFT SL 180

2.3 CLAMPING DEVICE (JIB BOOM ASSEMBLY)

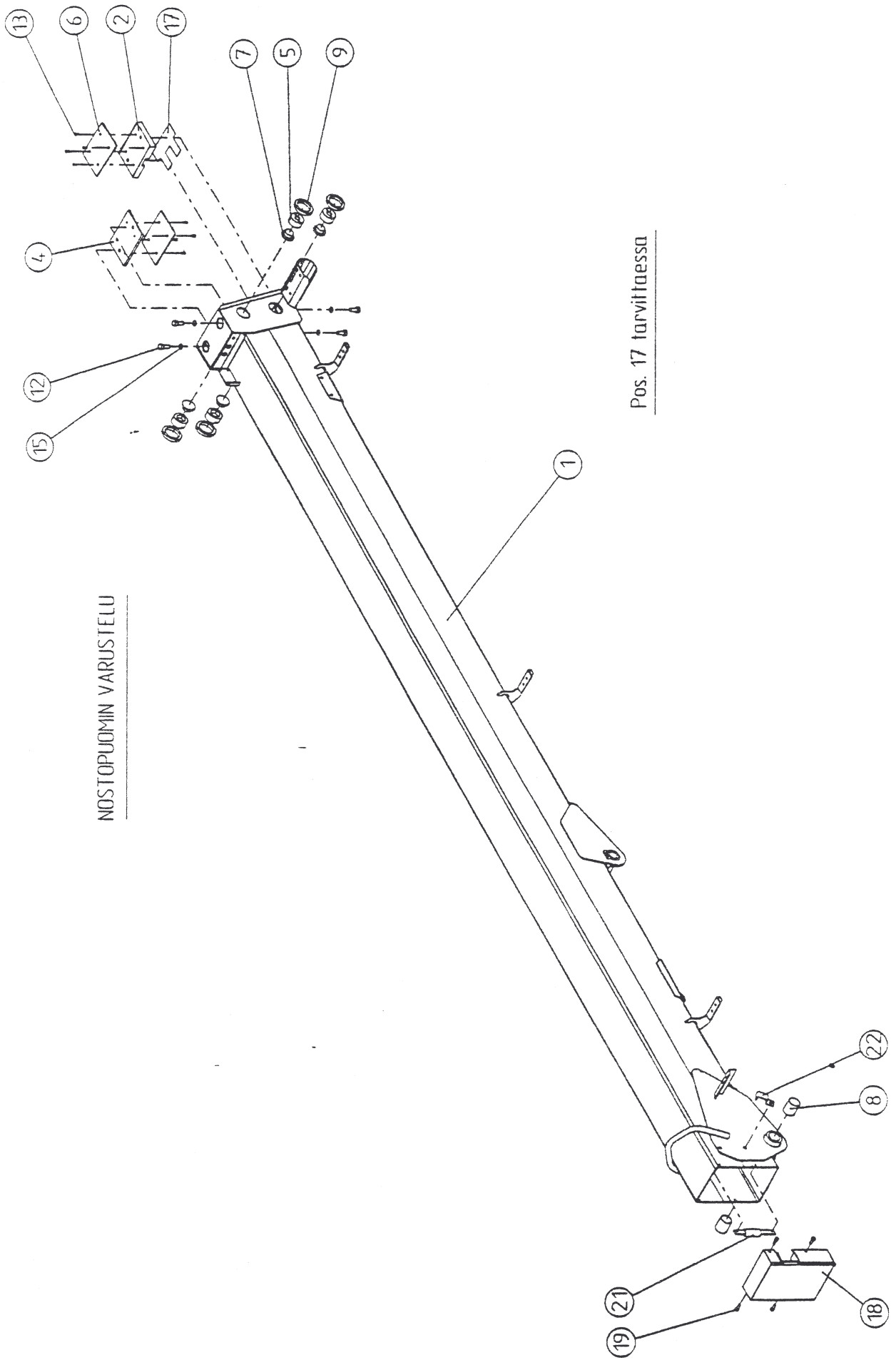
<u>Item</u>	<u>Part No</u>	<u>Description</u>	<u>Qty</u>
1-14	21036236	Clamping device complete	1
1	21036239	Tube	1
2	21036223	Rod	1
3	21036224	Lug for connecting part	2
4	21036225	Plate	2
5	21036226	Lug for platform	1
6	21036227	Lock stub	1
7	3010059	Hex. screw M10 x 60 8.8 zn DIN 931	2
8	3010042	Hex. screw M10 x 30 8.8 zn DIN 933	2
9	3010569	Hex. screw M5 x 8 8.8 zn DIN 933	1
10	3020004	Hex. nut M10 zn DIN 985	4
11	3030022	Spring washer M10 zn DIN 127	2
12	3030094	Spring washer M8 zn DIN 127	1
13	3190035	Chain	1
14	3040082	Rollpin 3 x 12 DIN 1481	1



PUOMISTO



NOSTOPUOMIN VARUSTELU



Pos. 17 tarvittaessa

SCANLIFT SL 180

3.1 MAIN BOOM ASSEMBLY (BOOM COMPLETE)

<u>Item</u>	<u>Part No</u>	<u>Description</u>	<u>Qty</u>
1-22	21035522	Main boom assembly complete	1
1	21036203	Main boom	1
2	21036216	Bolt plate for lower bearing	1
4	21035291	Bolt plate for upper bearing	1
5	21033211	Adjusting screw	4
6	21035292	Bearing	2
7	21033210	Side bearing	4
8	3100001	Bushing PM 404450 DX	2
9	3020119	Collar nut KM 11 M55x2	4
12	3010048	Hex. screw M12 x 30 8.8 ZN DIN 933	4
13	3010272	Allen screw M6 x 10 10.9 zn DIN 7991	8
15	3030018	Spring washer M12 zn DIN 127	4
16	3050003	Grease nipple M8 zn straight	1
17	21035293	Adjusting plate	---
18	21036211	Cover	1
19	3010014	Hex. screw M8 x 20 8.8 zn DIN 933	4
21	21036219	Hose guide	1
22	21036222	Hose clamp	1

SCANLIFT SL 180

3.2 MIDDLE TELESCOPE ASSEMBLY (BOOM COMPLETE)

<u>Item</u>	<u>Part No</u>	<u>Description</u>	<u>Qty</u>
1-30	21035518	Middle telescope assembly complete	1
1	21036208	Middle telescope	1
2	21035327	Upper bolt plate	1
3	21035328	Lower bolt plate	1
4	21033208	Bearing	1
5	21035329	Bearing	2
6	21033210	Side bearing, back end	4
7	21033255	Side bearing	4
8	21033259	Adjusting screw	4
9	21032283	Chain pulley	1
10	21035330	Bush ring	1
11	21035331	Axle 30/M25x1.5-72	1
12	21035332	Double chain pulley	1
13	21035333	Axle	1
14	21035334	Lower adjusting plate	---
15	3100109	Bushing PM 4040 DX	1
16	3100044	Bushing PM 3040 DX	2
17	3020111	Collar nut KM 5 zn (M25x1.5)	3
18	3030091	Lock washer 25x1,25 MB 5	3
19	3020105	Collar nut KM 8 (M40 x 1.5)	4
20	3010272	Allen screw M6 x 10 10.9 zn DIN 7991	14
21	3010442	Hex. screw M12 x 25 8.8 zn DIN 933	5
22	3030018	Spring washer M12 zn DIN 127	5
23	3050003	Grease nipple M8 zn straight	3
24	3030103	Shim 36x45x0.7 DIN 988	---
26	21035292	Bearing 6x120x165	1
27	3010673	Socket hd screw M6 x 20 12.9 DIN 912	4
28	3020061	Hex. nut M6 zn DIN 985	4
29	21035329	Bearing	1
30	21035355	Adjusting plate	-

SCANLIFT SL 180

3.3 INNER TELESCOPE ASSEMBLY (BOOM COMPLETE)

<u>Item</u>	<u>Part No</u>	<u>Description</u>	<u>Qty</u>
1-13	21035517	Inner telescope assembly complete	1
1	21035353	Inner telescope	1
2	21035354	Frame for chain termination	1
3	21033208	Bearing	2
4	21033257	Bearing	1
5	21033255	Side bearing 35/25-12	4
6	3010272	Allen screw M6 x 10 10.9 zn DIN 7991	12
7	3010186	Allen screw M12x20 10.9 zn DIN 7991	4
8	3100109	Bushing PM 4040 DX	3
9	3100044	Bushing PM 3040 DX	2
10	3050003	Grease nipple M8 zn straight	2
11	21036359	Adjusting plate	---
12	3030110	Shim 25x35x1 DIN 988	---
13	21036386	Adjusting plate	---

SCANLIFT SL 180

3.4 TELESCOPING CYLINDER ASSEMBLY (BOOM COMPLETE)

<u>Item</u>	<u>Part No</u>	<u>Description</u>	<u>Qty</u>
1-9	21035284	Telescoping cylinder assembly complete	1
1	28406001	Telescoping cylinder compl. 63/50-3750	1
2	21035897	Counterbalance valve assembly	1
3	3020105	Collar nut KM 8 (M40 x 1.5)	1
4	3030086	Lock washer MB 8 (40/62-1.25)	1
5	21035383	Shim ring 55/42-7	1
6	21035384	Bearing 35/25-16	4
7	3060007	Circlip 25 x 1.2 zn DIN 471	4
8	3110553	O-ring 41.2x3 90 sh	3
9	3030123	Shim 42 x 52 x 2 DIN 988	2

SCANLIFT SL 180

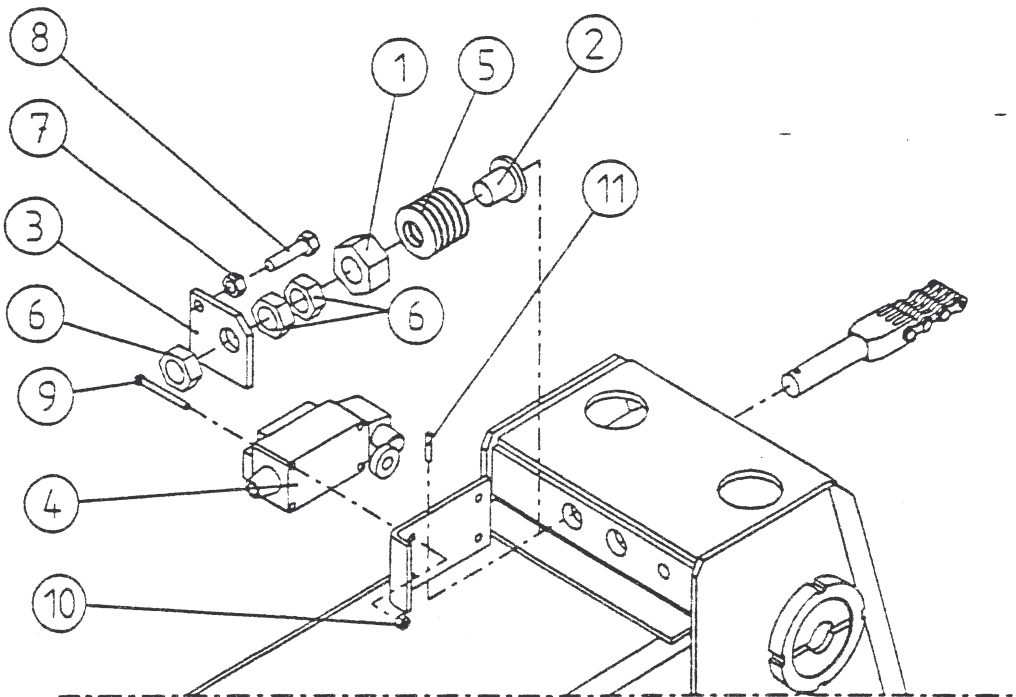
3.4.1 TELESCOPING CYLINDER COMPLETE (TELESCOPING CYLINDER ASSEMBLY)

<u>Item</u>	<u>Part No</u>	<u>Description</u>	<u>Qty</u>
1-9	28406001	Cylinder complete	1
1-5	3110622	Seal kit	1
1	3110002	Piston seal DBM63	1
2	3110230	Piston guidance 63/57x13	2
3	3110009	O-ring OR64,5x3 90sh	1
4	3110025	Rod seal BS 50/60x10	1
5	3110018	Wiper P6-50	1
6	3010175	Retaining screw M8x10 DIN 914	1
7	28406101	Barrel	1
8	28406202	Guide, bushing	1
9	28406204	Fixed piston & rod	1

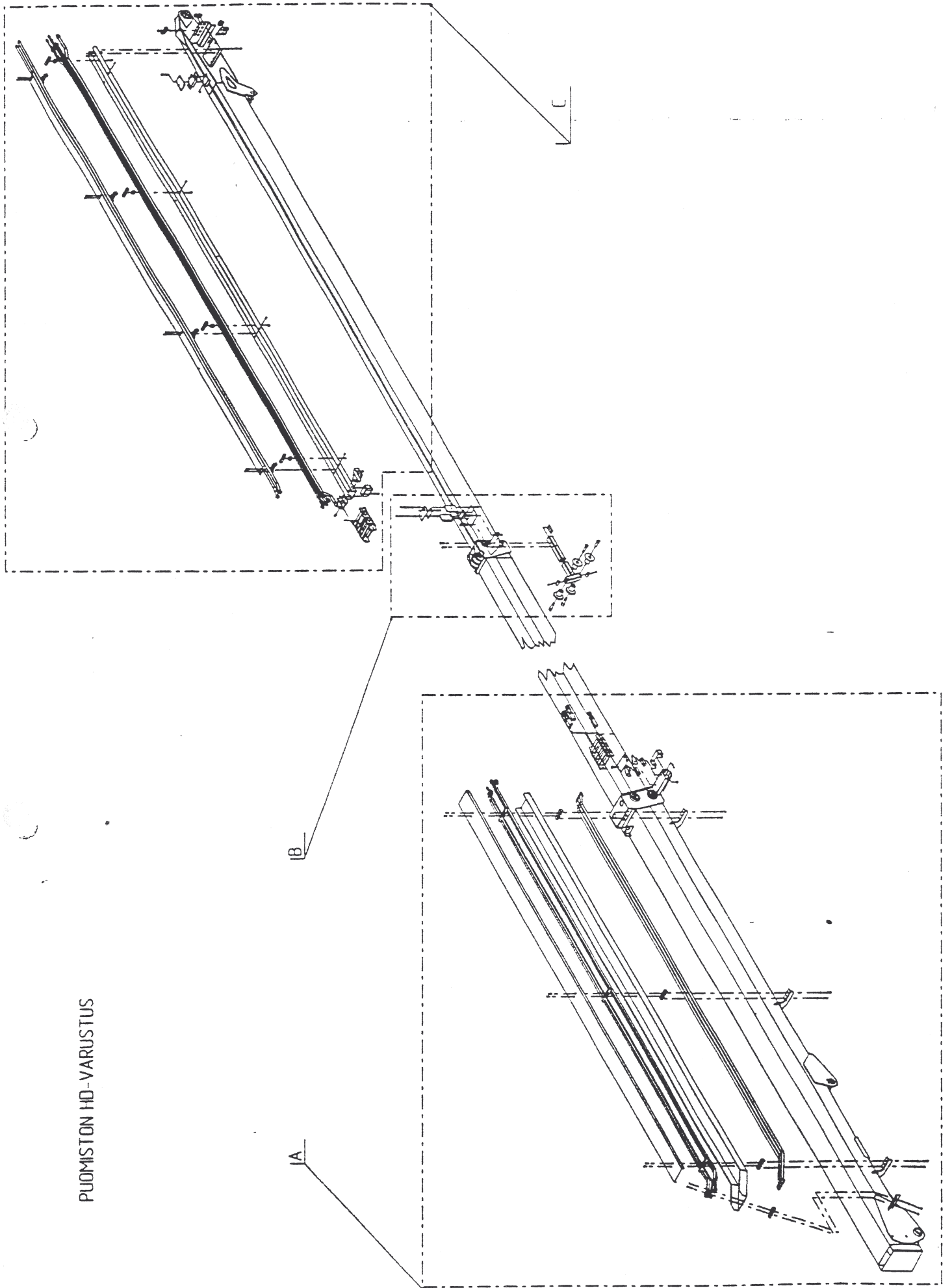
SCANLIFT SL 180

3.5 SAFETY SWITCH ASSEMBLY FOR CHAIN (BOOM COMPLETE)

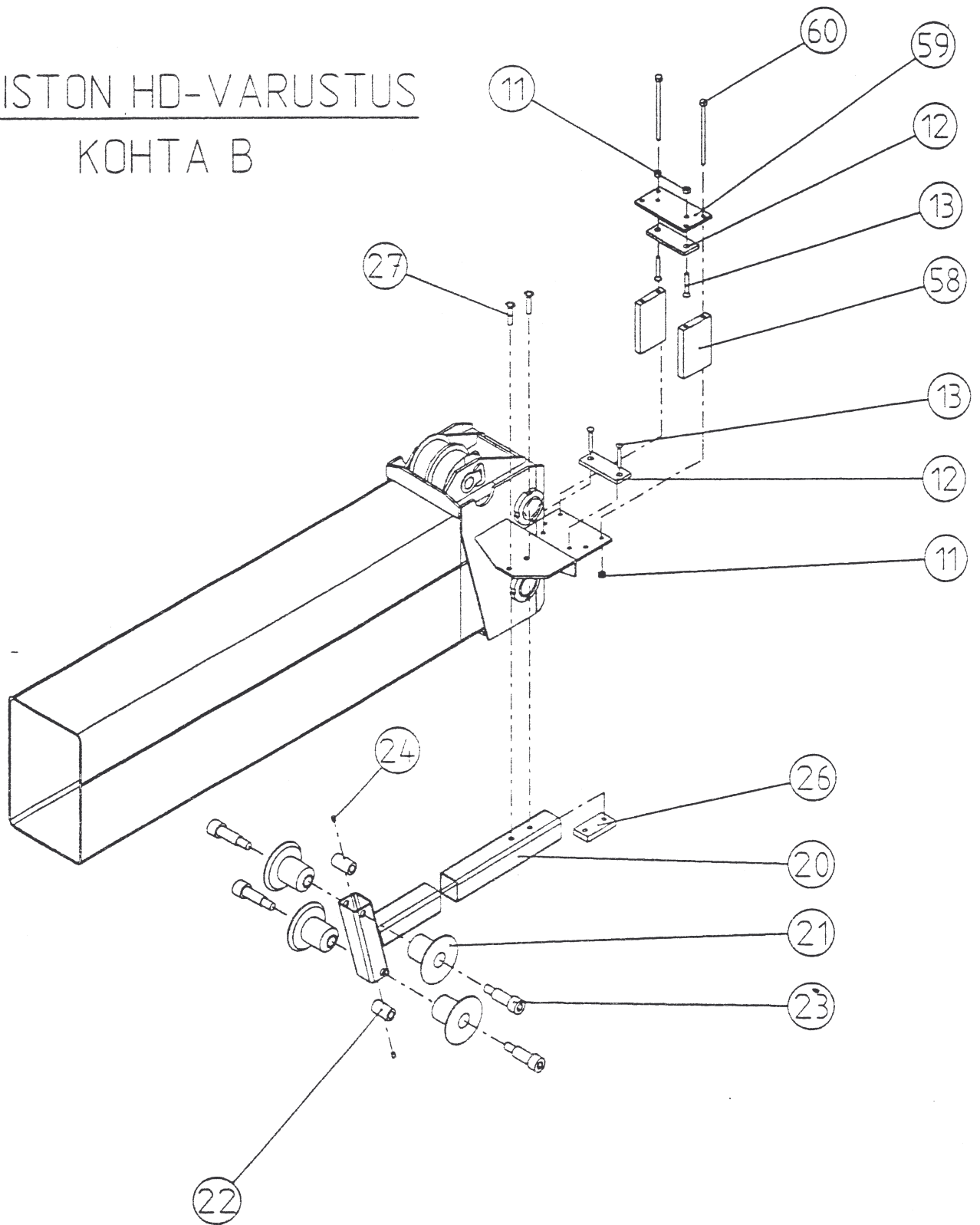
<u>Item</u>	<u>Part No</u>	<u>Description</u>	<u>Qty</u>
1-11	21035288	Safety switch assembly complete	1
1	21035390	Guide 1	1
2	21035391	Guide 2	1
3	21035392	Guide 3	1
4	3180275	Electric switch.SCMERSAL T4V1H 336-11Z	1
5	3300515	Cup spring 35.5x18.3x0.9 DIN 2093	12
6	3020015	Hex. nut M16 zn DIN 936	3
7	3020003	Hex. nut M8 zn DIN 934	1
8	3010323	Hex. screw M8 x 30 8.8 zn DIN 933	1
9	3010403	Slot-headed screw M5x40 zn DIN 84	4
10	3020092	Hex. nut M5 zn DIN 985	4
11	3040060	Split pin 3x20 zn DIN 94	1



PUOMISTON HD-VARUSTUS



PUOMISTON HD-VARUSTUS
KOHTA B



SCANLIFT SL 180

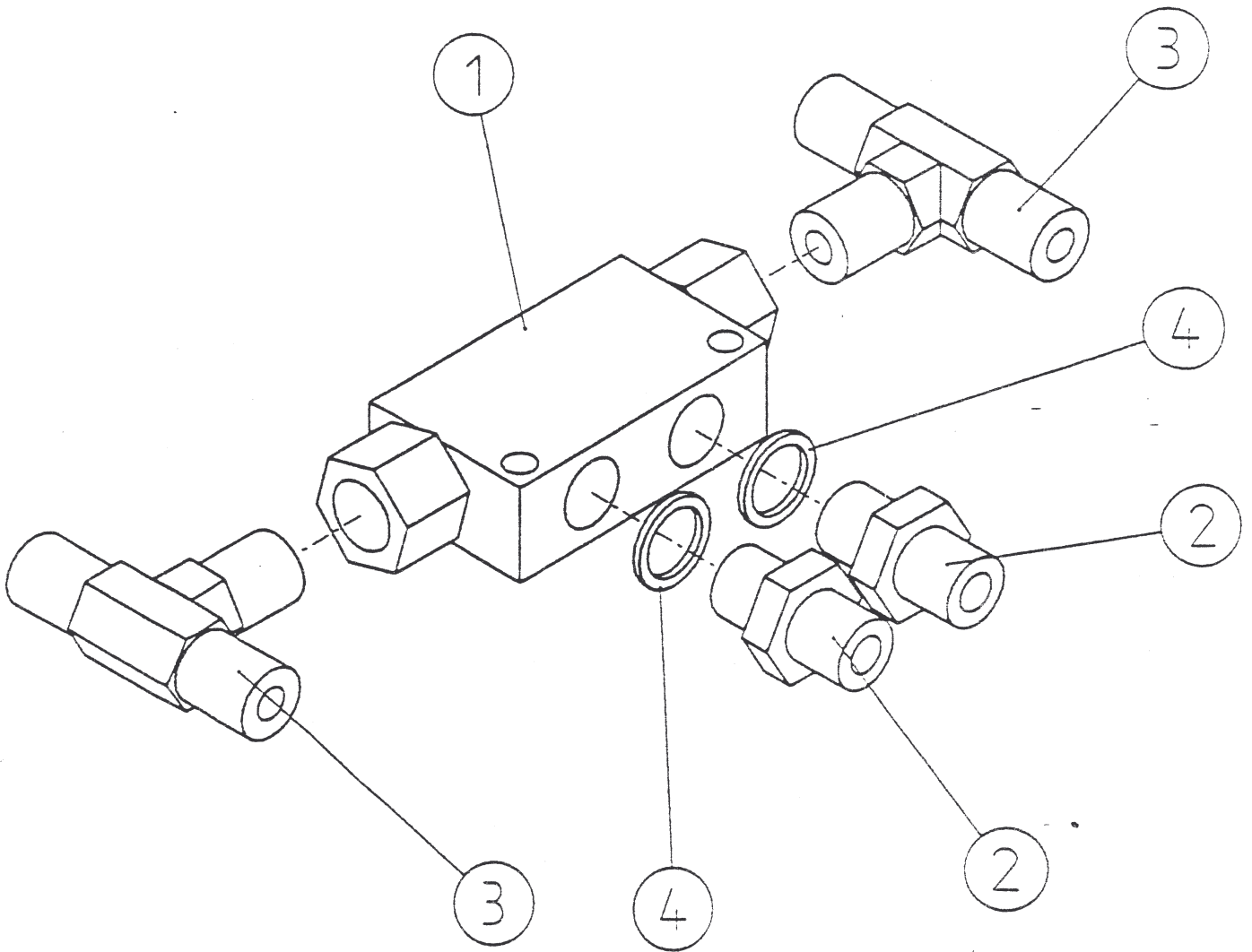
4. HYDRAULIC EQUIPMENT FOR BOOM COMPLETE

<u>Item</u>	<u>Part No</u>	<u>Description</u>	<u>Qty</u>
1	21035464	Hose canal, main boom	1
2	21035465	Canals cover, main boom	1
3	21035466	Pipe clamp	3
4	21035467	Pipe clamp 2	4
5	21035468	Hydraulic pipe L=3960	3
6	21036183	Hydraulic pipe L=3830	3
7	21036243	Hydraulic pipe L=3895	4
8	3010338	Hex. screw M6x40 8.8 zn DIN 931	6
9	3030067	Spring washer M6 DIN 127	6
10	3010676	Allen screw M6x40 10.9 zn DIN 7991	2
11	3020061	Hex. nut M6 zn DIN 985	20
12	21035484	Bearing	2
13	3010255	Socket hd screw M6 x 16 10.9 zn DIN 7991	12
14	3190024	Chain guidance for hoses 0624.43 KR=19	1
15	3190025	Bored end kit for guidance	1
16	21036189	Plate	1
17	21035480	Step	2
18	3010586	Lock screw M8x30 8.8 zn DIN 603	4
19	3020001	Hex. nut M8 zn DIN 985	4
20	21036240	Support bar	1
21	21035483	Roller guidance	4
22	21035477	Bushing 20/M12-34	2
23	21035478	Socket hd screw M12x57 8.8 machined	4
24	3010587	Retaining screw M6x8 zn 8.8 DIN 916	2
25	21035481	Bearing	1
26	21035475	Detend	1
27	3010176	Allen screw M8x30 10.9 DIN 7991	2
28	21035471	Hose canal, telescopes	1
29	21035472	Canals end, r/l	1+1
30	3010585	Hex. screw M6x12 zn 8.8 DIN 933	5
31	3010583	Socket hd screw M6x40 zn 8.8 DIN 912	2
32	21036185	Hydraulic pipe L=4455	1

SCANLIFT SL 180

4.1 DUAL PILOT OPERATED CHECK VALVE ASSEMBLY (HYDRAULIC EQUIPM./BOOM)

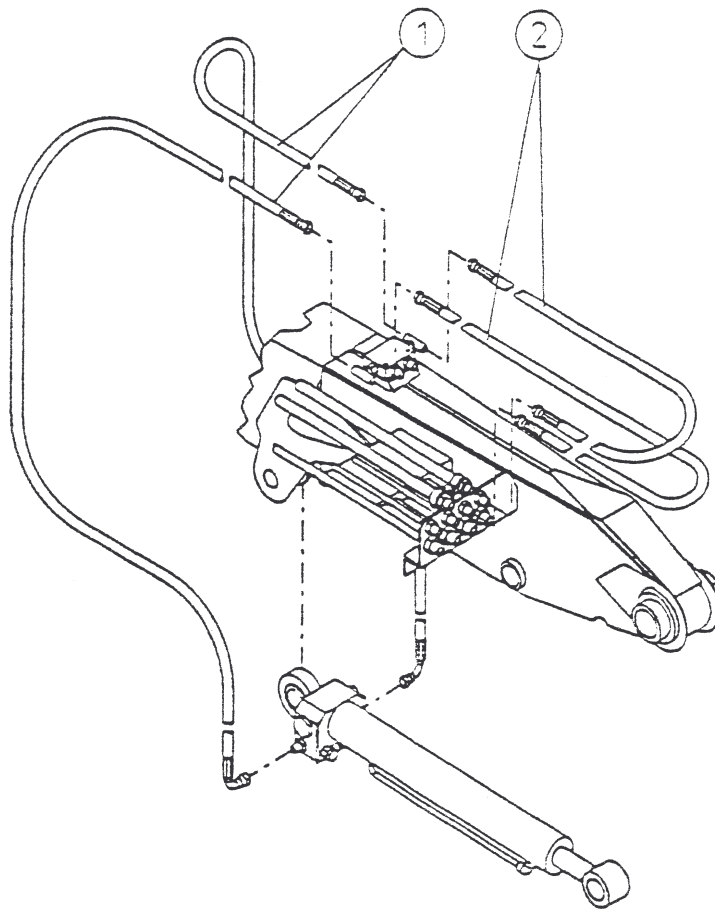
<u>Item</u>	<u>Part No</u>	<u>Description</u>	<u>Qty</u>
1-4	21035978	Dual pilot operated check valve complete	1
1	3120358	Dual pilot operated check valve	1
2	21035968	Restrictor \varnothing 0,5 R 1/4"	2
3	3090223	T-nipple 04860-04	2
4	3030124	Copper washer KUT-13	2



SCANLIFT SL 180

4.3 HOSE SET 2. (HYDRAULIC EQUIPMENT FOR BOOM COMPLETE)

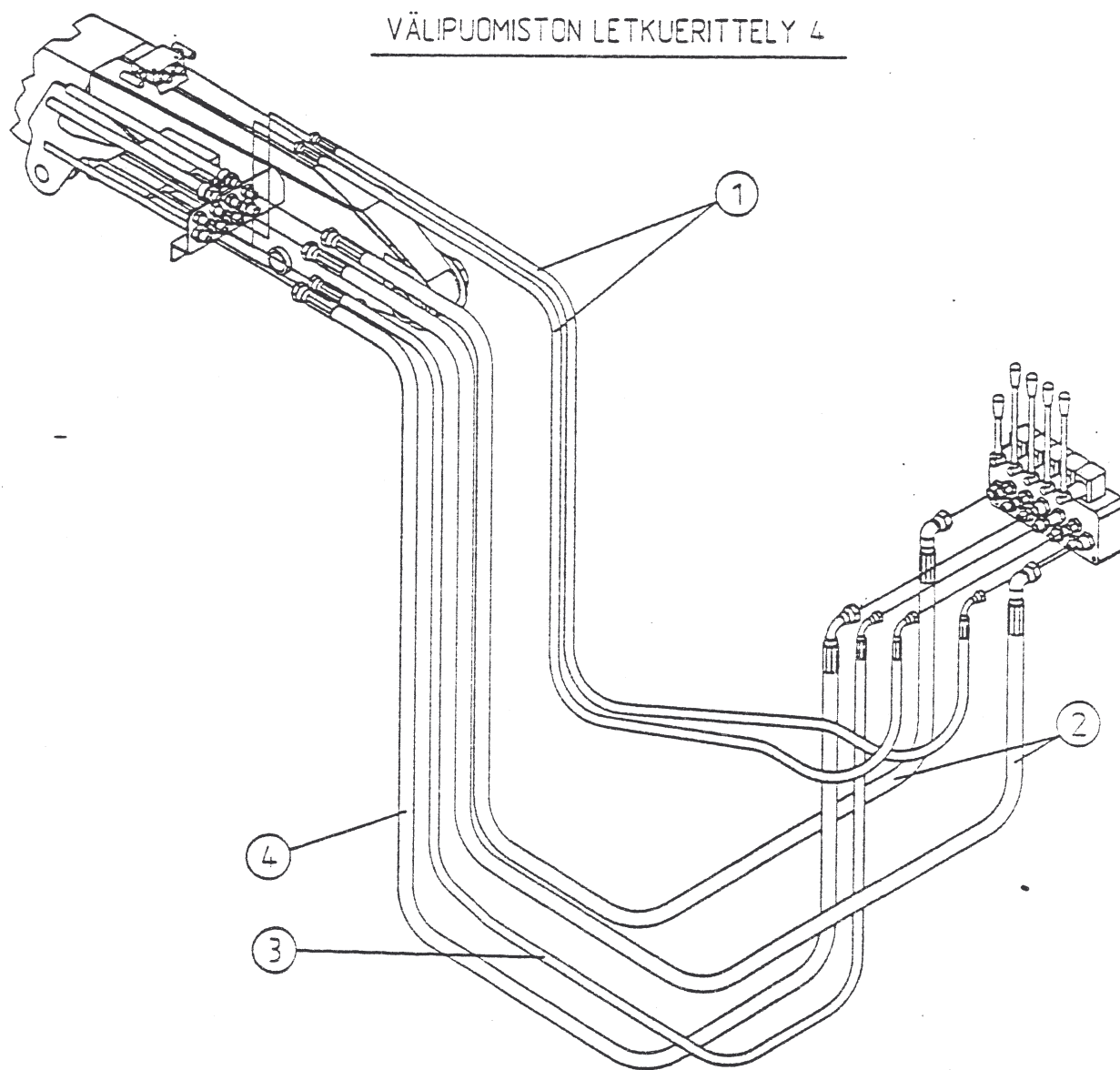
<u>Item</u>	<u>Part No</u>	<u>Description</u>	<u>Qty</u>
1	3130752	5729-04/Tractor AST1-1/4"/5701-04 L=460	2
2	3130753	5701-04/Tractor AST1-1/4"/5701-04 L=500	2



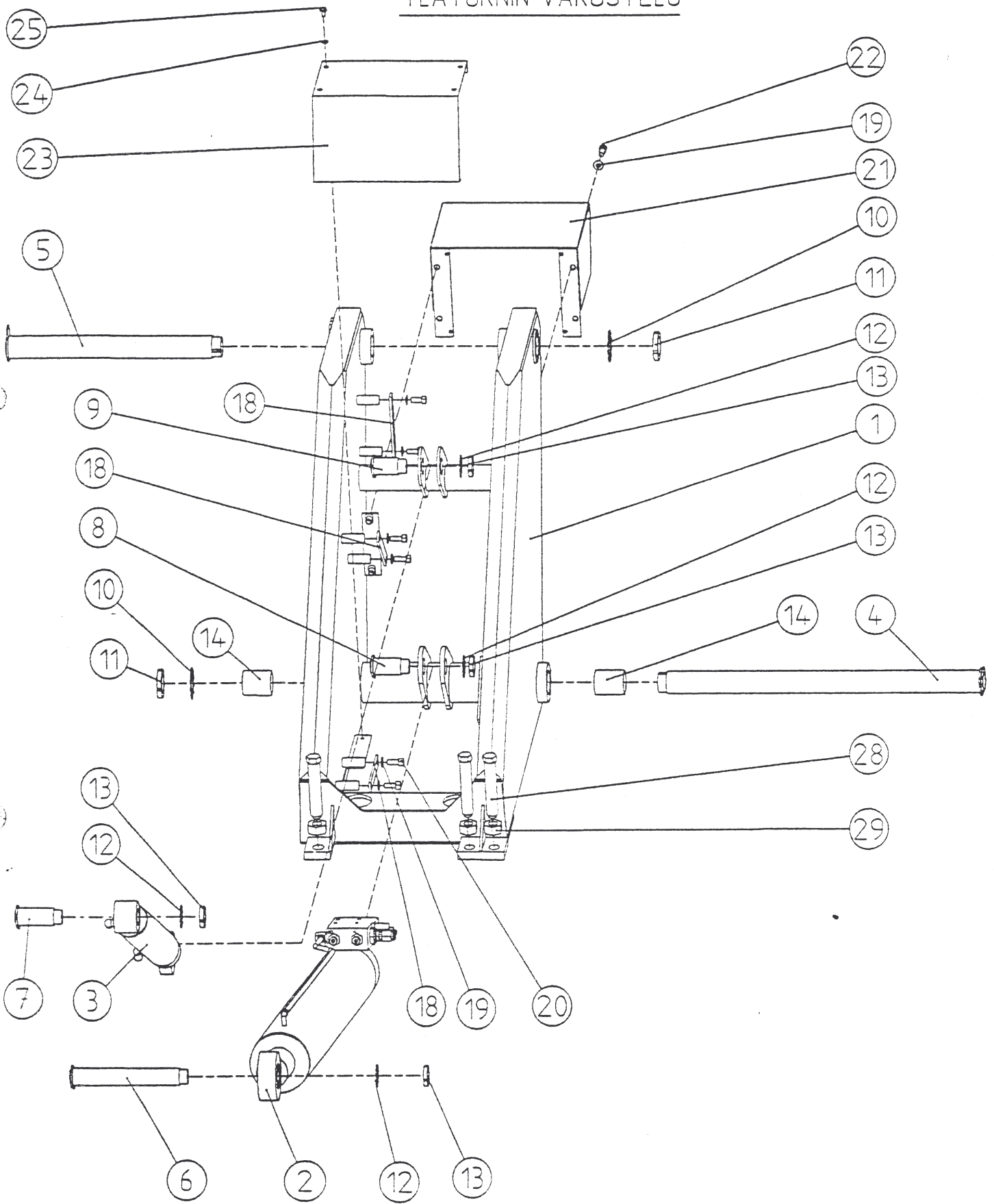
SCANLIFT SL 180

4.5 HOSE SET 4. (HYDRAULIC EQUIPMENT FOR BOOM COMPLETE)

<u>Item</u>	<u>Part No</u>	<u>Description</u>	<u>Qty</u>
1	3130871	5751-04/Tractor 1AST-1/4"/5701-04 L=3100	2
2	3130748	5729-08/Tractor AST2-1/2"/5701-08 L=3070	2
3	3130749	5751-06/Tractor AST1-3/8"/5701-06 L=3030	1
4	3130750	5751-08/Tractor AST1-1/4"/5701-08 L=3070	1



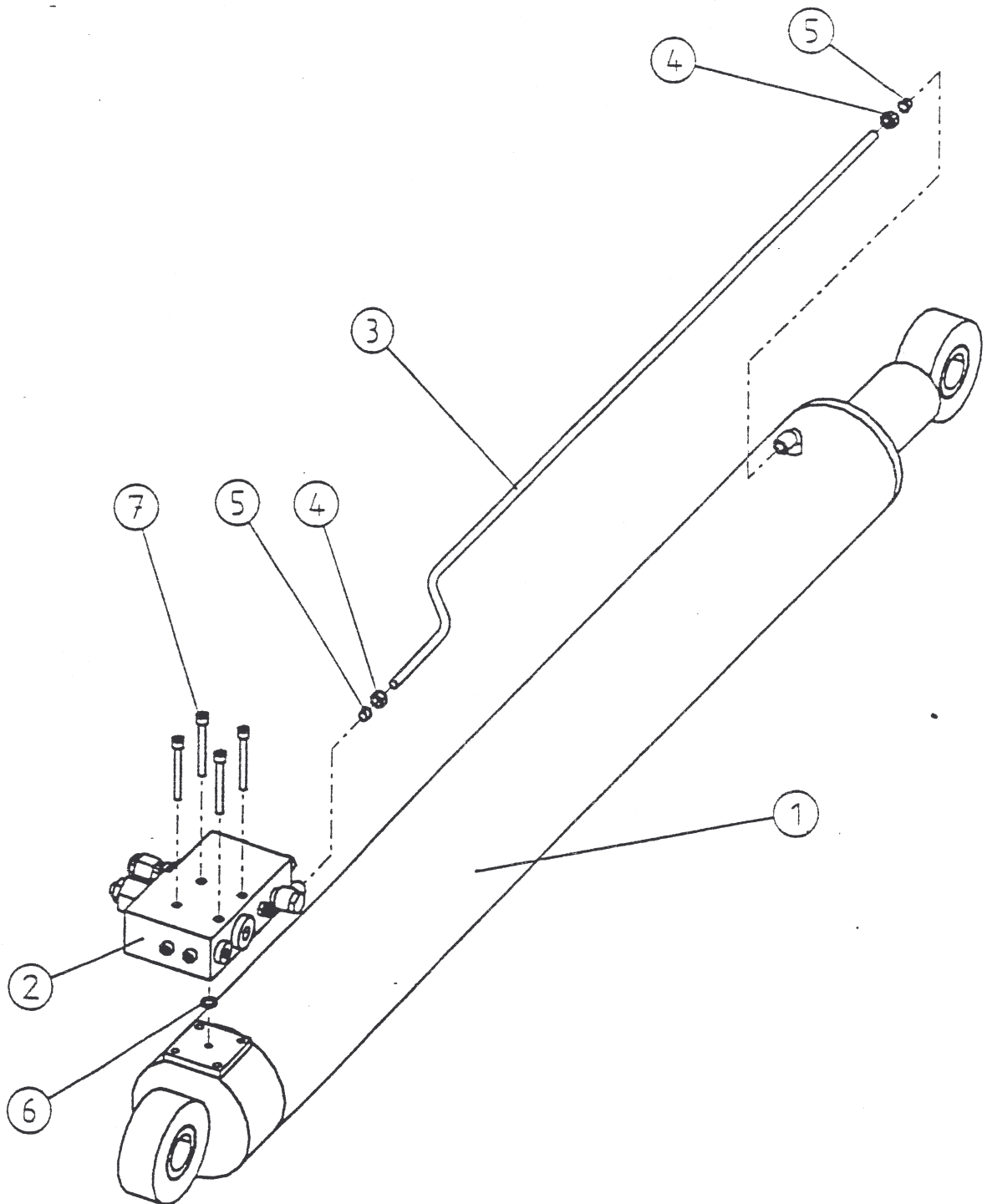
YLÄTORNNIN VARUSTELU



SCANLIFT SL 180

5.1 LIFTING CYLINDER ASSEMBLY (UPPER TURNTABLE ASSEMBLY)

<u>Item</u>	<u>Part No</u>	<u>Description</u>	<u>Qty</u>
1-7	21035640	Lifting cylinder assembly complete	1
1	28407001	Lifting cylinder complete 90/56-810	1
2	21035893	Counterbalance valve assembly, lift	1
3	21035642	Hydraulic pipe L=855	1
4	3090511	Nut ML 08 zn DIN 3870	2
5	3090512	Cutting ring S 08 DIN 3861	2
6	3110158	O-ring 8.73x1.78 90 Shore	1
7	3010491	Socket hd screw M6 x 50 8.8 zn DIN 912	4



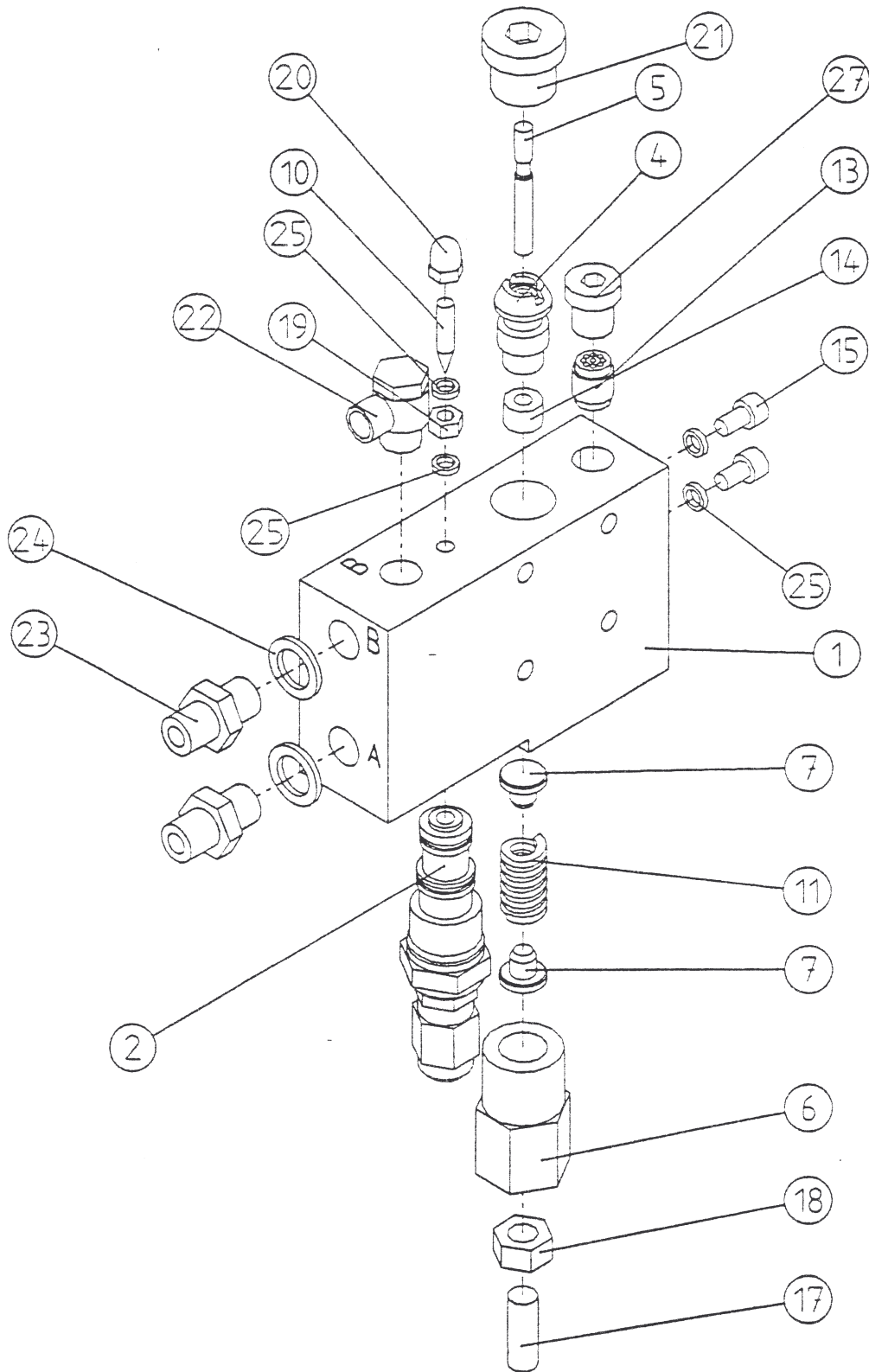
SCANLIFT SL 180

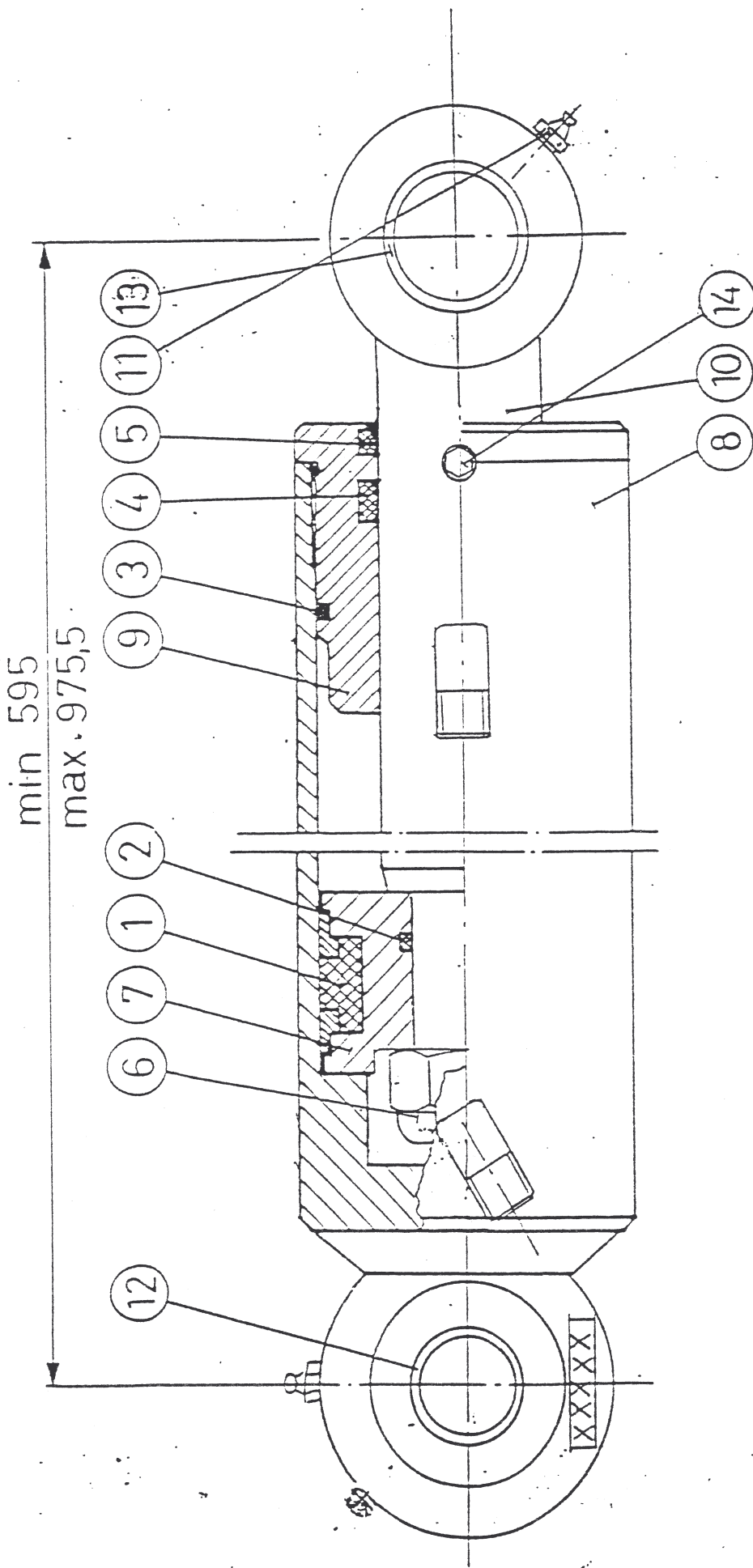
5.1.1 LIFTING CYLINDER COMPLETE (LIFTING CYLINDER ASSEMBLY)

<u>Item</u>	<u>Part No</u>	<u>Description</u>	<u>Qty</u>
1-17	28407001	Lifting cylinder complete	1
1-5	3110 542	Seal kit	1
1	3110253	Piston seal EUD 90/76x22,5	1
2	3110254	O-ring OR36,2x3 90sh	1
3	3110017	O-ring OR 84,5x3 90sh	2
4	3110270	Rod seal BS 56/71x11,5	1
5	3110077	Wiper P6-56	1
6	3020043	Hex. nut M36x3 DIN 985	1
7	28322201	Piston	1
8	28407101	Barrel	1
9	28407202	Guide, bushing	1
10	28407204	Rod, piston	1
11	3050003	Grease nipple M8 straight	2
12	3100237	Spherical bearing GE 30 DO	2
13	3060056	Circlip Ø 55 DIN 472	2
14	28407105	Damper spool	1
15	28407106	Damper bushing	1
16	3060075	Circlip Ø 70 DIN 472	1
17	3010175	Retaining screw M8x10 DIN 914	1

KUORMANLASKUVENTTIILI

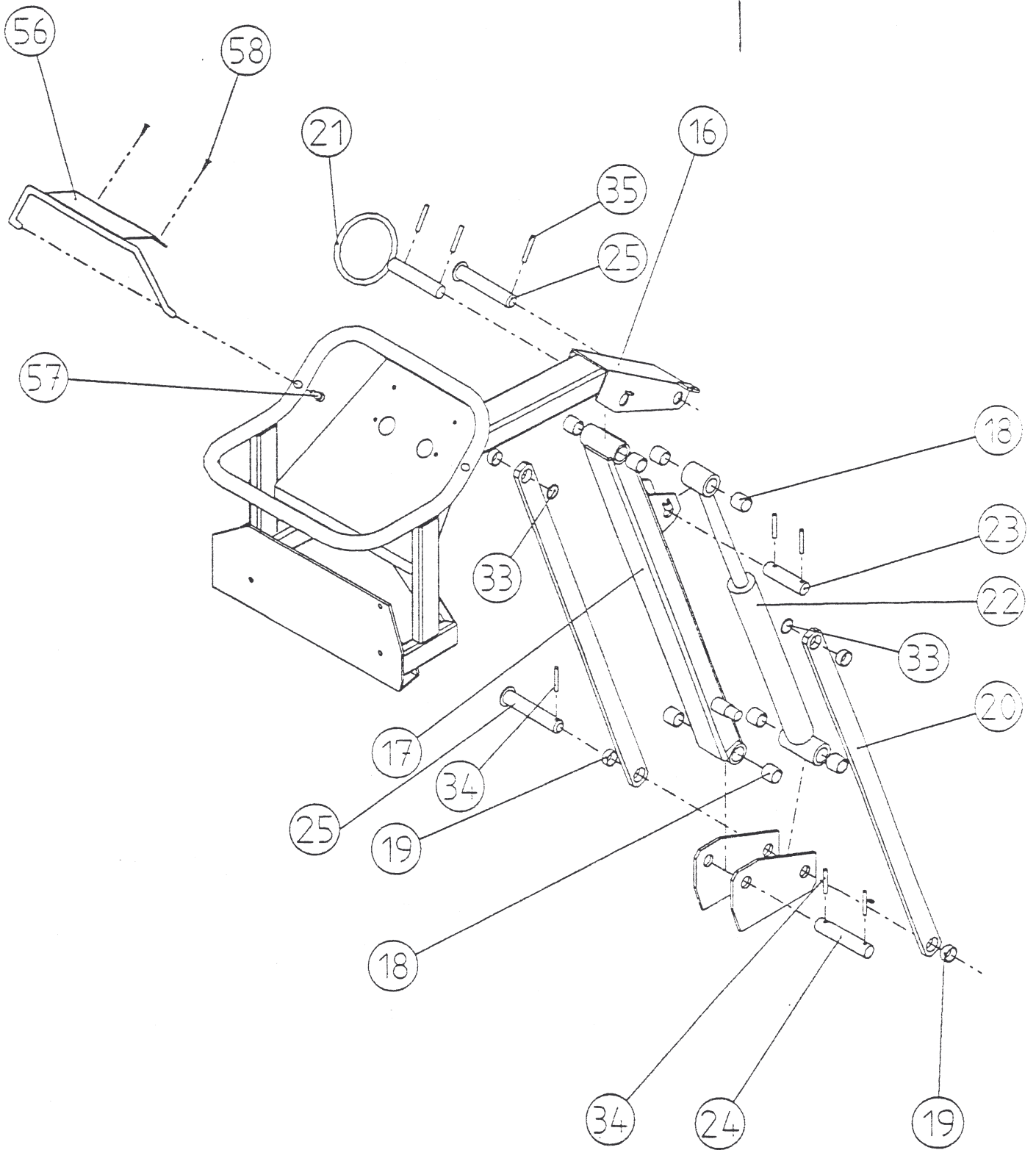
(NOSTOSYLINTERII)





Osa	Osa n tai kokoonpanon nimi	Kpl	Laatu	Muoto, mitat, etand.	Plk. no
Suunn.	18.1.91				
Plirt.	Suhde: 1/11				
Hyv.					
Laitte:			Alhion koko:		
SL 180			Kp/vaihto:		
Osa Vak. syl. ohj. sylinteri			Mees: Br. M.		
ø 50/30 x 380,5			Vanha plk. no		
KESLA OY			Plk. no		
KEBÄLÄITTI			28408001		

ALARUNGON VARUSTELU - KOHTA A



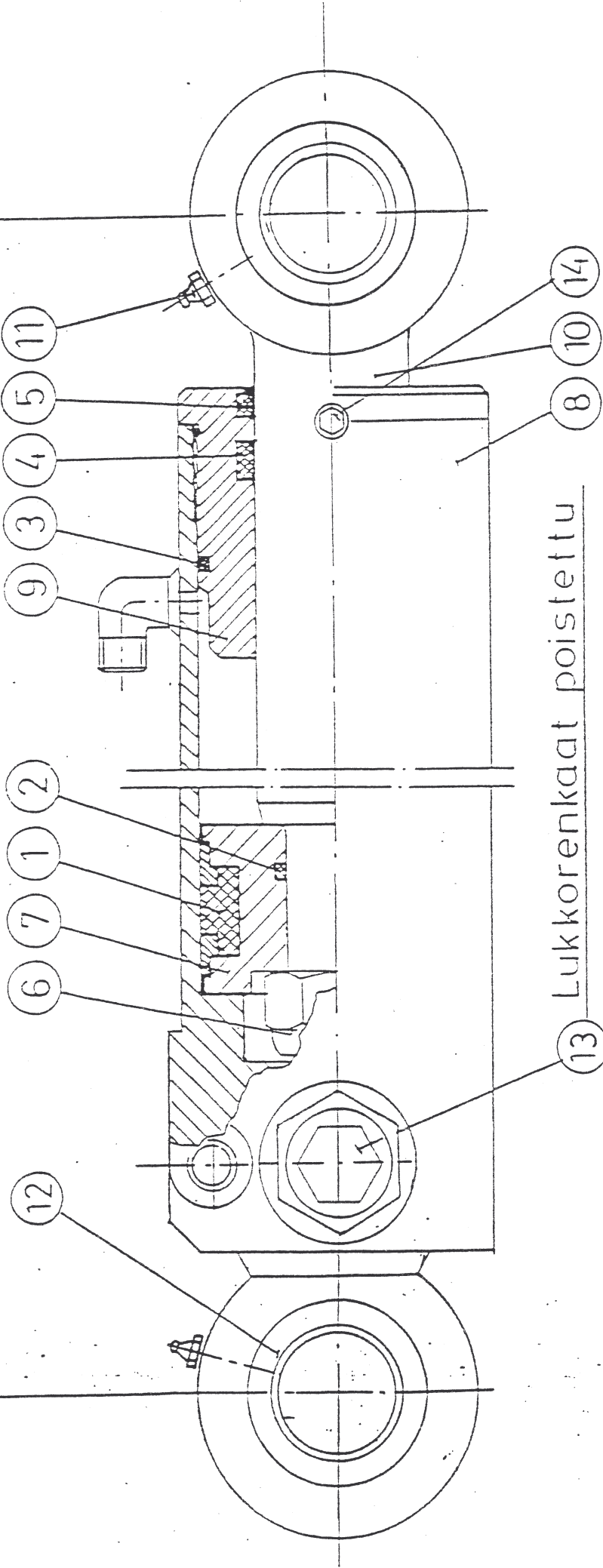
SCANLIFT SL 180

6. BASE FRAME COMPLETE

<u>Item</u>	<u>Part No</u>	<u>Description</u>	<u>Qty</u>
35	3040001	Roll pin 6 x 50 zn DIN 1481	2
36	21035683	Cover	1
37	21035732	Cover, Equipment case	1
38	21035733	Middle cover	1
41	3010090	Hex. screw M8 x 16 8.8 zn DIN 933	4
42	3030025	Washer M8 zn DIN 126	4
43	3010478	Hex. screw M5 x 10 8.8 zn DIN 933	5
44	3030071	Washer M5 zn DIN 126	5
45	3280300	Decal, voltage	1
46	3280288	Decal, Drive-valve operating	1
47	3280287	Decal, Annual inspection	1
48	3280286	Decal, Product identification	1
49	3070007	Tack rivet 3,2 x 9	8
50	21035546	Transport support assembly	1
51	21035697	Bracket for elec. box	1
52	3010043	Hex. screw M6 x 10 8.8 zn DIN 933	2
53	3030067	Spring washer M6 zn DIN 127	2
54	3010024	Hex. screw M16 x 410 8.8 zn DIN 933	4
55	3030007	Spring washer M16 zn DIN 127	4
56	21036084	Cover	1
57	3010192	Socket hd screw M10 x 20 8.8 zn DIN 912	2
58	3010350	Plate screw 3,5 x 16 DIN 7971	2
59	21035772	Cogged rimbearing	1
60	3010592	Hex. screw M16 x 90 10.9 DIN 931	18
61	3030007	Spring washer M16 zn DIN 127	18
62	3010661	Hex. screw M20 x 70 10.9 DIN 931	14
63	3030008	Spring washer M20 zn DIN 127	14
64	3050017	Grease nipple M8 straigh	2

min 750

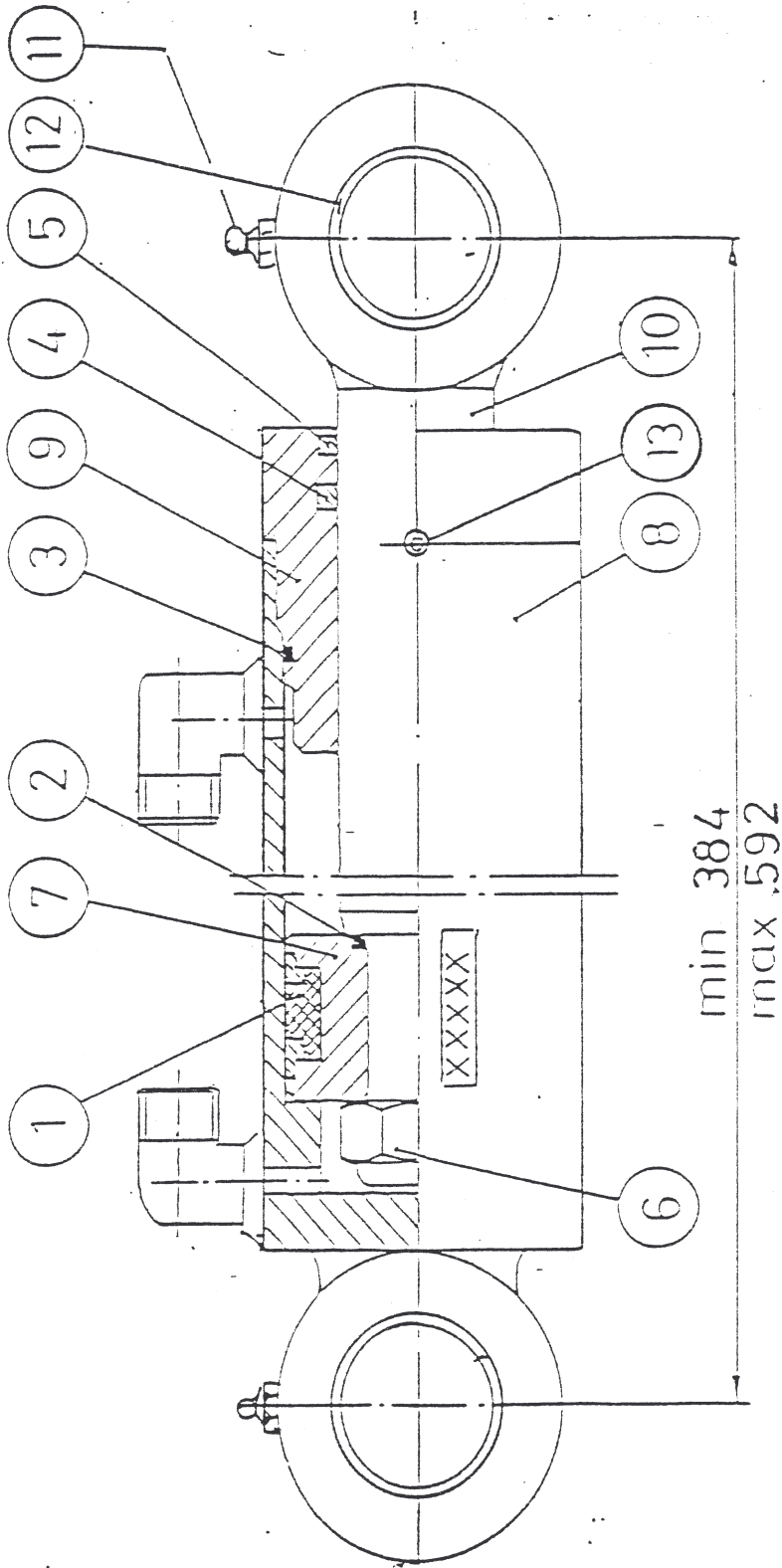
max 1237



Lukkorenkaat poistettu

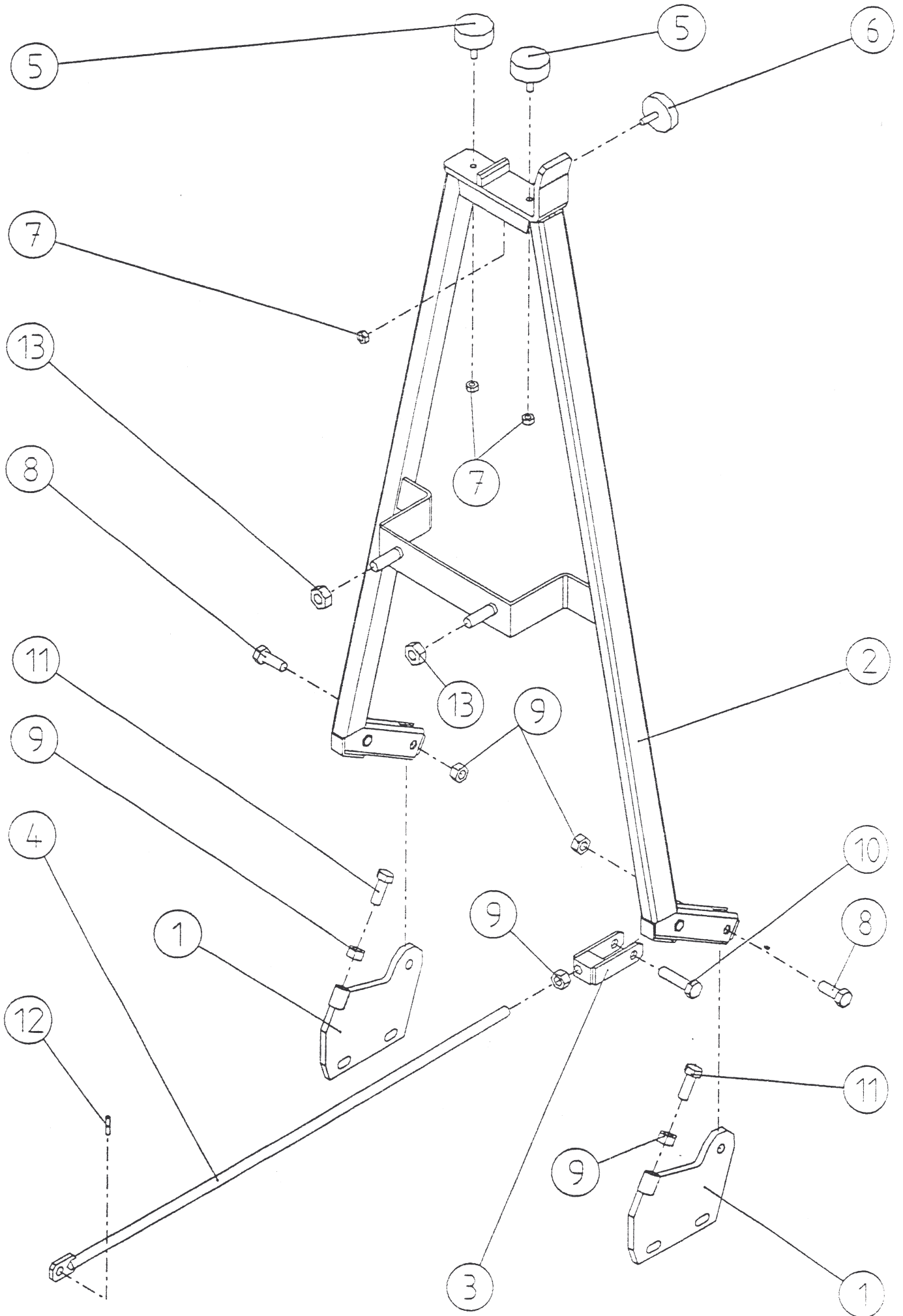
Osa	Osaen tai kokoonpanon nimi	Kpl	Laatu	Muoto, mitat, stand.	Plk. no
Buunn.	SLV-91				
Plirt.					
Hyv.					
Lalle:		Alhion koko:			
SL 180		Kp/vaihlo:			
Osa Tukij. sylinteri		Mees: Br.			M.
Ø 80/50x487		Vanha plk. no			
KESLAIDY KEBÄLÄITTI		Plk. no			28413001

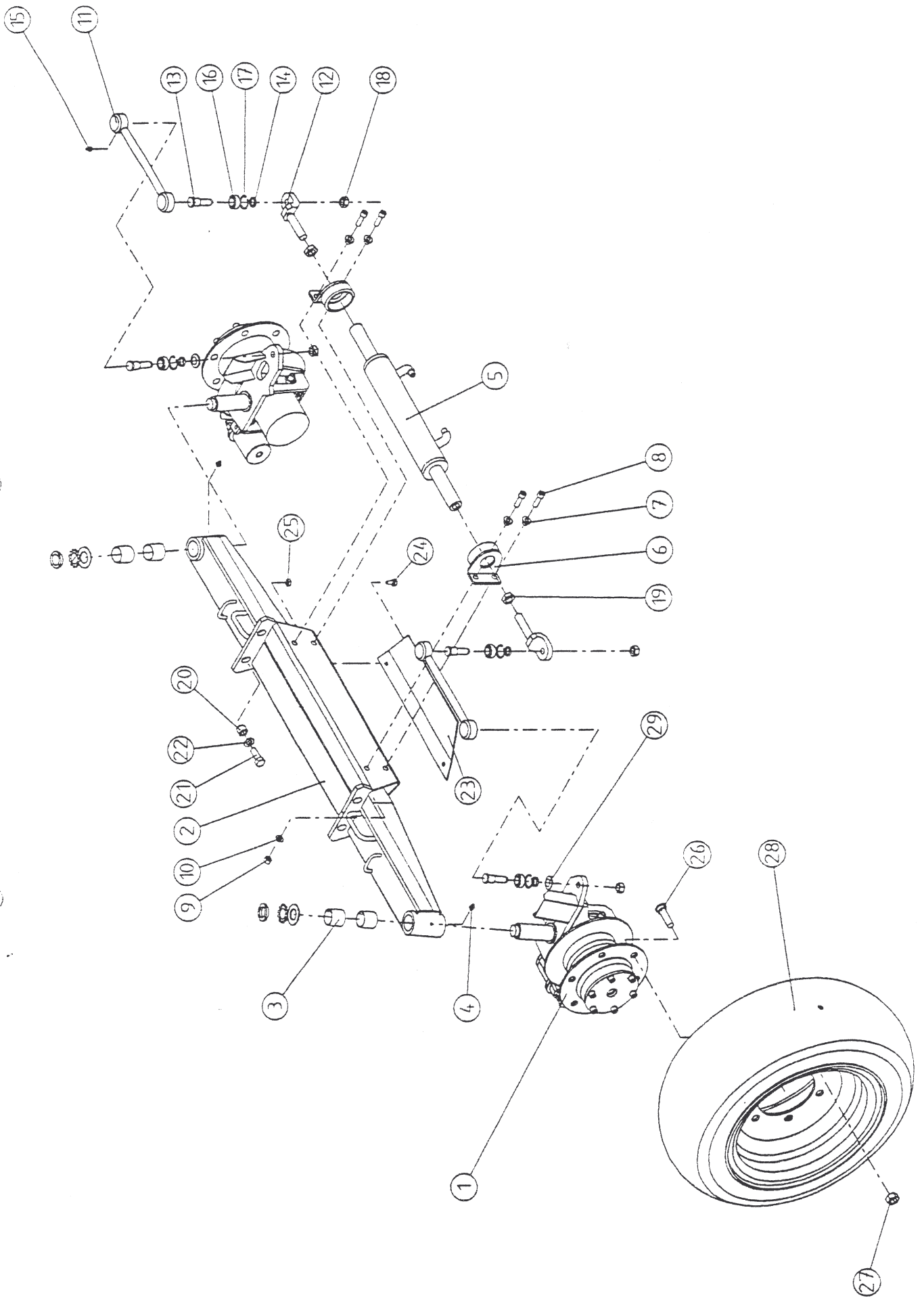
Pvm	Itimi	Muutos	Merkin	Välkky-
11.3-92	RA	R-MP-	SUNNAT.	ETI
				X

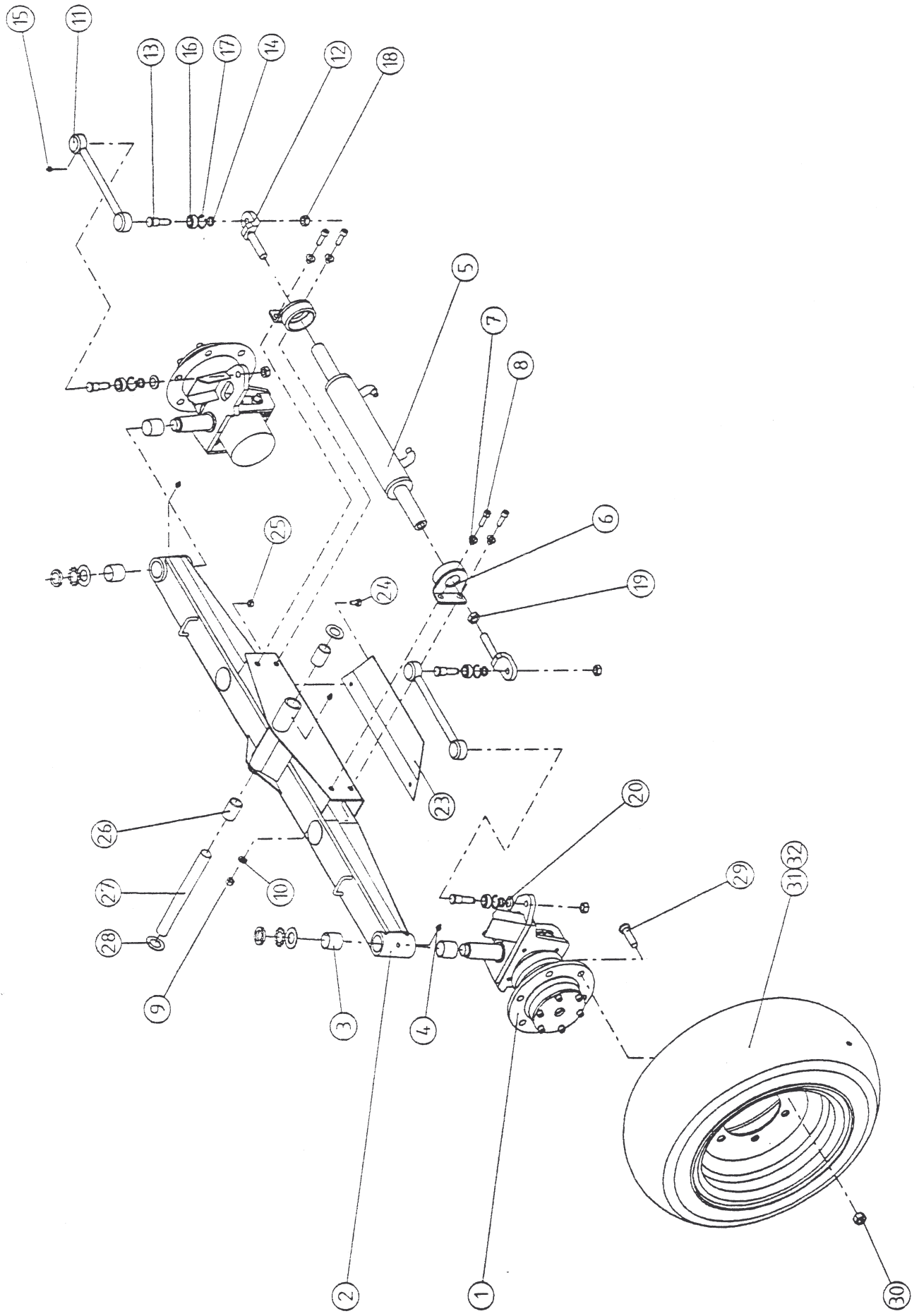


Osa	Osaon tai kokonaisuuden nimi	Kpl	Laatu	Muoto, mitat, standard.	Piir. no
Synty	62.91	11			
Pila	Subide:				
tyy.					
KEKOLA OY KESÄLAHTI					
SL 180 Ajovent. sylinteri Ø 32/20 x 208					
Altion koko: KpVaihto: Maas: Br. Verite piir. no Piir. no					
28411001					

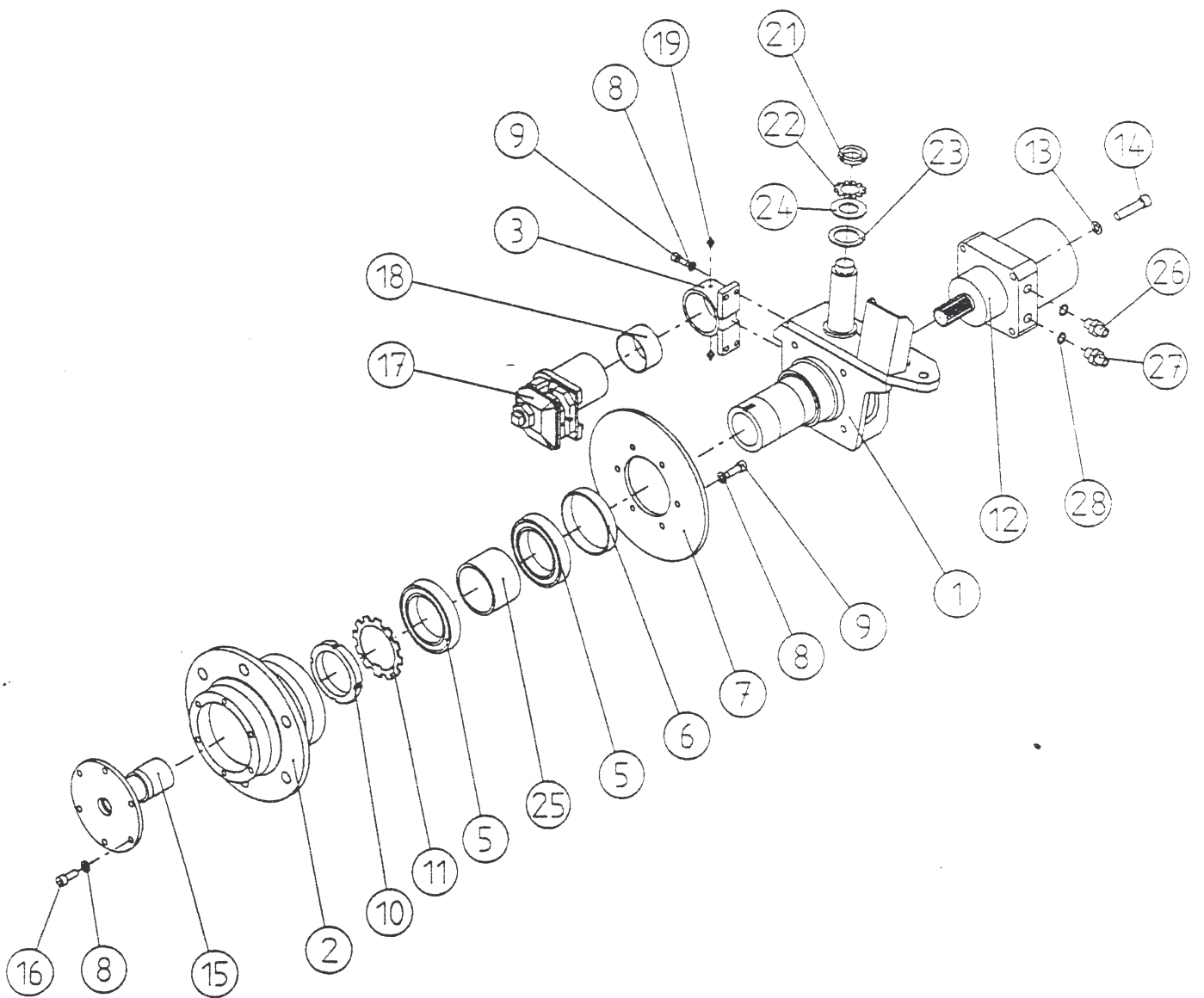
KULJETUSTUKI



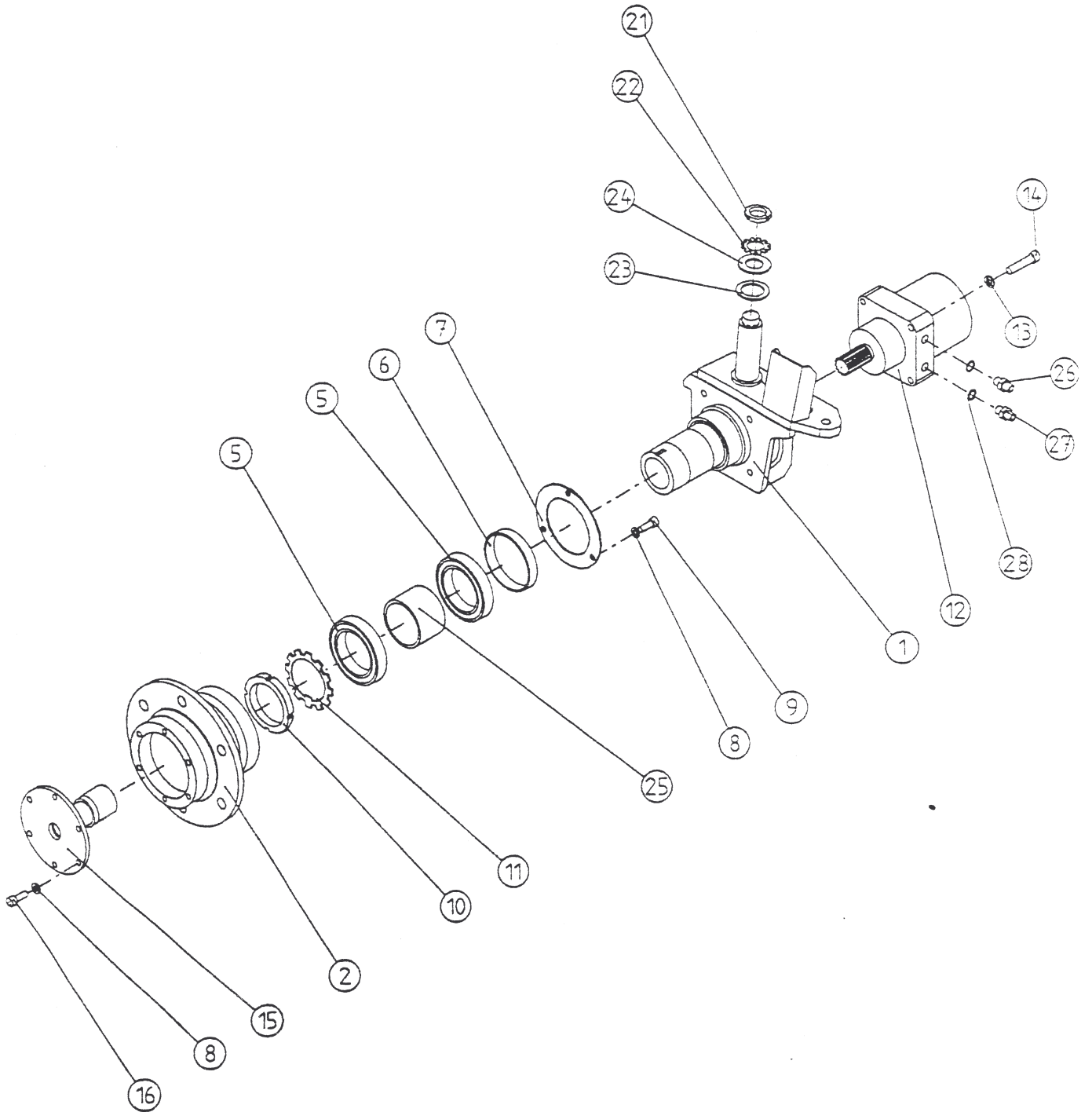


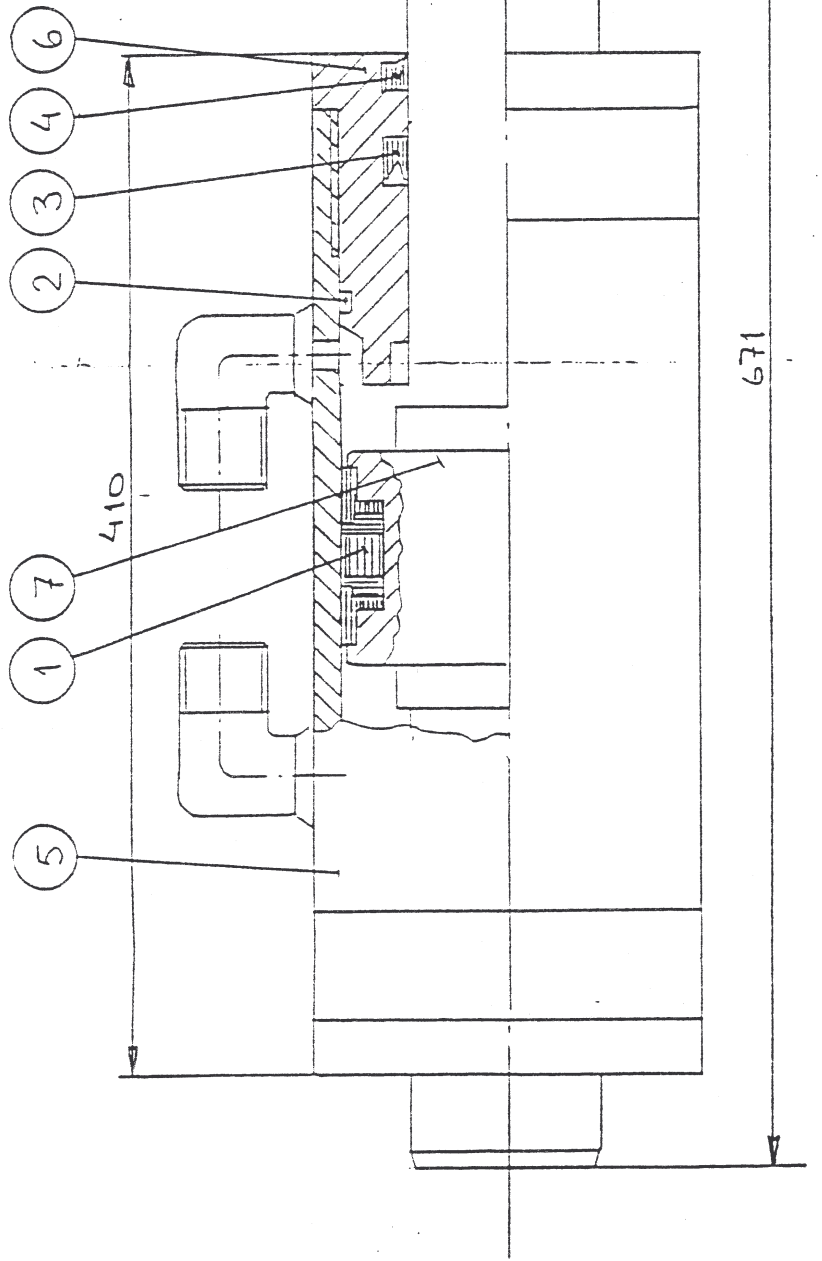


PYÖRÄNNAPA JARRULLINEN



PYÖRÄNNAPA JARRUTON





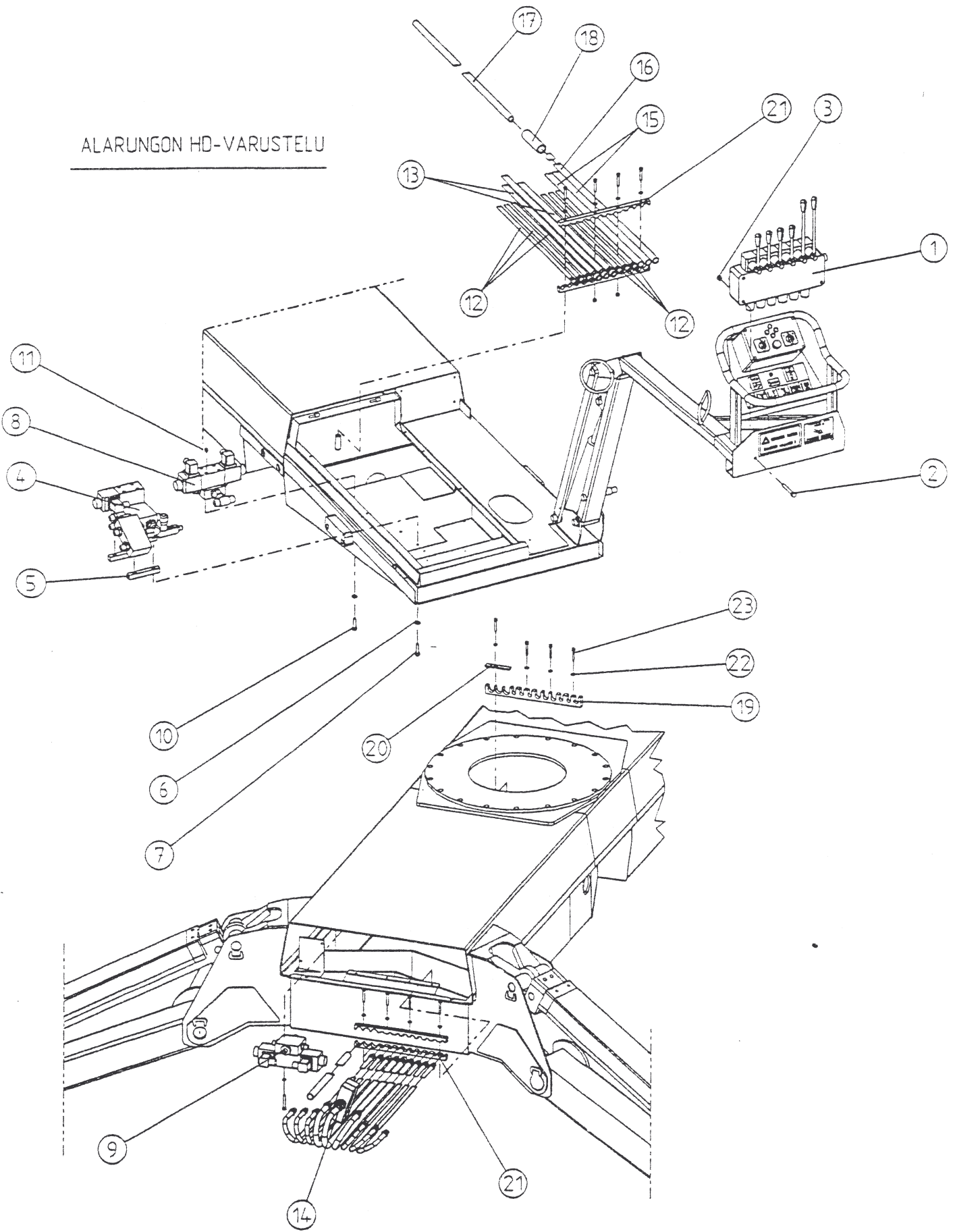
Pos	Laatu	Suhde	Muoto rivit, stand.	Kpl	Massa: Br.
Sivunn	21.90	8H	Laitte		Mt.
Pik.			Henkilönostin SI.180		Aillon koko:
Hv.			Kokoonpano		Kp/aiho:
					Varhe pik. no
					Pik. no

Nimi	Muoto	Messu	Vaihtokelp. sähk.
			Kpl
			E

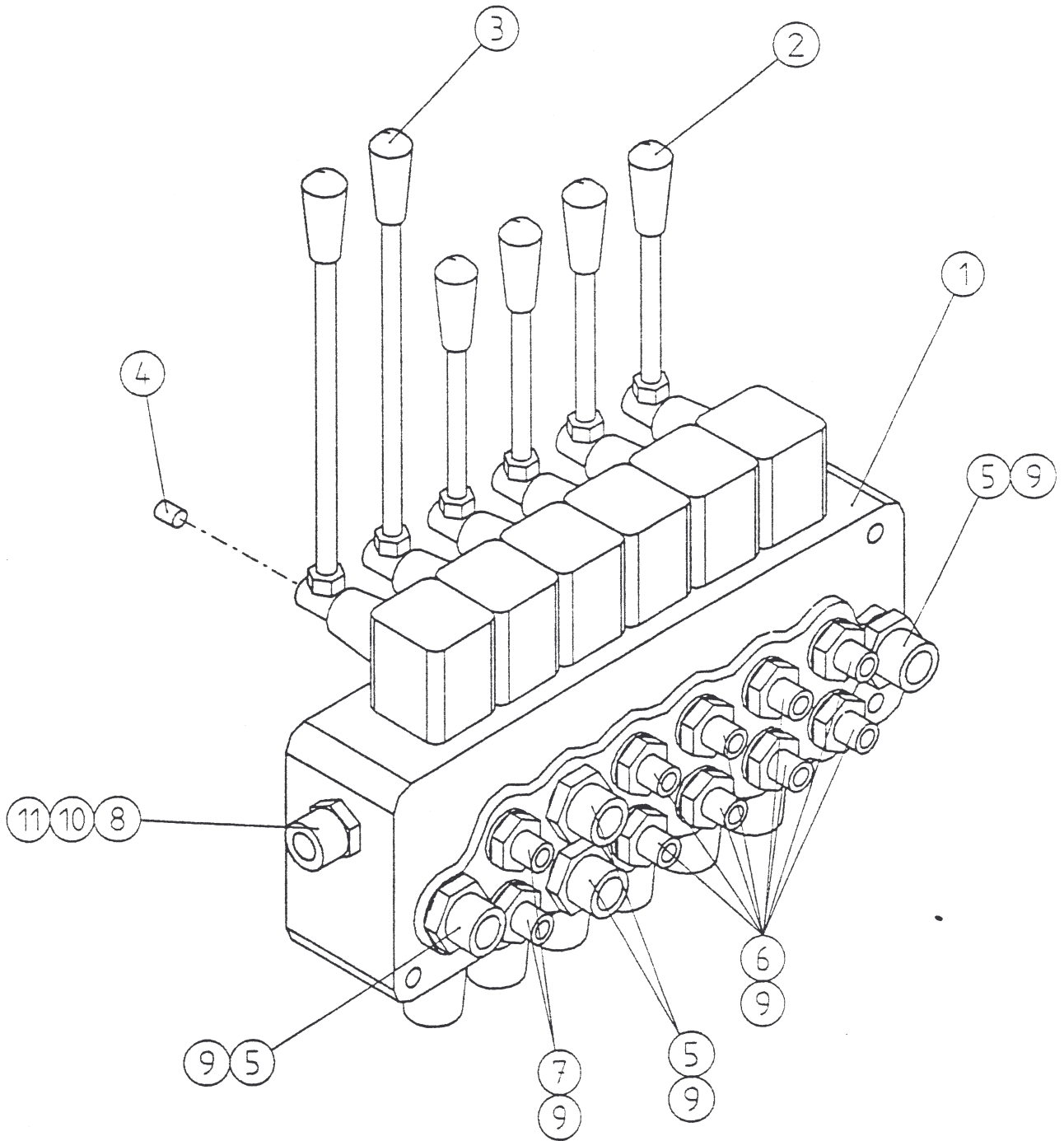
KESLA

01200500110001 11240098 1784170001

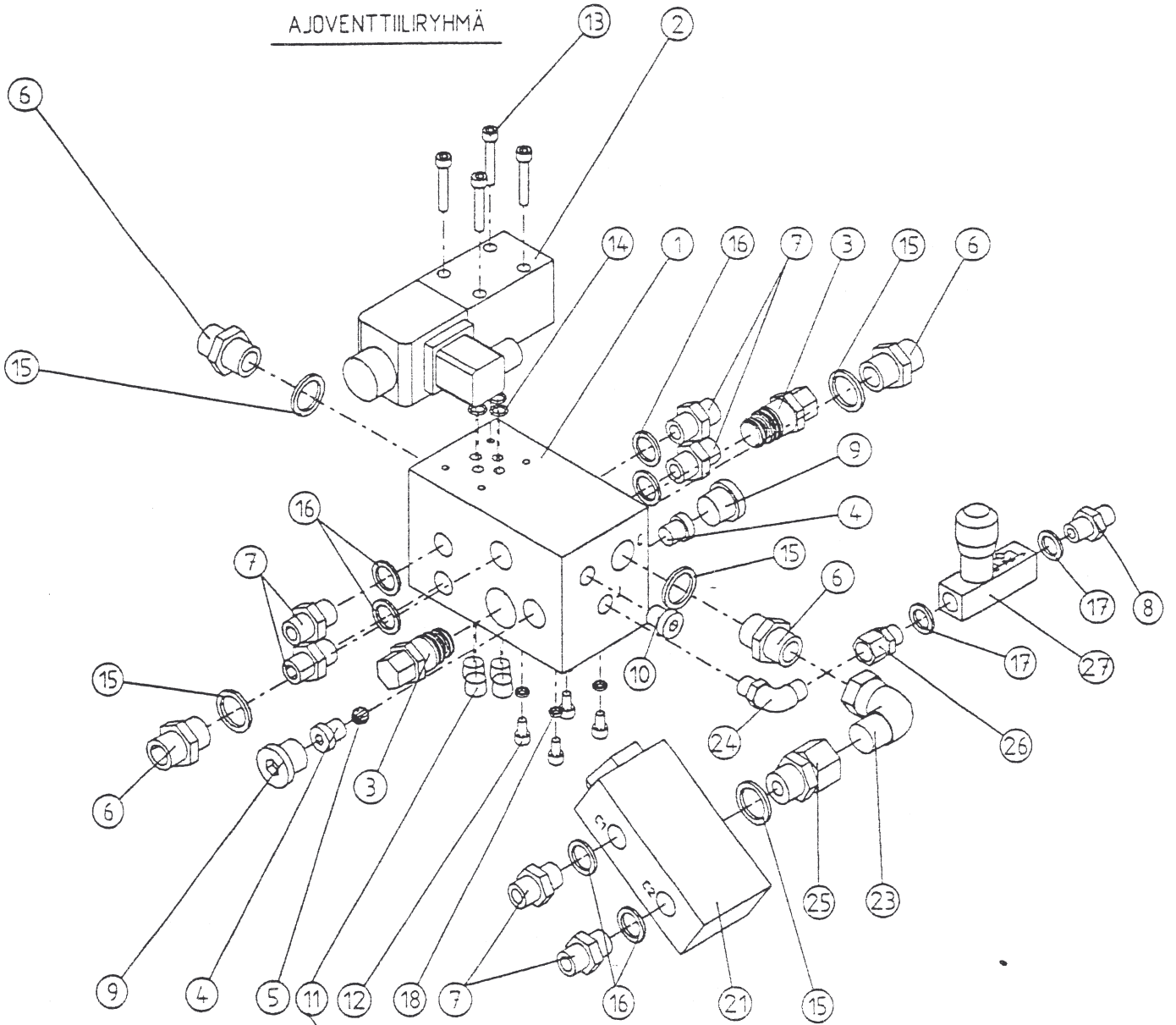
ALARUNGON HD-VARUSTELU



AJO-OHJAUSVENTTIILIN VARUSTELU



AJOVENTTILIRYHMÄ

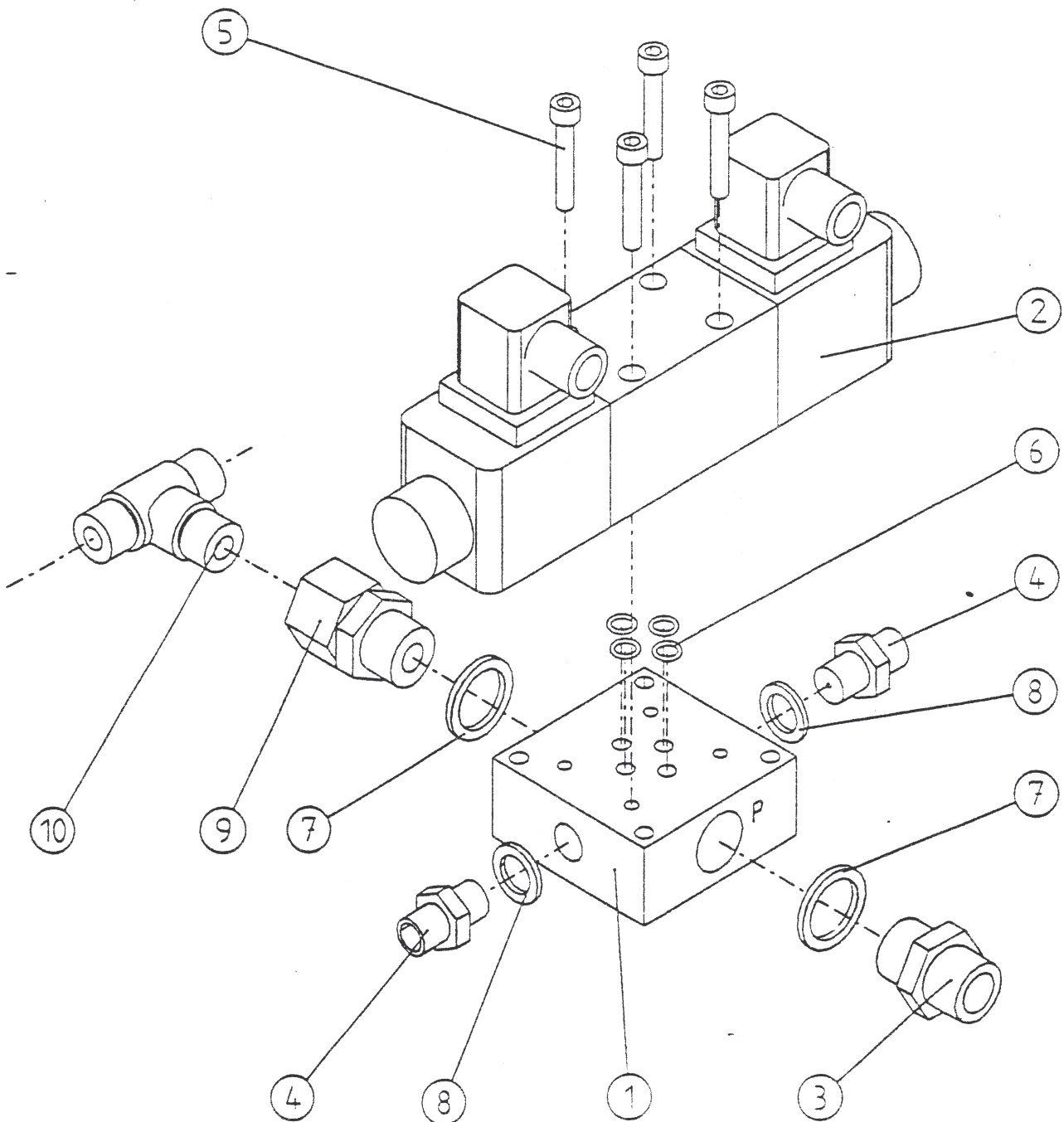


Locktite
tiivistus

SCANLIFT SL 180

8.3 SOLENOID OPERATED DIRECTIONAL VALVE ASSEMBLY 1.(BASE FRAME)

<u>Item</u>	<u>Part No</u>	<u>Description</u>	<u>Qty</u>
1-10	21035879	Valve assembly complete	1
1	21035880	Body	1
2	3120349	Solenoid valve, direct acting	1
3	3090019	Double nipple 04000-08	1
4	21035968	Restrictor R 1/4 D=0.5	2
5	3010263	Socket hd screw M5 x 35 10.9 zn DIN 912	4
6	3110158	O-ring 8.73x1.78 90 Shore	4
7	3110042	Bonded seal Usit R1/2"	2
8	3110041	Bonded seal Usit R1/4"	2
9	3090199	Connector 04010-08-08	1
10	3090201	T-nipple 04860-08	1



SCANLIFT SL 180

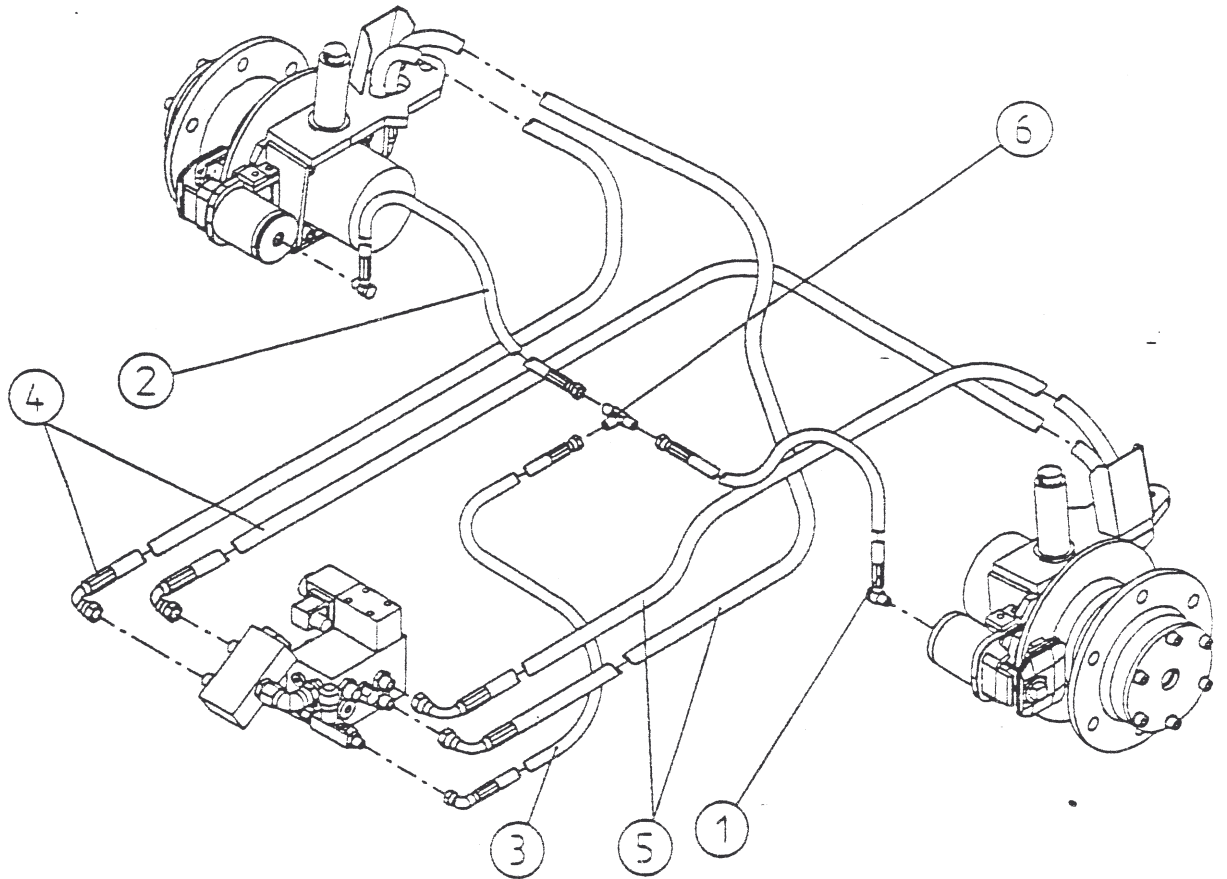
8.4 SOLENOID OPERATED DIRECTIONAL VALVE ASSEMBLY 2.(BASE FRAME)

<u>Item</u>	<u>Part No</u>	<u>Description</u>	<u>Qty</u>
1-8	21035881	Valve assembly complete	1
1	21035880	Body	1
2	3120349	Solenoid valve, direct acting	1
3	3090174	Reducing nipple 04000-04-08	2
4	3090158	Double nipple 04000-04	2
5	3010263	Socket hd screw M5 x 35 10.9 zn DIN 912	4
6	3110158	O-ring 8.73x1.78 90 Shore	4
7	3110042	Bonded seal Usit R1/2"	2
8	3110041	Bonded seal Usit R1/4"	2

SCANLIFT SL 180

8.6 HOSE SET FOR WHEEL HUB WITH BRAKES (HYDRAULIC EQUIP./BASE FRAME)

<u>Item</u>	<u>Part No</u>	<u>Description</u>	<u>Qty</u>
1	3130869	5701-04/HI98-04/Banjol/4"	L=1100 1
2	3130772	5701-04/Tractor 1AST-1/4"/Banjol/4"	L=800 1
3	3130868	5701-04/HI98-04/5751-04	L=1150 1
4	3130777	5751-06/HI98-06/5729-06, 180°	L=1700 2
5	3130763	5751-06/HI98-06/5729-06	L=1700 2
6	3090223	T-connector 04860-04	1



SCANLIFT SL 180

8.7 HOSE SET FOR OUTRIGGERS (HYDRAULIC EQUIPMENT FOR BASE FRAME)

<u>Item</u>	<u>Part No</u>	<u>Description</u>	<u>Qty</u>
1	3130766	5760-04/Tractor 1AST-1/4"/banjo1/4" L=3700	4
2	3130772	5701-04/Tractor 1AST-1/4"/banjo1/4" L=800	2
3	3130773	5701-04/Tractor 1AST-1/4"/banjo1/4" L=1300	2
4	3130767	5760-04/Tractor 1AST-1/4"/5701-04 L=2400	4

SCANLIFT SL 180

8.8 HOSE SET FOR STEERING CYLINDERS (HYDRAULIC EQUIP./ BASE FRAME)

<u>Item</u>	<u>Part No</u>	<u>Description</u>	<u>Qty</u>
1	3130768	5760-04/Tractor 1AST-1/4"/5701-04 L=3100	1
2	3130767	5760-04/Tractor 1AST-1/4"/5701-04 L=2400	1
3	3130775	5701-04/Tractor 1AST-1/4"/5701-04 L=1150	1
4	3130770	5701-04/Tractor 1AST-1/4"/5751-04 L=1900	2
5	3130771	5701-04/Tractor 1AST-1/4"/5751-04 L=550	2

SCANLIFT SL 180

8.9 HOSE SET 1 FOR BASE FRAME (HYDRAULIC EQUIPMENT FOR BASE FRAME)

<u>Item</u>	<u>Part No</u>	<u>Description</u>	<u>Qty</u>
1	3130759	5751-08/HI-98-08/5729-08 L=3000	1
2	3130758	5760-08/HI-98-08/5701-08 L=2400	1
3	3130756	5751-08/HI-98-08/5760-08 L=5100	1
4	3130865	5760-08/HI-98-08/5751-08 L=3000	1
5	3130866	5751-04/HI-98-04/5701-04 L=1400	2
6	3130867	5701-04/HI-98-04/5701-04 L=1250	1

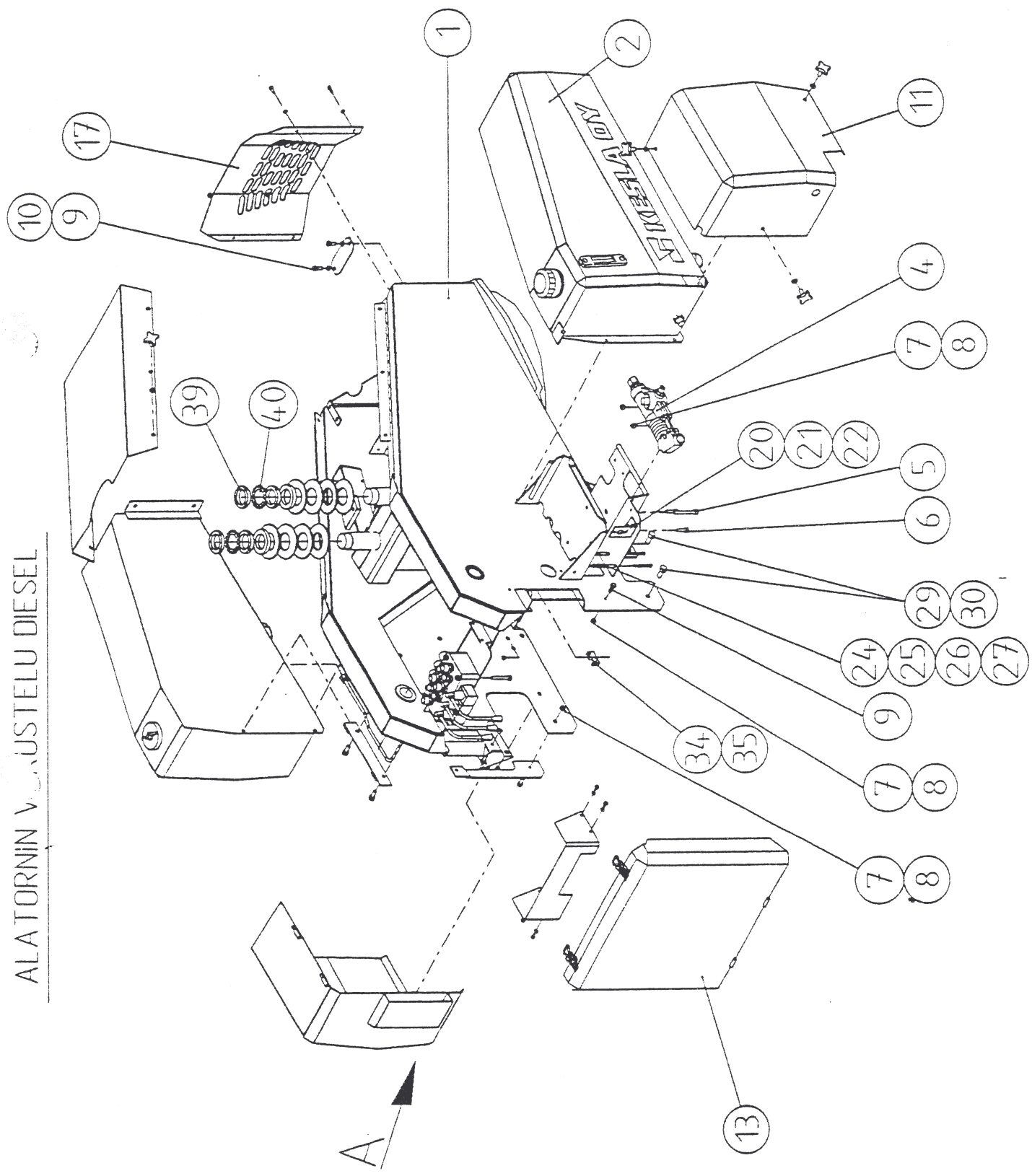
SCANLIFT SL 180

8.10 HOSE SET 2 FOR BASE FRAME (HYDRAULIC EQUIPMENT FOR BASE FRAME)

<u>Item</u>	<u>Part No</u>	<u>Description</u>	<u>Qty</u>
1	3130760	5751-08/HI-98-08/5760-08/180° L=2800	1
2	3130776	5751-08/HI-98-08/5760-08/180° L=2400	1
3	3130864	5760-08/HI-98-08/5701-08 L=290	1
4	3130762	5751-06/HI-98-06/5701-06 L=460	2
5	3130764	5701-06/HI-98-06/5729-06 L=2000	2
6	3130765	5701-06/HI-98-06/5751-06 L=2000	2

9. LOWER TURNTABLE ASSEMBLY

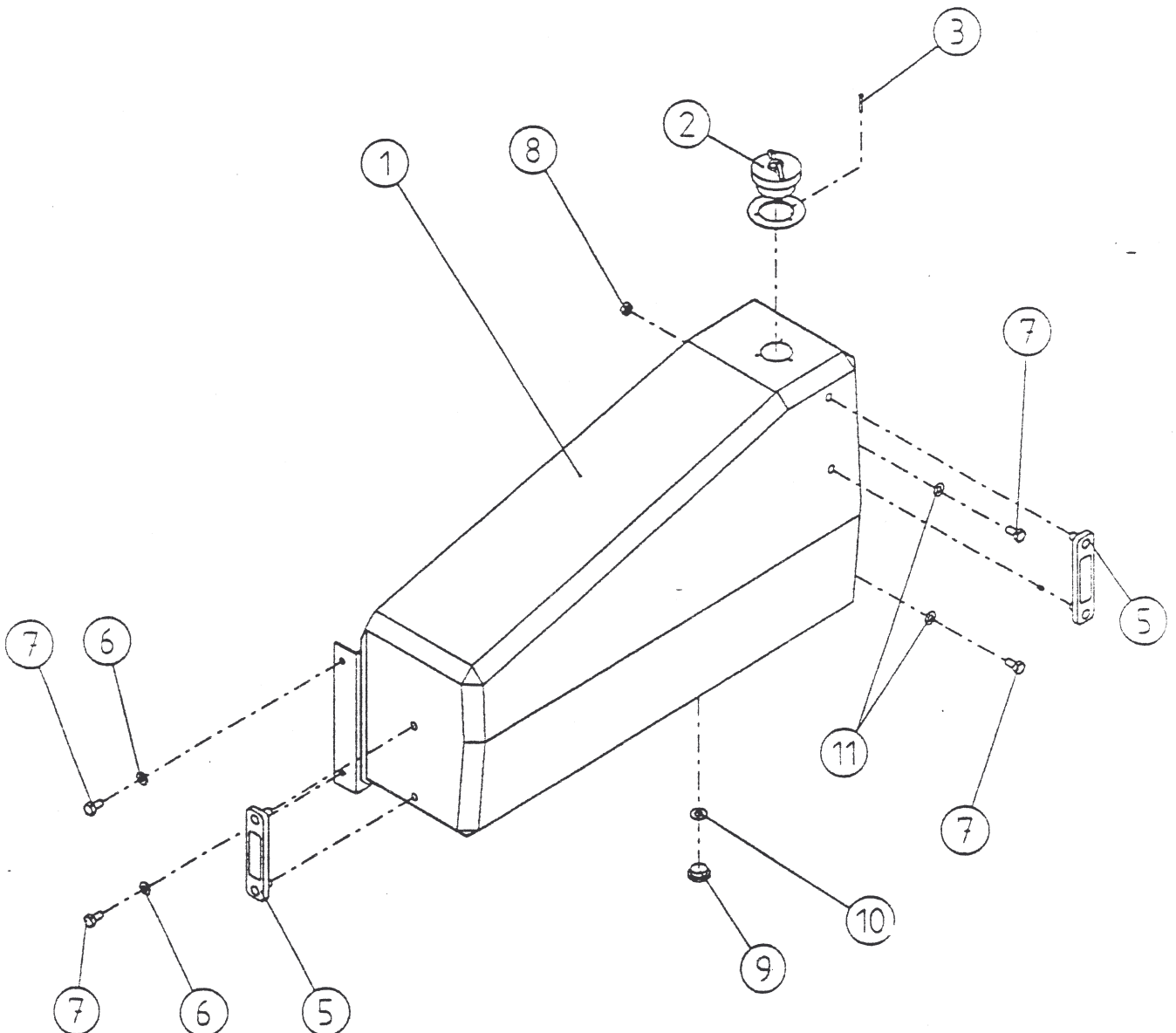
ALATORNIN V. RUSTELU DIESEL



SCANLIFT SL 180

9.2 FUEL TANK ASSEMBLY

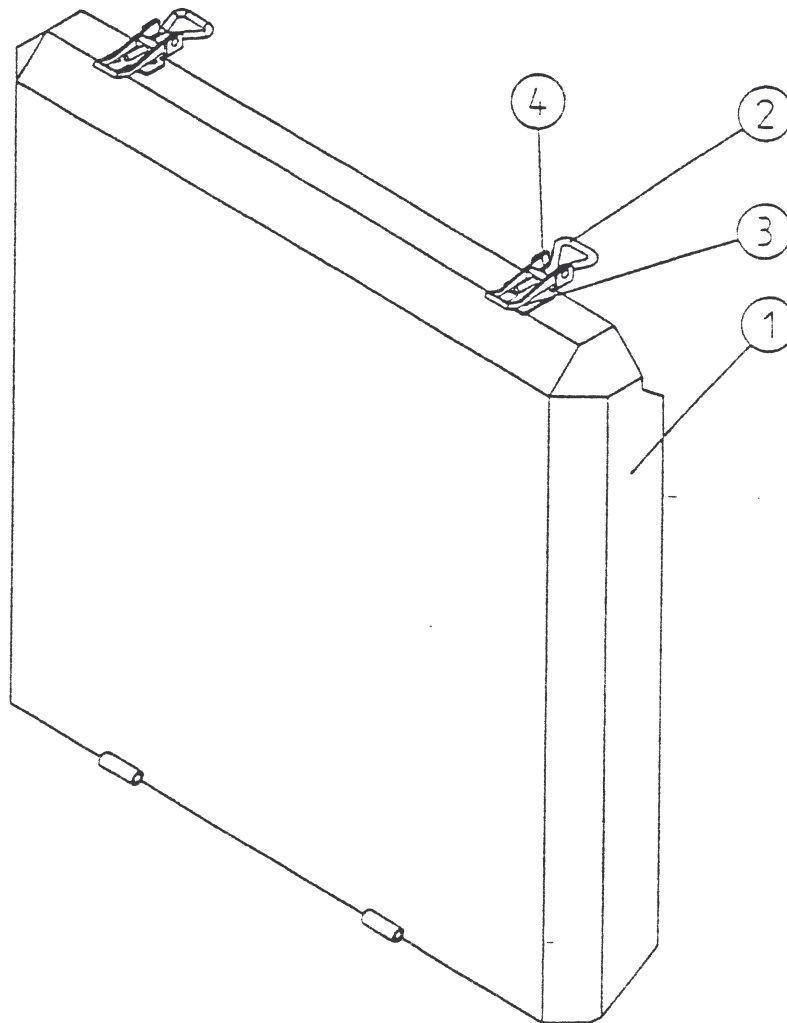
<u>Item</u>	<u>Part No</u>	<u>Description</u>	<u>Qty</u>
1-11	21035776	Fuel tank assembly complete	1
1	21035861	Fuel tank	1
2	3090514	Filler cap PERKO 1313 lockable	1
3	3010680	Self-tapping screw 5 x 10 zn DIN 965	3
4	3290032	Sealing compound Würth Silicon Spez. 250	(1)
5	3090513	Sight gauge UC-FC-213 (M12/127)	2
6	3030118	Washer M10 zn DIN 9021	2
7	3010062	Hex. screw M10 x 20 8.8 zn DIN 933	4
8	3020004	Hex. nut M10 zn DIN 985	2
9	3090212	Allen plug HF-1/2"	1
10	3030058	Copper washer R 1/4"	1
11	3030047	Washer M12 zn DIN 126	2



SCANLIFT SL 180

9.4 HOOD COMPLETE

<u>Item</u>	<u>Part No</u>	<u>Description</u>	<u>Qty</u>
1-4	21036548	Hood complete	1
1	21036130	Hood	1
2	3300536	Catch 7026	2
3	3070006	Tack rivet 5 x 12	4
4	3020087	Hex. nut M5 zn DIN 934	2



SCANLIFT SL 180

9. LOWER TURNTABLE ASSEMBLY

<u>Item</u>	<u>Part no</u>	<u>Description</u>	<u>Qty</u>
1	21036046	Lower turntable	1
2	21035775	Oil tank assembly	1
3	21035776	Fuel tank assembly	1
4	21036147	Emergency lowering pump assembly	1
5	3010004	Hex. screw M8 x 70 8.8 zn DIN 931	1
6	3010323	Hex. screw M8 x 30 8.8 zn DIN 933	2
7	3020001	Hex. nut M8 zn DIN 985	9
8	3030025	Washer M8 zn DIN 126	13
9	3010014	Hex. screw M8 x 20 8.8 zn DIN 933	5
10	3030043	Spring washer M8 zn DIN 127	2
11	21035778	Battery huosing cover	1
12	21036139	Cover 2	1
13	21036548	Hood complete	1
14	21036133	Clamp	1
15	21036551	Cover clamp	1
16	21036137	Hinge bracket	1
17	21036146	Grid mask	1
18	21036153	Cover 1	1
19	21035780	Plate	1
20	21036154	Bracket for electric main switch	1
21	3010038	Hex. screw M6x16 8.8 zn DIN 933	6
22	3020061	Hex. nut M6 zn DIN 985	3
23	3030084	Washer M6 zn DIN 126	4
24	21036260	Bushing 8x6-25	2
25	3010564	Socket hd screw M5x60 zn 8.8 DIN 912	2
26	3020087	Hex. nut M5 zn DIN 934	4
27	3030071	Washer M5 zn DIN 125	4
28	3010062	Hex. screw M10 x 20 8.8 zn DIN 933	3
29	3010442	Hex. screw M12 x 25 8.8 zn DIN 933	4
30	3030018	Spring washer M12 zn DIN 127	6
31	3010087	Hex. screw M12 x 40 8.8 zn DIN 933	2
32	21036163	Fuel inlet pipe	1
33	21036166	Fuel outlet pipe	1
34	21035790	Fuel / Gas hose clamp	1
35	3010338	Hex. screw M6 x 40 8.8 zn DIN 931	1

SCANLIFT SL 180

9. LOWER TURNTABLE ASSEMBLY

<u>Item</u>	<u>Part no</u>	<u>Description</u>	<u>Qty</u>
36	3010651	Finger screw SR 4022 M8 22S	9
37	3300525	Cup spring SF-TAF 100x51x6 DIN 2093	8
38	21035787	Adjusting plate	2
39	3020128	Collar nut KM 9	4
40	3030115	Lock washer MB 9	2
41	3010043	Hex. screw M6 x 10 8.8 zn DIN 933	4
42	3030084	Washer M6 zn DIN 126	4
43	21036242	Cover for control valve	1
44	21036158	Control valve assembly	1
45	3010164	Hex. screw M8 x 60 8.8 zn DIN 931	3

10. HYDRAULIC EQUIPMENT FOR TURNTABLE

SCANLIFT SL 180

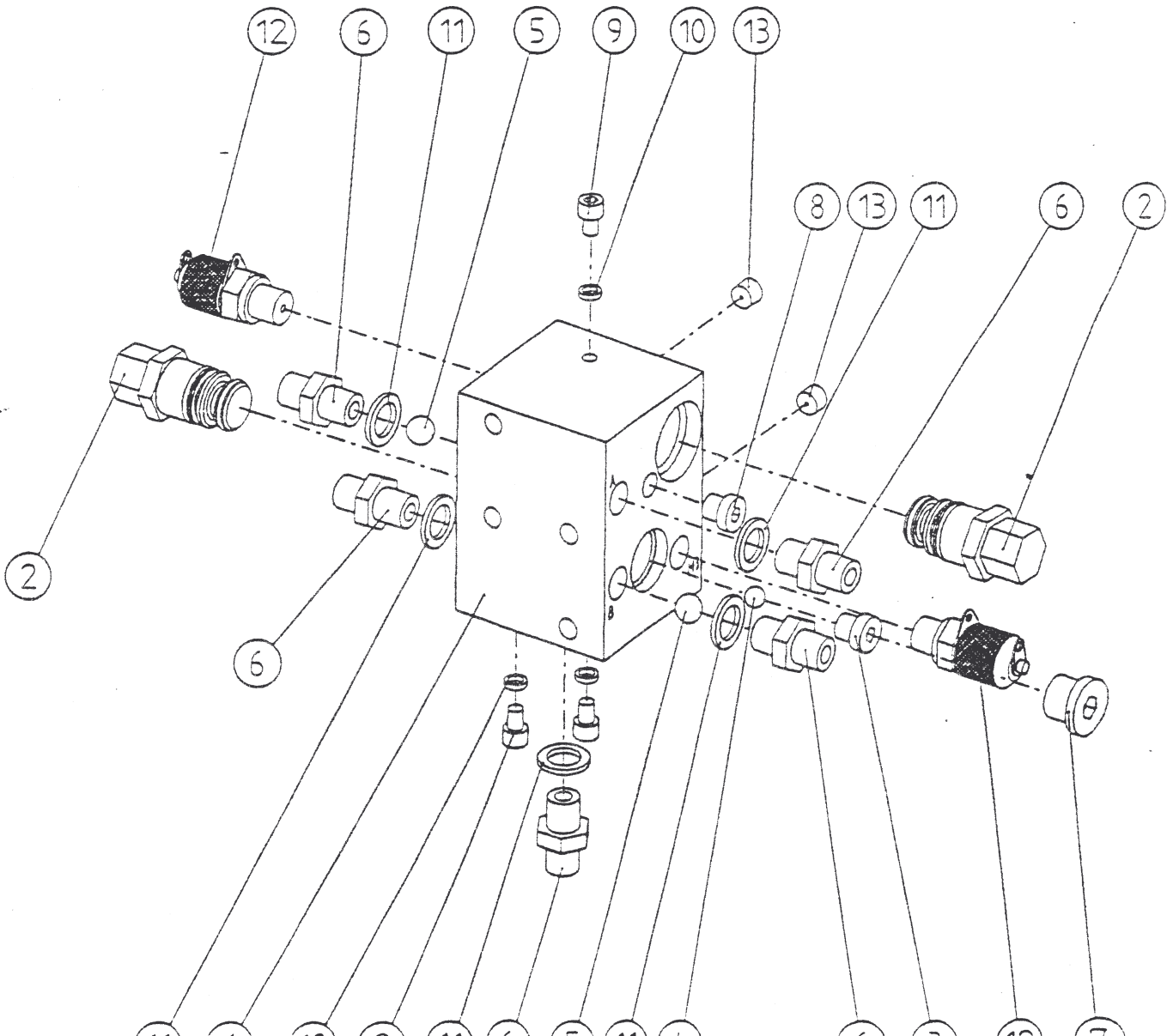
10.1 SLEWING GEAR COMPLETE (HYDRAULIC EQUIPMENT FOR TURNTABLE)

<u>Item</u>	<u>Part No</u>	<u>Description</u>	<u>Qty</u>
1-21	21035109	Slewing gear complete	1
1	3160124	Slewing gear/motor/brake assembly	1
2	21035771	Gear z=17 m=4.5	1
3	21036162	Key	1
4	3010001	Retaining screw M8 x 10 zn DIN 916	2
5	3100232	Needle roller NA 4906.2RS INA	1
6	21035870	Fitting	1
7	3010161	Allen screw M12x30 10.9 DIN 7991	1
8	21035869	Bearing housing	1
9	3050003	Grease nipple M8 zn straight	2
10	21035894	Valve group assembly, slewing motor	1
11	3110117	O-ring 90 Shore 22.2x3.0	2
12	3030043	Spring washer M8 zn DIN127	12
13	3010096	Hex. screw M8 x 80 8.8 zn DIN 931	4
14	3110040	Bonded seal Usit R 3/8"	3
18	3090158	Double nipple 04000-04	1
19	3010660	Stud M8x35 8.8 zn DIN 939	8
20	3020001	Hex. nut M8 zn DIN 985	8
21	3090211	Socket hd plug HF-1/4"	1

SCANLIFT SL 180

10.1.1 VALVE GROUP ASSEMBLY (SLEWING GEAR COMPLETE)

<u>Item</u>	<u>Part No</u>	<u>Description</u>	<u>Qty</u>
1-13	21035894	Valve group assembly complete	1
1	21035895	Body	1
2	3120352	Pressure relief poppet valve VE 06/E-2	2
3	21035885	Counter plug D=8 mm	1
4	3120341	Ball D=8	1
5	3090286	Ball D=11	1
6	3090158	Double nipple 04000-04	5
7	3090210	Allen plug HF-3/8"	1
8	3090208	Allen plug HF-1/8"	1
9	3010593	Socket hd screw M6x8 zn 8.8 DIN 912	3
10	3110402	Bonded seal Usit M6	3
11	3110041	Bonded seal Usit R1/4"	5
12	3090182	Pressure measuring nipple EMA3 R1/4	2
13	21036255	Restrictor Ø 1,5 DIN 906 R 1/8"	2



SCANLIFT SL 180

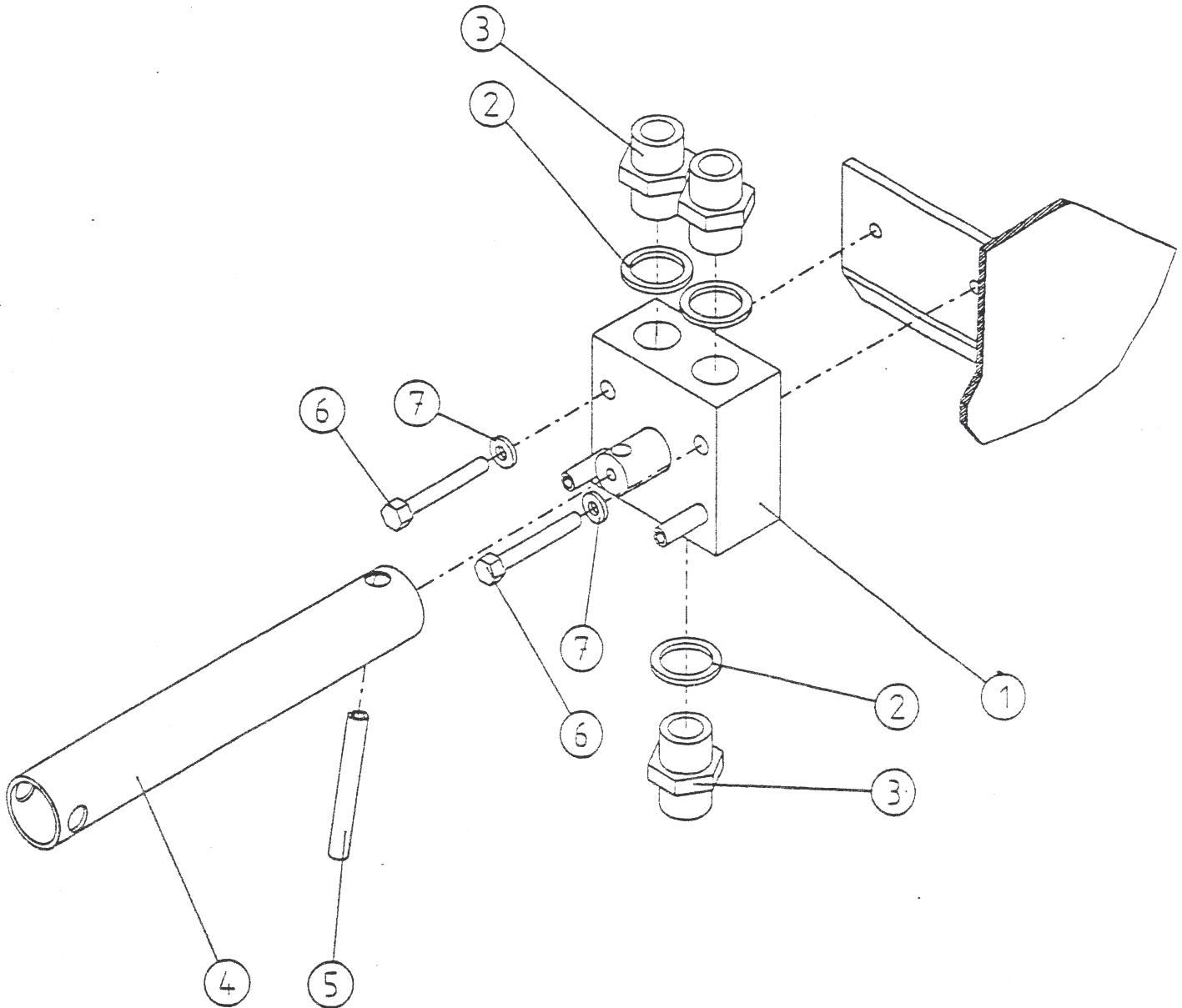
10.1.2 ROTARY DIVIDING COUPLING

<u>Item</u>	<u>Part No</u>	<u>Description</u>	<u>Qty</u>
1-12	21035901	Rotary dividing coupling complete	1
1	21035902	Body	1
2	21035903	Axle	1
3	3110522	Seal, Turn ring 25712-0060-66	3
4	21035904	Lock plate	1
5	3010535	Socket hd screw M5 x 12 8.8 zn DIN 912	4
6	3030071	Washer M5 zn DIN 125	4
7	21035945	Bracket plate	1
8	3010258	Allen screw M8 x 20 10.9 zn DIN 7991	4
9	21035941	Driver plate	1
10	3010014	Hex. screw M8 x 20 zn DIN 933	4
11	3030043	Spring washer M8 zn DIN 127	4
12	3010243	Socket hd plug R 1/4" DIN 906	2
13	3110042	Bonded seal Usit 1/2"	4
14	3090019	Double nipple 04000-08	4
15	3010594	Retaining screw M5x10 8.8 DIN 915	1

SCANLIFT SL 180

10.2 CHANGE-OVER VALVE ASSEMBLY (HYDRAULIC EQUIPMENT FOR TURNTABLE)

Item	Part No	Description	Qty
1-7	21036097	Valve assembly complete	1
1	3120010	Three-way valve KT 1/2"	1
2	3110042	Bonded seal Usit R1/2"	3
3	3090019	Double nipple 04000-08	3
4	21036106	Swing pipe	1
5	3040019	Roll pin 8 x 60 zn DIN 1481	1
6	3010405	Hex. screw M6 x 45 8.8 zn DIN 931	2
7	3030067	Spring washer M6 zn DIN 127	2



SCANLIFT SL 180

10.3 VALVE GROUP 1 ASSEMBLY (HYDRAULIC EQUIPMENT FOR TURNTABLE)

<u>Item</u>	<u>Part No</u>	<u>Description</u>	<u>Qty</u>
1-24	21035883	Valve group 1 assembly complete	1
1	21035884	Body	1
2	3120349	Solenoid valve, direct acting	1
3	3120247	Pressure relief poppet valve VE O6/E-3	1
4	3120248	Cartridge check valve VU LN R3/4"	1
5	21035885	Counter plug D=8 mm	1
6	3120341	Ball D=8	1
7	3090053	Reducing nipple 04000-08-12	1
8	3090019	Double nipple 04000-08	5
9	3090158	Double nipple 04000-04	1
10	3090182	Pressure measuring nipple EMA3 R1/4	1
11	3010243	Allen plug R 1/4" DIN 906	3
12	3090210	Allen plug HF-3/8"	1
14	3010593	Socket hd screw M6x8 zn 8.8 DIN 912	4
15	3010263	Socket hd screw M5 x 35 10.9 zn DIN 912	4
16	3110158	O-ring 8.73x1.78 90 Shore	4
17	3110402	Bonded seal Usit M6	3
18	3110041	Bonded seal Usit R1/4"	2
19	3110042	Bonded seal Usit R1/2"	5
20	3110130	Bonded seal Usit R3/4"	1
21	21036095	Restrictor HF-R 1/4"	1
22	3090212	Allen plug HF-1/2"	1
23	3010447	Hex. screw M8 x 100 8.8 zn DIN 931	2
24	3020001	Hex. nut M8 zn DIN 985	2

SCANLIFT SL 180

10.4 OUTREACH LIMITER MECHANISM COMPLETE (HYDR. EQUIP.FOR TURNTABLE)

<u>Item</u>	<u>Part No</u>	<u>Description</u>	<u>Qty</u>
1	21035924	Operating arm, telescope	1
2	21036116	Operating arm, lift	1
3	21035925	Pin 15-105	1
4	3030126	Washer	6
5	3010594	Retaining screw M5 x 10 zn DIN 915	1
6	3050001	Grease nipple M6 straigh	1
7	21035894	Outreach limiter valve assy, telescope	1
8	21036096	Outreach limiter valve assy, lift	1
9	21036117	Bracket for electric limiter switch	1
10	3010603	Hex. screw M6x100 zn 8.8 DIN 931	3
11	3030084	Washer M6 zn DIN 126	3
12	3020061	Hex. nut M6 zn DIN 985	3
13	3020130	Hex. nut M10 zn DIN 936	7
14	3010042	Hex. screw M10 x 30 8.8 zn DIN 933	3
15	3010013	Hex. screw M10 x 40 8.8 zn DIN 933	2
16	3010679	Hex. screw M10 x 50 8.8 zn DIN 933	2
17	3300535	Coil spring SF-TF 1.8x14x35	2
18	3300527	Shock damper AS 1/4"x1/2"- M M20 x 1,5	1
19	3120418	Pressure compensated flow regulator VCD-RU	1
20	3110040	Bonded seal Usit R 3/8"	2
21	3090052	Reducing nipple 04000-04-06	1
22	3090202	Angle nipple 04510-06	1

SCANLIFT SL 180

10.4.1 OUTREACH LIMITER VALVE ASSEMBLY FOR TELESCOPING

<u>Item</u>	<u>Part No</u>	<u>Description</u>	<u>Qty</u>
1-12	21035898	Valve assembly complete	1
1	3120380	Roller operated directional valve	1
2	21035899	Body, dividing connector	1
3	21035900	Inlet nipple R 3/8"	2
4	3120363	Check valve VU-LN R 3/8"	1
5	3090217	Hex. plug 05420-06	1
6	3090210	Allen plug HF-3/8"	1
7	3010268	Allen plug R 1/8" zn DIN 906	2
8	3010593	Socket hd screw M6x8 zn 8.8 DIN 912	1
9	3110137	O-ring 17.3x2.4 90 Shore	4
10	3090040	Double nipple 04000-06	1
11	3110040	Bonded seal Usit R3/8"	1
12	3110402	Bonded seal Usit M6	1

SCANLIFT SL 180

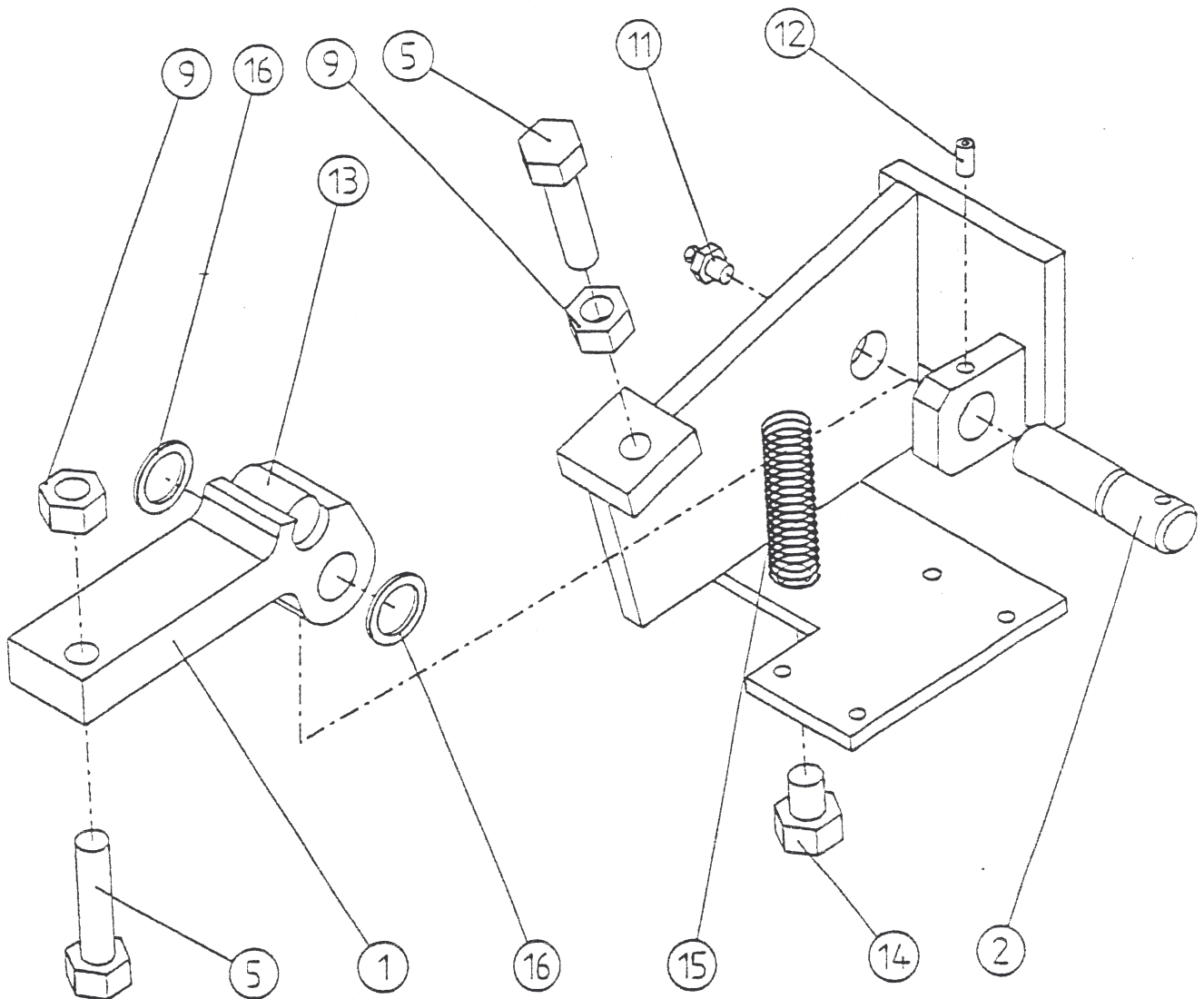
10.4.2 OUTREACH LIMITER VALVE ASSEMBLY FOR LIFTING

<u>Item</u>	<u>Part No</u>	<u>Description</u>	<u>Qty</u>
1-12	21036096	Valve assembly complete	1
1	3120339	Roller operated directional valve	1
2	21035899	Body, dividing connector	1
3	21035900	Inlet nipple R 3/8"	2
4	3120363	Check valve VU-LN R 3/8"	1
5	3090217	Hex. plug 05420-06	1
6	3090210	Allen plug HF-3/8"	1
7	3010268	Allen plug R 1/8" zn DIN 906	2
8	3010593	Socket hd screw M6x8 zn 8.8 DIN 912	1
9	3110137	O-ring 17.3x2.4 90 Shore	4
10	3090040	Double nipple 04000-06	1
11	3110040	Bonded seal Usit R3/8"	1
12	3110402	Bonded seal Usit M6	1

SCANLIFT SL 180

10.5 RESERVE LIMITER SWITCH FOR OUTREACH (HYDR. EQUIP. FOR TURNTABLE)

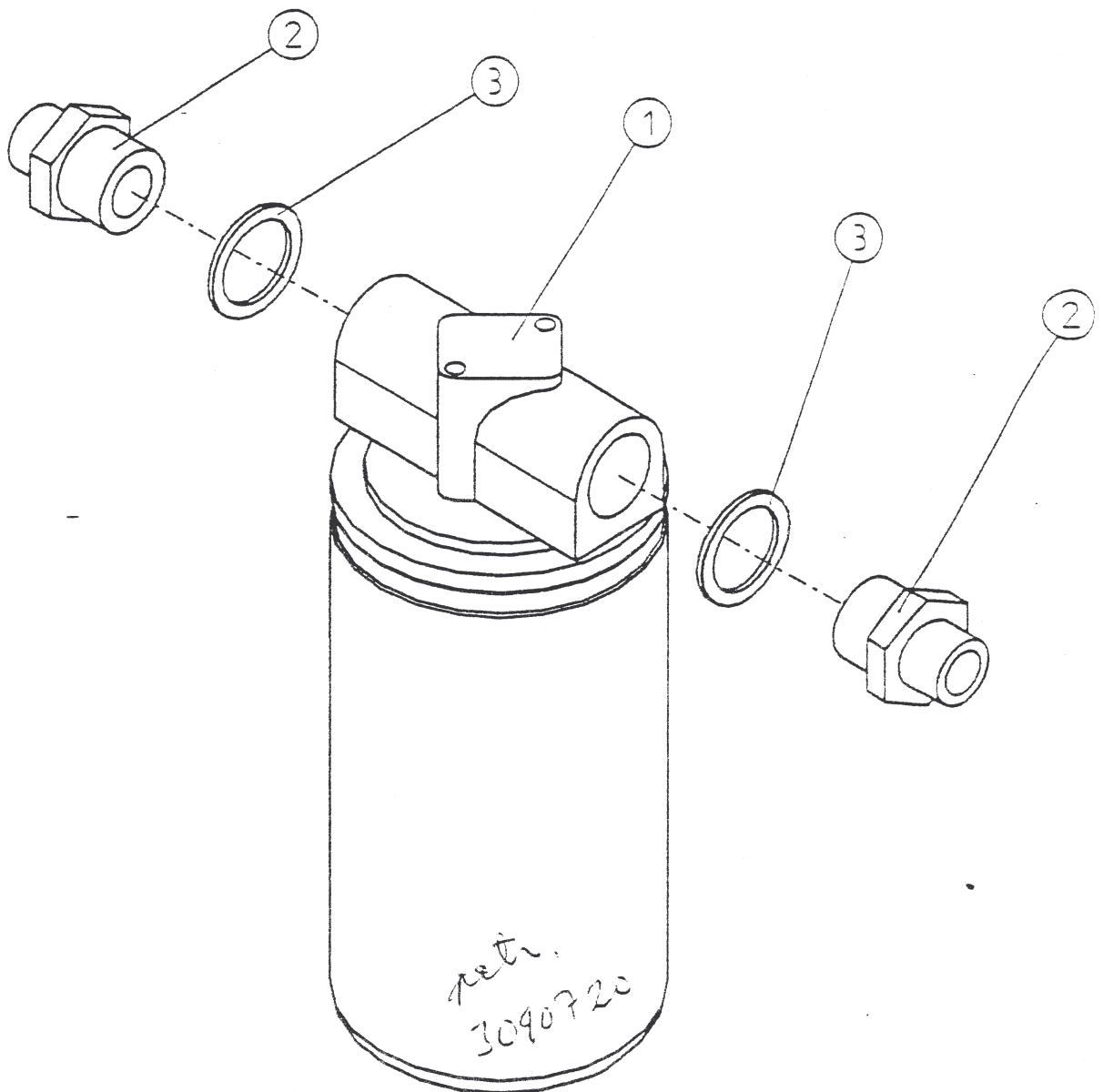
<u>Item</u>	<u>Part No</u>	<u>Description</u>	<u>Qty</u>
1	21036010	Arm	1
2	21036089	Pin	1
5	3010013	Hex. screw M10 x 40 8.8 zn DIN 933	2
9	3020130	Hex. nut M10 zn DIN 936	2
11	3050002	Grease nipple M6, 90 degrees	1
12	3010269	Retaining screw M5 x 10 DIN 913 zn	1
13	3100236	Roller RC 15 x 22	1
14	3010322	Hex. screw M10 x 12 8.8 zn DIN 933	12
15	3300529	Coil spring SF-TF 1,8 x 14 x 55	1
16	3030126	Washer	2



SCANLIFT SL 180

10.6.1 RETURN FILTER ASSEMBLY (FILTERING GROUP COMPLETE)

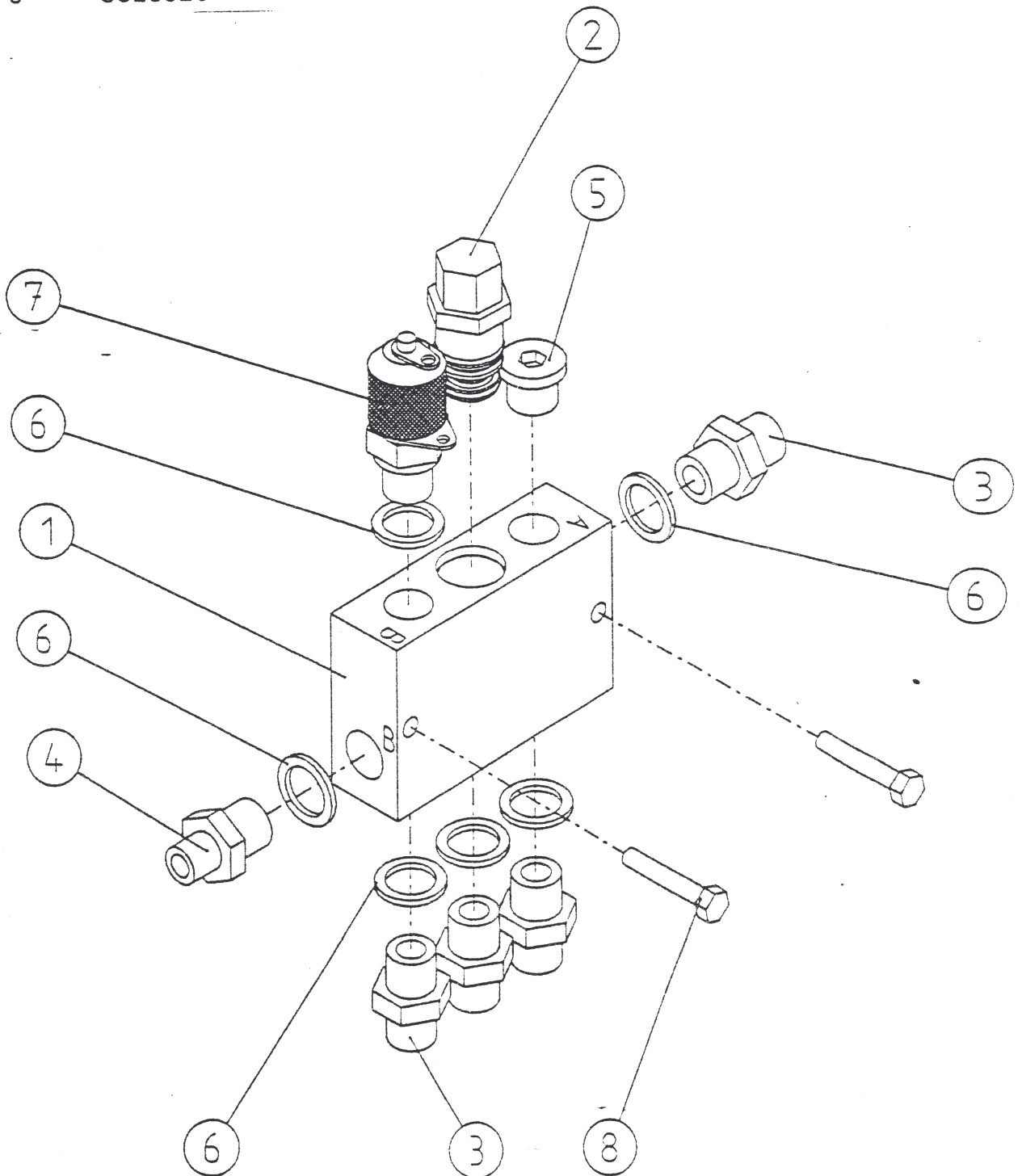
<u>Item</u>	<u>Part No</u>	<u>Description</u>	<u>Qty</u>
1-3	21036560	Return filter assembly complete	1
1	3090195	Return filter FFPAVL 3-1003-10 R3/4"	1
2	3090053	Reducing nipple 04000-08-12	2
3	3110130	Bonded seal Usit R3/4"	2



SCANLIFT SL 180

10.7 DIVIDING / PRESSURE RELIEF VALVE ASSEMBLY

<u>Item</u>	<u>Part No</u>	<u>Description</u>	<u>Qty</u>
1-8	21035908	Valve assembly complete	1
1	21035909	Body	1
2	3120250	Pressure relief poppet valve VE 06/E-1	1
3	3090040	Double nipple 04000-06 3/8"-3/8" HF	4
4	3090052	Reducing nipple 04000-04-06 R1/4"-R3/8" HF	1
5	3090210	Allen plug HF-3/8"	1
6	3110040	Bonded seal Usit R-06 (R3/8") 17,2x23,9x2,1	6
7	3090360	Pressure measuring nipple EMA R3/8"	1
8	3010016	Hex. screw M6x35 8.8 zn DIN933	2



SCANLIFT SL 180

10.8 HOSE SET FOR UPPER AND LOWER TURNTABLE

<u>Item</u>	<u>Part No</u>	<u>Description</u>	<u>Qty</u>
1	3130877	5729-08/HI-98-08/5701-08/L=1400	1
2	3130878	5729-08/HI-98-08/5701-08/180 l=2400	1
3	3130879	5701-06/HI-98-06/5701-08-06 l=1500	1
4	3130880	5729-06/HI-98-06/5701-06 l=860	1
5	3130881	5701-06/HI-98-06/5701-06 l=2200	1
6	3130882	5729-06/HI-98-06/5701-06 l=2100	1
7	3130883	5729-04/HI-98-04/5701-04 l=2450	1
8	3130883	5729-04/HI-98-04/5701-04 l=2450	1
9	3130801	5701-04/Tractor 1AST-1/4"/L=1170	1
10	3130802	5729-04/Tractor 1AST-1/4"/L=1170	1
11	3130884	5729-06/HI-98-06/5751-06/50/l=1720	1
12	3130885	5729-06/HI-98-06/5739-06/10/l=1950	1
13	3130795	5701-06/Tractor 1AST-3/8"/ l=530	1
14	3130886	3/8"Banjo/HI-98-06/5751-06/l=680	1
15	3130887	5729-06/HI-98-06/5739-06/l=750	1
16	3130807	5701-04/Tractor 1AST-1/4"/ l=800	1
17	3130888	5729-04/HI-98-04/5701-04/l=1870	1
18	3130889	5729-06/HI-98-06/5701-06/l=1400	1
19	3130890	5729-06/HI-98-06/5701-06/ l=260	1
20	3130803	5729-04/Tractor 1AST-1/4"/ l=1100	1
21	3130803	5729-04/Trct1AST-1/4"/ l=1100	1
22	3130891	5729-04/HI-98-06/5729-04 l=280	1
23	3130787	5729-08/HI-98-08/5751-08/90 L=610	1
24	3130892	5701-08/HI-98-08/5760-08 l=750	1
25	3130893	5751-08/HI-98-08/5729-08/100 L=535	1
26	3130844 894	526914-08/C23072-08/5712-08-06/	1
27	3130895	5729-08/HI-98-08/5729-08/ l=1300	1
28	3130896	5751-08/HI-98-08/5729-08/L=380	1
29	3130897	5729-04/HI-98-04/5760-04/120/L=760	1
30	3130898	5729-06/HI-98-06/5729-06/355/L=1200	1
31	3130899	5729-06/HI-98-06/5712-06/l=1400	1
32	3130900	5701-06/HI-98-06/Banjo 3/8"/l=350	1
33	3130901	5729-08/HI-98-08/5729-08 l=1200	1
34	3130902	5729-08/HI-98-08/5760-08/315/L=1060	1
35	3130903	5729-08/HI-98-08/5729-08/L=1320	1
36	3130778	HD-Letku SAE 100 R1-16	1

11. ELECTRICAL EQUIPMENT

SCANLIFT SL 180

11. ELECTRICAL EQUIPMENT

<u>Item</u>	<u>Part No</u>	<u>Description</u>	<u>Qty</u>
1	21036358	Push-button box (4) of platform, assembly	1
3	21036268	Push-button box (7) of turntable and Electric slip-ring box (6), assembly	1
4	21036269	Adapter box (1) of base frame, assembly	1
5	21036270	Relay- and adapter box (3) of base frame	1
6	21036271	Indicator box (2) for horizontal level	1
7	21036272	Push-button box (5) of drive / outrigger	1
8	21036273	Elect. equipment for 220V working voltage	1

12. ELECTRICAL EQUIPMENT FOR PLATFORM

SCANLIFT SL 180

12.1 PUSH-BUTTON BOX (4) OF PLATFORM, ASSEMBLY

<u>Item</u>	<u>Part No</u>	<u>Description</u>	<u>Qty</u>
1	21036358	Push-button box (4) of platform	1
2	21036274	220V Working voltage box, wired	1
3	3300029	Strap 1,3x5-290	5
4	3300029	Strap 2x7.5x350	4
5	3180021	Horn with bracket 12V 4A	1
6	3010657	Allen screw M5x16 zn DIN 7985	6
7	3020092	Hex. nut M5 DIN 985 zn	6
8	3010090	Hex. screw M8x16 DIN 933 zn	1
9	3020001	Hex. nut M8 DIN 985 zn	1

SCANLIFT SL 180

12.2 PUSH-BUTTON BOX (4) OF PLATFORM, WIRING

<u>Item</u>	<u>Part No</u>	<u>Description</u>	<u>Qty</u>
1	21036275	Cable 1	1
2	21036276	Cable 2	1
3	21036277	Cable 3	1
4	21036278	Box assembly	1
5	21036279	Cover assembly	1
6	21036280	Wire 6	1
7	21036281	Wire 7	1
8	21036282	Wire 8	1
9	21036283	Wire 9	1
10	3180345	Wire	1
11	21036285	Wire 11	1
12	21036286	Wire 12	1
13	21036287	Wire 13	1
14	21036288	Wire 14	1
15	3300029	Strap 1,3x5-100	1
16	3300029	Strap 1x3,5 -100	6
17	3280415	Label (KOT4)	1
18	3280415	Label (SH2)	1
19	3280415	Label (SK1)	1
20	3280415	Label (SP1)	1
21	3280415	Label (SP2)	1
22	3280415	Label (SVL2)	1

SCANLIFT SL 180

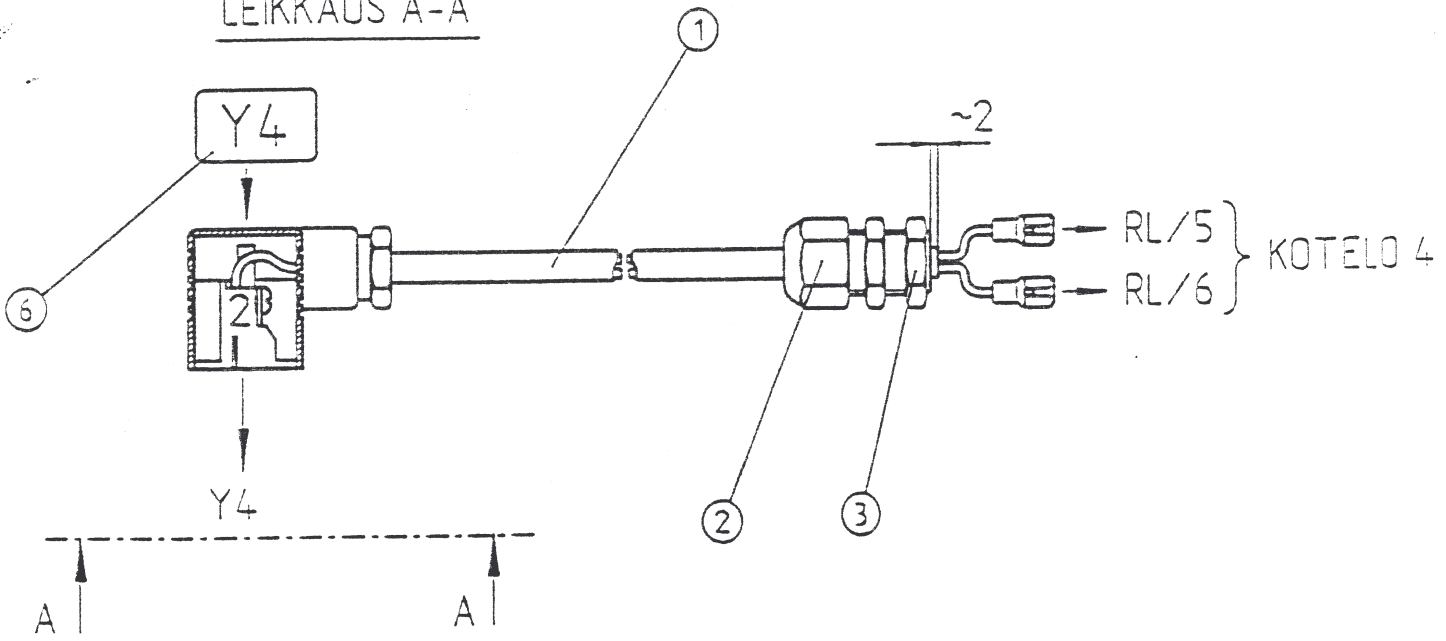
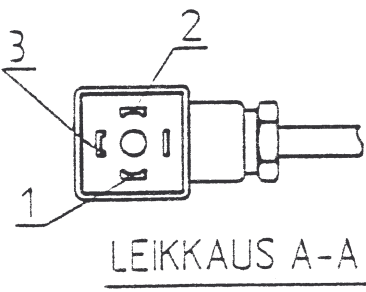
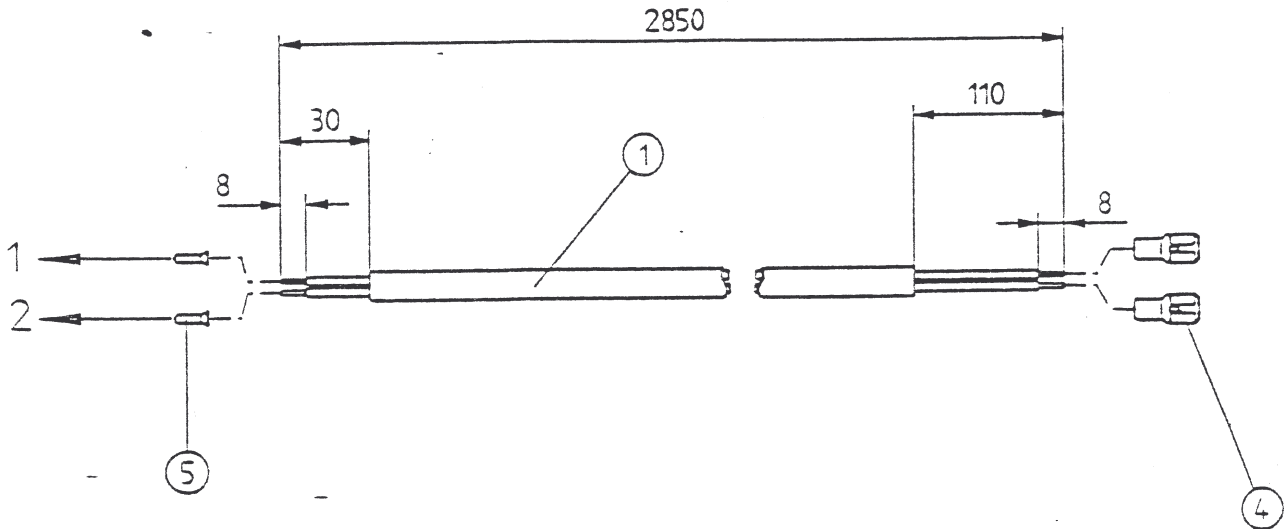
CABLE 1 (PUSH-BUTTON BOX 4)

<u>Item</u>	<u>Part No</u>	<u>Description</u>	<u>Qty</u>
1	3180303	Cable S100-12x1,5 ² -3970	1
2	3180347	Sealing bush PG16	2
3	3180348	Nut PG16	1
4	3180348	Socket 163084-1 Ø1,6	12
5	3180165	End fitting Ø1,5 uninsulated	4
6	3180273	Flat socket plug 1/2 insulated	8
7	21036289	Bushing	1
8	3180383	Socket 14 terminals	1
9	3110623	O-ring 21/18x1,5 70sh	1

SCANLIFT SL 180

CABLE 2 (PUSH-BUTTON BOX 4)

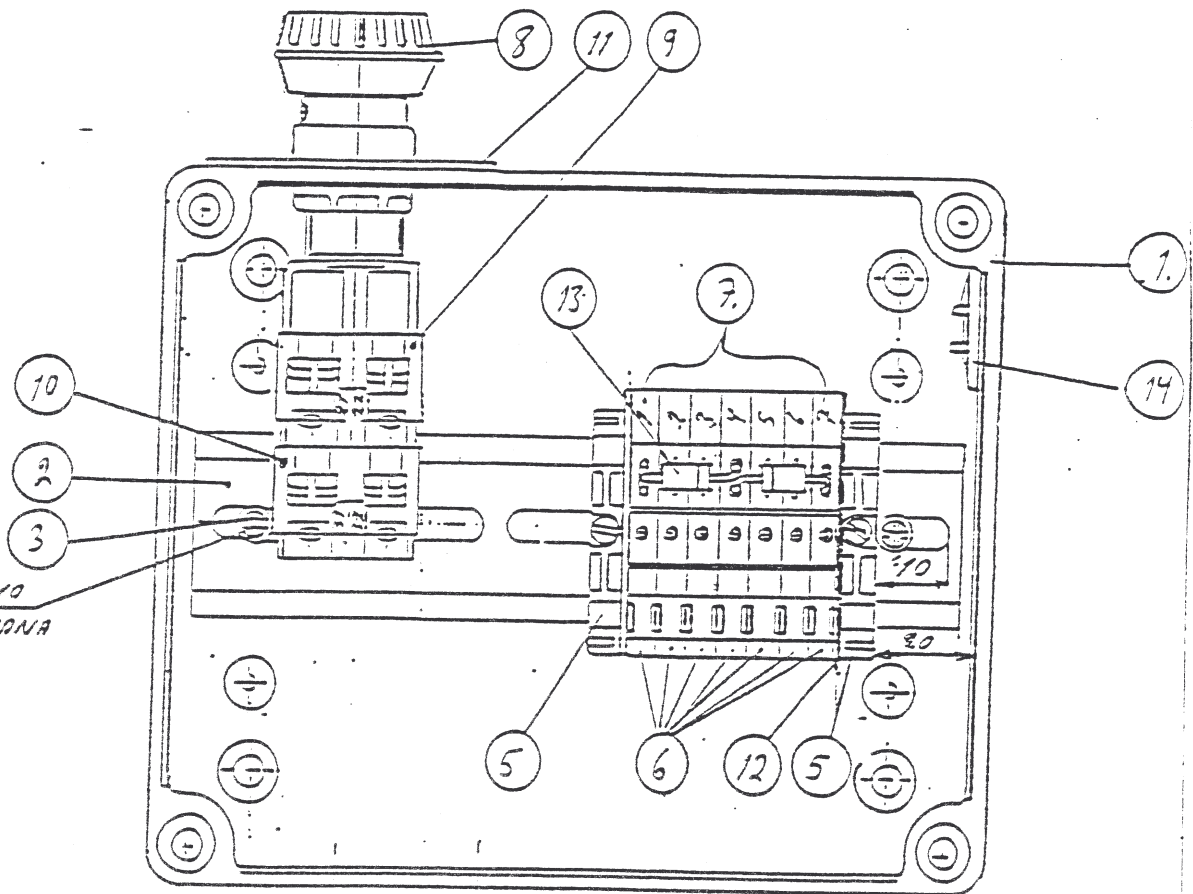
Item	Part No	Description	Qty
1	3180384	Cabel 2x1,5 mm ² Olflex-FD800	1
2	3180184	Sealing bush PG 9	1
3	3180008	Nut PG 9 P30	1
4	3180273	Flat socket plug 9052 6,3mm insulated	2
5	3180165	End fitting 1,5	2
6	3280415	Label (Y4)	1



SCANLIFT SL 180

12.3 BOX ASSEMBLY (PUSH-BUTTON BOX 4)

<u>Item</u>	<u>Part No</u>	<u>Description</u>	<u>Qty</u>
1	21035279	Box	1
2	3180212	Fitting bar	1
3	3030127	Washer M4 DIN 9021 zn	2
5	3180327	End clamp 9708/2 S35	2
6	3180326	Terminal WK5 S/U	7
7	3180330	Label 9705A/6/10B no: 1-7	1
8	3180266	Push-button, red D3C 3R	1
9	3180263	Contactator DA 01	1
10	3180386	Contactator DB 01	1
11	21036035	Sign plate, yellow	1
12	3180328	End plate AP 5S	1
13		Diode couple	1
14	3180387	Wire bracket	1



SCANLIFT SL 180

12.4 COVER ASSEMBLY (PUSH-BUTTON BOX 4)

<u>Item</u>	<u>Part No</u>	<u>Description</u>	<u>Qty</u>
1	21035280	Cover	1
2	3180370	Ignition lock Hatz	1
3	3180357	Switch 1-2 Breter CM 41.12 R 33 63	1
4	3180264	Contactator DA10	2
5	3180267	Push-button, green D3A6G	1
6	3180268	Push-button, red D3A6R	1
7	3180387	Wire bracket	1

SCANLIFT SL 180

WIRE 6 (PUSH-BUTTON BOX 4)

<u>Item</u>	<u>Part No</u>	<u>Description</u>	<u>Qty</u>
1	3180388	Wire Ø1,5 ² -100 yellow-green	1
2	3180273	Flat socket plug 9052 6,3mm insulated	1
3	3180159	Ring plug M5 insulated	1

WIRE 7 (PUSH-BUTTON BOX 4)

<u>Item</u>	<u>Part No</u>	<u>Description</u>	<u>Qty</u>
1	3180344	Wire Ø1,5 ² -160 red	1
2	3180273	Flat socket plug 9052 6,3mm insulated	1
3	3180165	End fitting 1,5 uninsulated	1

WIRE 8 (PUSH-BUTTON BOX 4)

<u>Item</u>	<u>Part No</u>	<u>Description</u>	<u>Qty</u>
1	3180344	Wire Ø1,5 ² -280 red	1
2	3180273	Flat socket plug 9052 6,3mm insulated	1
3	3180165	End fitting 1,5 uninsulated	1

WIRE 9 (PUSH-BUTTON BOX 4)

<u>Item</u>	<u>Part No</u>	<u>Description</u>	<u>Qty</u>
1	3180344	Wire Ø1,5 ² -210 red	1
2	3180273	Flat socket plug 9052 6,3mm insulated	1
3	3180165	End fitting 1,5 uninsulated	1

SCANLIFT SL 180

WIRE 11 (PUSH-BUTTON BOX 4)

<u>Item</u>	<u>Part No</u>	<u>Description</u>	<u>Qty</u>
1	3180391	Wire Ø4 ² -500 red	1
2	3180384	Flat socket plug 9,5mm insulated	1
3	3180165	End fitting	1

WIRE 12 (PUSH-BUTTON BOX 4)

<u>Item</u>	<u>Part No</u>	<u>Description</u>	<u>Qty</u>
1	3180344	Wire Ø1,5 ² -420 red	1
2	3180273	Flat socket plug 9052 6,3mm insulated	1
3	3180165	End fitting 1,5 uninsulated	1

WIRE 13 (PUSH-BUTTON BOX 4)

<u>Item</u>	<u>Part No</u>	<u>Description</u>	<u>Qty</u>
1	3180344	Wire Ø1,5 ² -400 red	1
2	3180273	Flat socket plug 9052 6,3mm insulated	1
3	3180165	End fitting 1,5 uninsulated	1

WIRE 14 (PUSH-BUTTON BOX 4)

<u>Item</u>	<u>Part No</u>	<u>Description</u>	<u>Qty</u>
1	3180344	Wire Ø1,5 ² -480 red	1
2	3180273	Flat socket plug 9052 6,3mm insulated	2

SCANLIFT SL 180

12.5 ELECTRICAL EQUIPMENT FOR 220 V WORKING VOLTAGE

<u>Item</u>	<u>Part No</u>	<u>Description</u>	<u>Qty</u>
1	21036290	Cable 4	1
2	3180259	Contact box	1
3	21036042	Safety switch box (8)	1
4	3180331	Terminal block	1
5	3010350	Plate screw 3,5x15 DIN 7971	1
6	3180184	Sealing bush PG9	2
7	3180008	Nut PG9	2
8	3300029	Strap 1,3x5-min.100 nylon	1
9	3010686	Allen screw M4 x 16 zn DIN 7985	2
10	3020093	Hex. nut M4 DIN 985 zn	2
11	21036291	Earth strap	1
12	3280415	Label (KOT8)	1

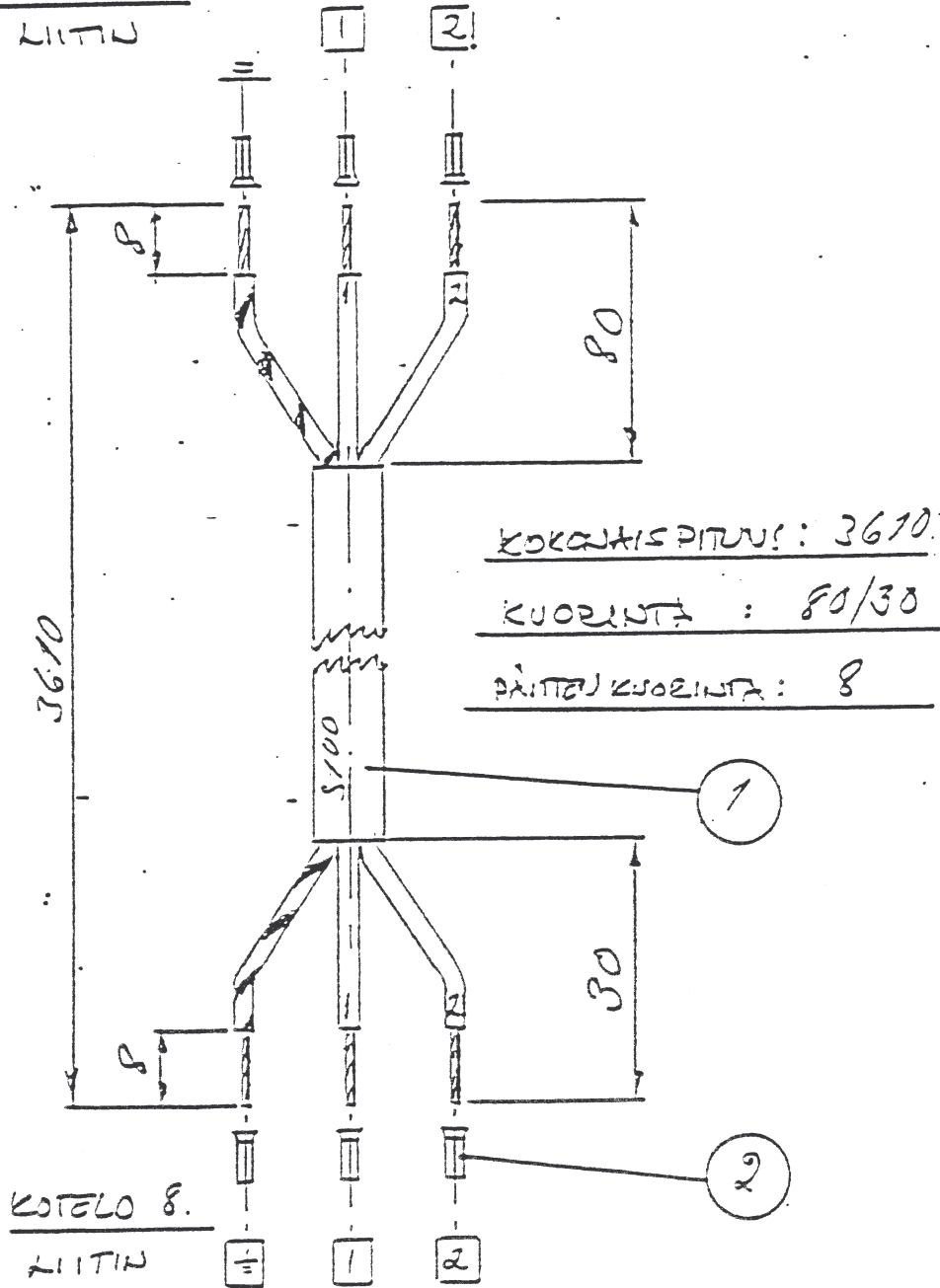
SCANLIFT SL 180

CABLE 4

Item	Part No	Description	Qty
1	3180301	Cable S100 3x1,5 ² - 3610	1
2	3180165	End fitting Ø1,5 ² uninsulated	6

PISTORASIA 2.

LIITIN



13. ELECTRICAL EQUIPMENT FOR BOOMS

SCANLIFT SL 180

13.1 CABLE 1 FOR BOOMS

<u>Item</u>	<u>Part No</u>	<u>Description</u>	<u>Qty</u>
1	3180303	Cable S100 12x1,5 ² -14650	1
2	3180118	Pin plug 16 30 82 - 1 Ø1,6 13A	24
3	21036289	Bushing Ø28 - 35	2
4	3180394	Pin bracket 20 60 44-1 14 terminal	2
5	3180374	Sealing bush PG16	2

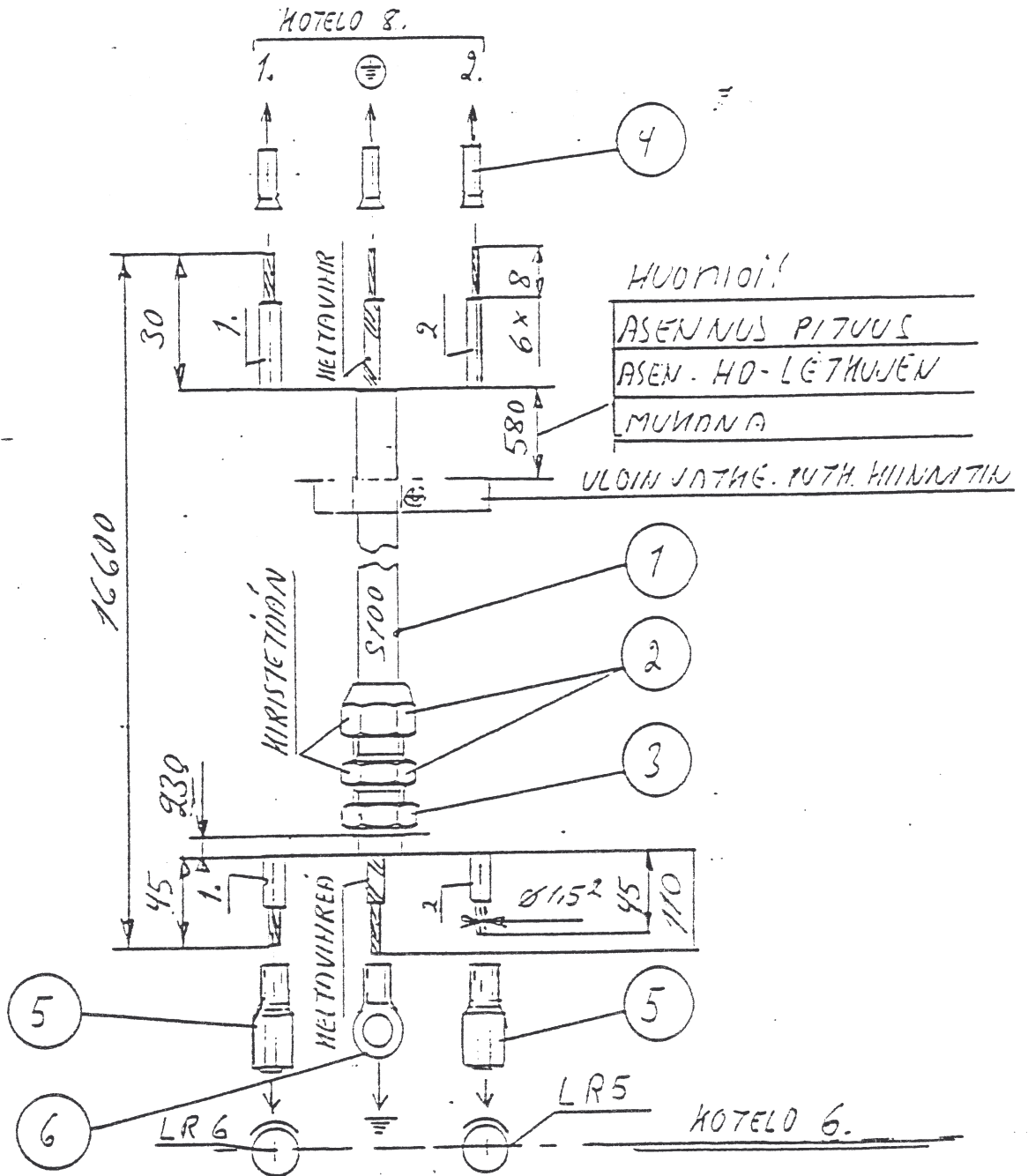
SCANLIFT SL 180

13.2 CABLE 2 AND SAFETY SWITCH FOR CHAIN

<u>Item</u>	<u>Part No</u>	<u>Description</u>	<u>Qty</u>
1	21036295	Cable 2	1
2	3180275	Safety switch Schmersal T4V(1)H336-11Z	1
3	3280415	Label (RK5)	1
4	3180128	Reducing bush PG13,5/PG9 DIN 46320	1
5	3180184	Sealing bush PG9	1
6	3180687	Allen screw M5 x 40 DIN 7985 zn	4
7	3030071	Washer M5 DIN 126 zn	4
8	3020092	Hex. nut M5 DIN 985 zn	4
9	3090730	Strap LEP-08 HI-FLEX	4
10	3010043	Hex. screw M6 x 10 DIN 933 zn	4
11	3030067	Spring washer M6 DIN 127 zn	4
12	3180396	Sealing bush 206062-1	1
13	3180397	Contact bush 206060-1	1

13.3 CABLE FOR 220 V WORKING VOLTAGE

Item	Part No	Description	Qty
1	3180301	Cable S100 3x1,5 ² -16600	1
2	3180184	Sealing bush PG9	1
3	3180008	Nut PG9	1
4	3180165	End fitting 1,5 ² -7 uninsulated	3
5	3180325	Flat socket plug 6,3 insulated	3
6	3180393	Ring plug Ø5 1,5 ² uninsulated	1



14. ELECTRICAL EQUIPMENT FOR TURNTABLE

SCANLIFT SL 180

14.1 PUSH-BUTTON BOX (7) OF TURNTABLE

<u>Item</u>	<u>Part No</u>	<u>Description</u>	<u>Qty</u>
1	21036296	Push-button box 7	1
2	21036297	Wiring for Diesel engine	1
3	21036298	Cable 1	1
4	21036299	Cable 2 and safety switch RK10 assembly	1
5	21036300	Cable 3 and safety switch RK7 assembly	1
6	21036301	Cable 4 and safety switch RK9 assembly	1
7	21036302	Cable 5 and solenoid plug Y2 assembly	1
8	21036303	Cable 6 and solenoid plug Y1 assembly	1
9	21036304	Cable 7 and safety switch RK6 assembly	1
10	21036305	Cable 8 and flashing light assembly	1
27	3300092	Strap 1x3,6-140 nylon	15
28	3300029	Strap 1,3x4,8-178 nylon	9
29	3010686	Allen screw M4x16 zn DIN 7985	4
30	3020093	Hex. nut M4 DIN 985	4
31	21036332	Electric box for slip-ring switch, assy	1

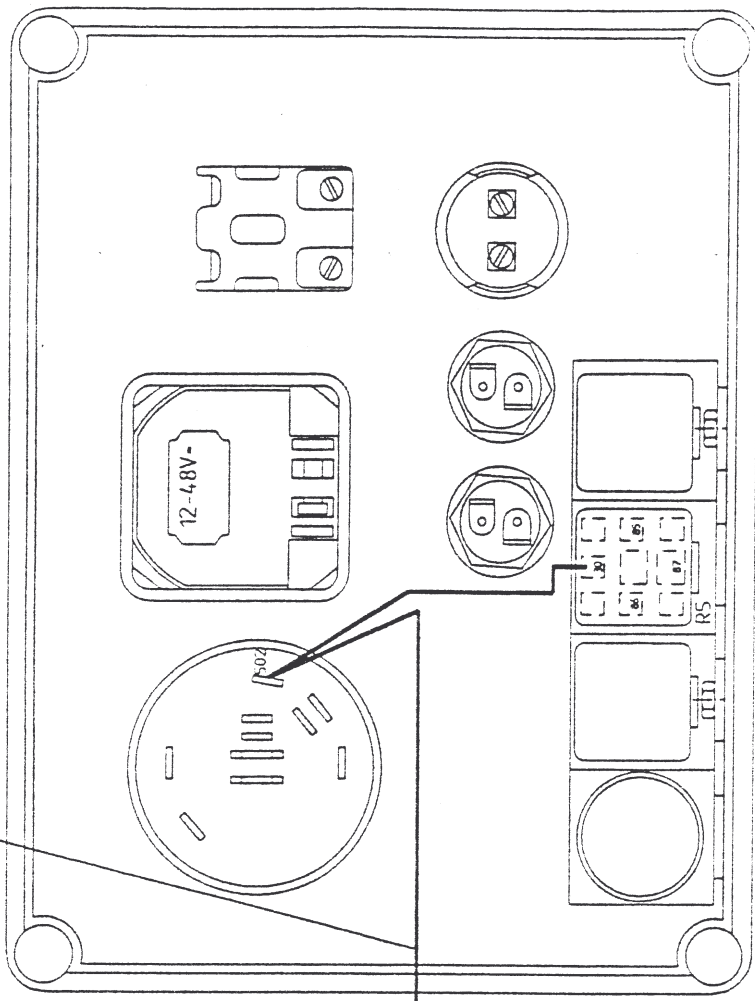
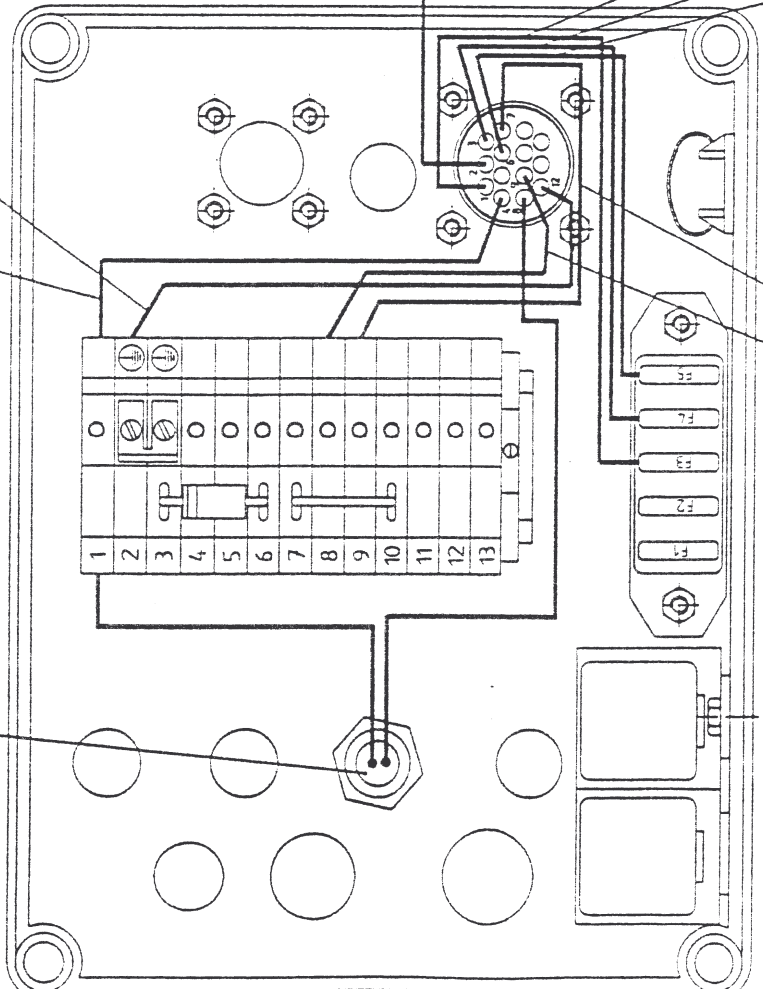
KOTELO 7 SISÄINEN KYTKENTÄ 1

1 21036306
14PIST/4 - RL/1

KAAPPELI 4, 21036301

2 21036307
14PIST/12 - RL/2

8 21036313
14PIST/2 - R5/30 - SVL1/502



5 21036309
14PIST/1 - F3

3 21036308
14PIST/7 - RL/9

6 21036309
14PIST/3 - F4

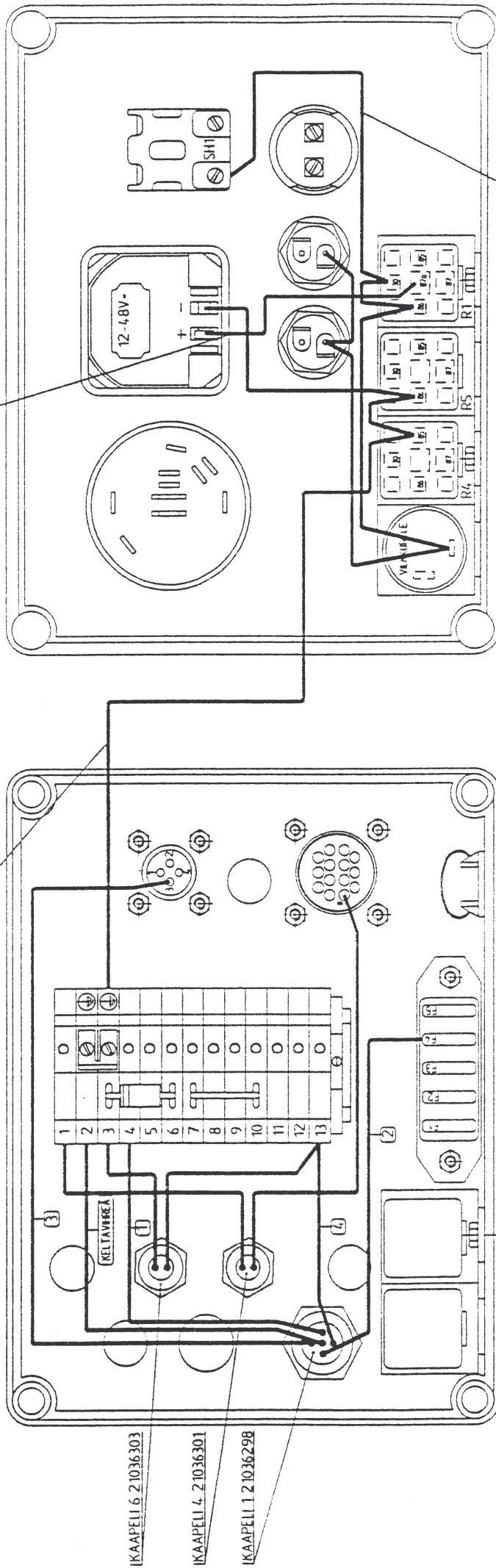
4 21036308
14PIST/9 - RL/8

7 21036309
14PIST/6 - F5

KOTELO 7 SISÄINEN KYTKENTÄ 3

21036327
TUNTIMITT. - - R5/86 - R4/85 - RL/3

21036325
R1/87a - TUNTIMITTARI *



21036326

SH1/21 - R1/30 - R1/86 -
VR - ÖLJYNP. MERKKIV -
LATAUS MERKKIVALO

KAAPELI 6 21036303

KAAPELI 4 21036301

KAAPELI 1 21036298

SCANLIFT SL 180

14.2 PUSH-BUTTON BOX 7, INTERNAL WIRING

<u>Item</u>	<u>Part No</u>	<u>Description</u>	<u>Qty</u>
1	21036306	Wire 1 L=190	1
2	21036307	Wire 2 L=190	1
3	21036308	Wire 3 L=150	1
4	21036308	Wire 4 L=150	1
5	21036309	Wire 5 L=130	1
6	21036309	Wire 6 L=130	1
7	21036309	Wire 6 L=130	1
8	21036313	Wire 8 L=510	1
9	21036314	Wire 9 L=200	1
10	21036314	Wire 10 L=200	1
11	21036316	Wire 11 L=160	1
12	21036317	Wire 12 L=280	1
13	21036318	Wiring loom 13 L=75+105	1
14	21036319	Wiring loom 14 L=75+260	1
15	21036320	Wire 15 L=530	1
16	21036321	Wire 16 L=560	1
17	21036321	Wire 17 L=560	1
18	21036321	Wire 18 L=560	1
19	21036324	Wire 19 L=280	1
20	21036325	Wire 20 L=190	1
21	21036326	Wiring loom 21	1
22	21036327	Wiring loom 22	1
23	21036328	Wiring loom 23	1
24	21036329	Wire 24 L=310	1
25	21036330	Wire 25 L=310	1
26	21036331	Wire 26 L=530	1

SCANLIFT SL 180

WIRE 1 (PUSH-BUTTON BOX 7 - INTERAL WIRING)

<u>Item</u>	<u>Part No</u>	<u>Description</u>	<u>Qty</u>
1-3	21036306	Wire complete	1
1	3180344	Wire Ø1,5 ² -190, red	1
2	3180273	Flat socket plug 6,3 insulated	1
3	3180411	Socket 163084-1 Ø1,6	1

WIRE 2 (PUSH-BUTTON BOX 7)

<u>Item</u>	<u>Part No</u>	<u>Description</u>	<u>Qty</u>
1-3	21036307	Wire complete	1
1	3180400	Wire Ø1,5 ² -190, blue	1
2	3180273	Flat socket plug 6,3 insulated	1
3	3180411	Socket 163084-1 Ø1,6	1

WIRE 3 AND 4 (PUSH-BUTTON BOX 7)

<u>Item</u>	<u>Part No</u>	<u>Description</u>	<u>Qty</u>
1-3	21036308	Wire complete	1
1	3180344	Wire Ø1,5 ² -150, red	1
2	3180273	Flat socket plug 6,3 insulated	1
3	3180411	Socket 163084-1 Ø1,6	1

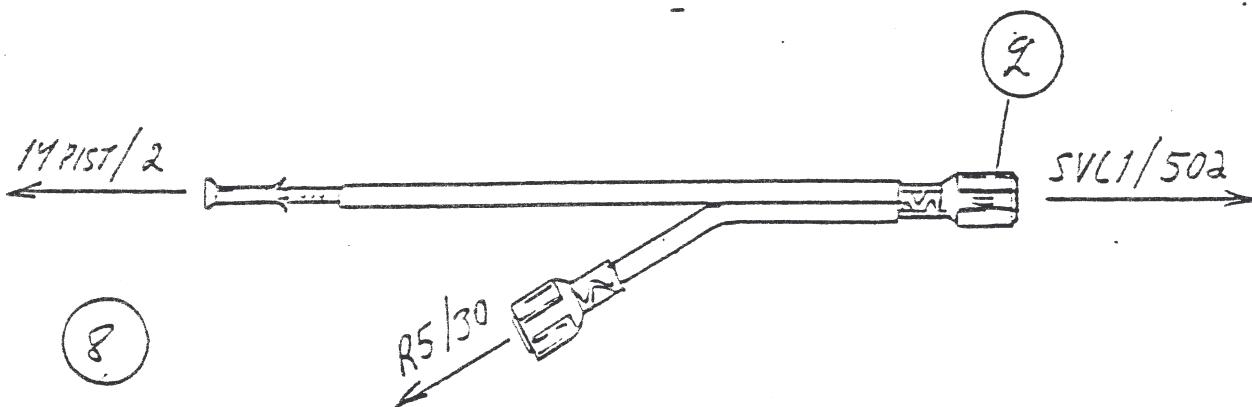
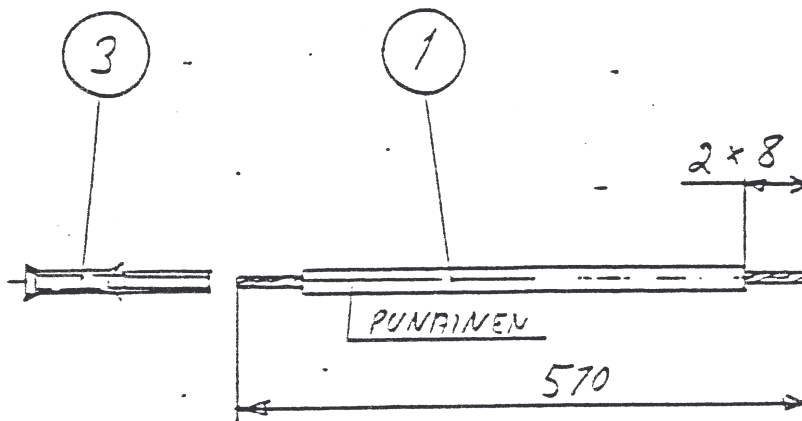
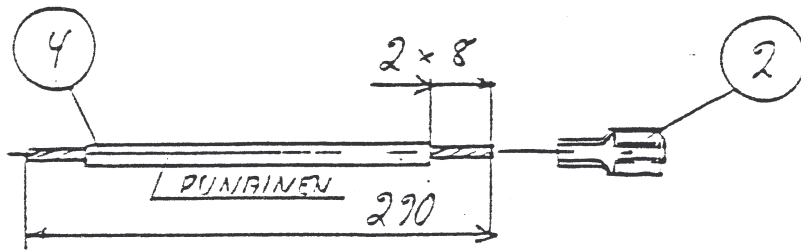
WIRE 5, 6 AND 7 (PUSH-BUTTON BOX 7)

<u>Item</u>	<u>Part No</u>	<u>Description</u>	<u>Qty</u>
1-3	21036309	Wire complete	1
1	3180344	Wire Ø1,5 ² -130, red	1
2	3180273	Flat socket plug 6,3 insulated	1
3	3180411	Socket 163084-1 Ø1,6	1

SCANLIFT SL 180

WIRE 8 (PUSH-BUTTON BOX 7 - INTERNAL WIRING)

Item	Part No	Description	Qty
1-4	21036313	Wire complete	1
1	3180344	Wire $\varnothing 1,5^2-510$, red	1
2	3180273	Flat socket plug 6,3 insulated	2
3	3180411	Socket 163084-1 $\varnothing 1,6$	1
4	3180344	Wire $\varnothing 1,5^2-290$	1



SCANLIFT SL 180

WIRE 9 AND 10 (PUSH-BUTTON BOX 7 - INTERNAL WIRING)

<u>Item</u>	<u>Part No</u>	<u>Description</u>	<u>Qty</u>
1-2	21036314	Wire complete	1
1	3180344	Wire Ø1,5 ² -200, red	1
2	3180273	Flat socket plug 6,3 insulated	2

WIRE 11 (PUSH-BUTTON BOX 7)

<u>Item</u>	<u>Part No</u>	<u>Description</u>	<u>Qty</u>
1-3	21036316	Wire complete	1
1	3180344	Wire Ø1,5 ² -160, red	1
2	3180179	Flat socket plug 6,3 uninsulated	1
3	3180273	Flat socket plug 6,3 insulated	1

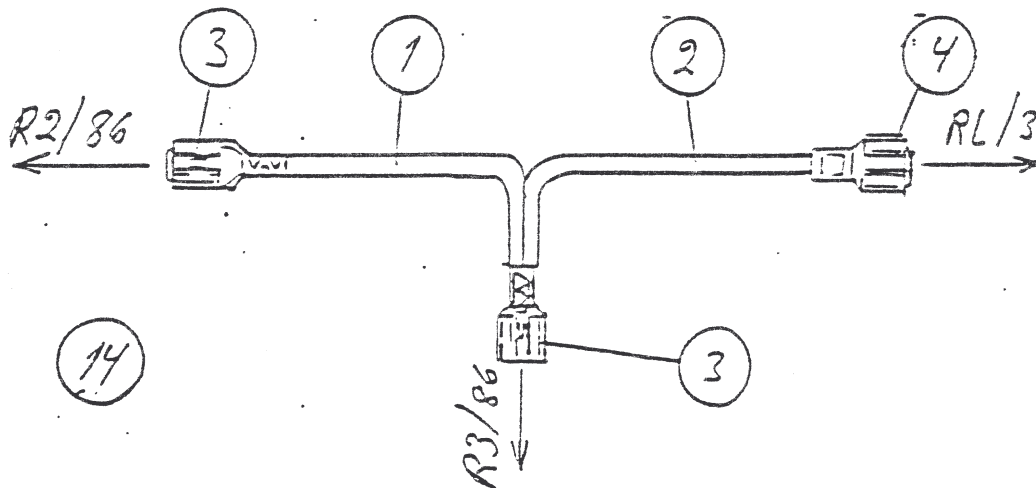
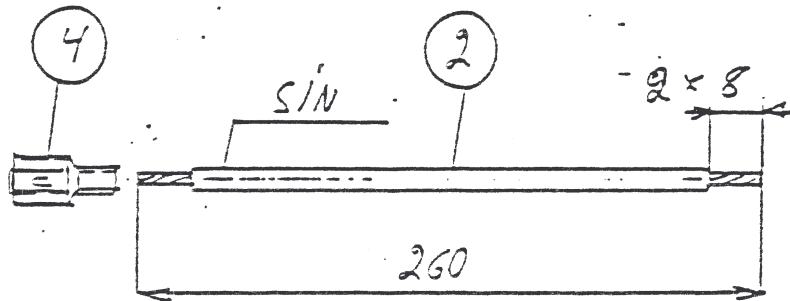
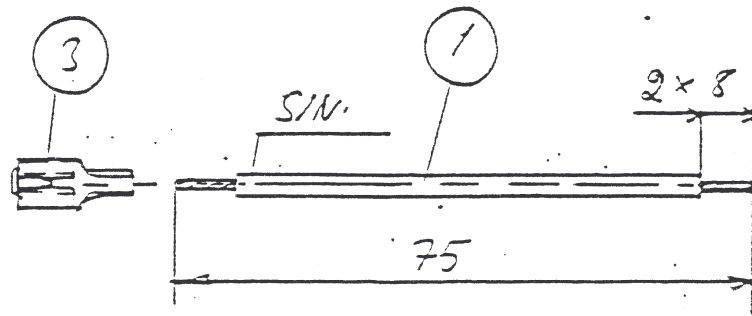
WIRE 12 (PUSH-BUTTON BOX 7)

<u>Item</u>	<u>Part No</u>	<u>Description</u>	<u>Qty</u>
1-3	21036317	Wire complete	1
1	3180344	Wire Ø1,5 ² -280, red	1
2	3180179	Flat socket plug 6,3 uninsulated	1
3	3180273	Flat socket plug 6,3 insulated	1

SCANLIFT SL 180

WIRING LOOM 14 (PUSH-BUTTON BOX 7 - INTERNAL WIRING)

Item	Part No	Description	Qty
1-4	21036319	Wiring loom complete	1
1	3180344	Wire $\emptyset 1,5^2-75$, red	1
2	3180344	Wire $\emptyset 1,5^2-260$, red	1
3	3180179	Flat socket plug 6,3 uninsulated	2
4	3180273	Flat socket plug 6,3 insulated	1



SCANLIFT SL 180

WIRE 15 (PUSH-BUTTON BOX 7 - INTERNAL WIRING)

<u>Item</u>	<u>Part No</u>	<u>Description</u>	<u>Qty</u>
1-3	21036320	Wire complete	1
1	3180344	Wire Ø1,5 ² -530, red	1
2	3180325	Flat socket plug 6,3 insulated	1
3	3180273	Flat socket plug 6,3 insulated	1

WIRE 16, 17 and 18 (PUSH-BUTTON BOX 7)

<u>Item</u>	<u>Part No</u>	<u>Description</u>	<u>Qty</u>
1-3	21036321	Wire complete	1
1	3180344	Wire Ø1,5 ² -560, red	1
2	3180273	Flat socket plug 6,3 insulated	1
3	3190165	End fitting 1,5 ² uninsulated	1

WIRE 19 (PUSH-BUTTON BOX 7)

<u>Item</u>	<u>Part No</u>	<u>Description</u>	<u>Qty</u>
1-3	21036324	Wire complete	1
1	3180344	Wire Ø1,5 ² -280, red	1
2	3180273	Flat socket plug 6,3 insulated	1
3	3180165	End fitting 1,5 ² uninsulated	1

WIRE 20 (PUSH-BUTTON BOX 7)

<u>Item</u>	<u>Part No</u>	<u>Description</u>	<u>Qty</u>
1-3	21036325	Wire complete	1
1	3180344	Wire Ø1,5 ² -190, red	1
2	3180179	Flat socket plug 6,3 uninsulated	1
3	3180165	End fitting 1,5 ² uninsulated	1

SCANLIFT SL 180

WIRING LOOM 21 (PUSH-BUTTON BOX 7 - INTERNAL WIRING)

<u>Item</u>	<u>Part No</u>	<u>Description</u>	<u>Qty</u>
1-8	21036326	Wiring loom complete	1
1	3180344	Wire Ø1,5 ² -80, red	1
2	3180344	Wire Ø1,5 ² -150, red	1
3	3180344	Wire Ø1,5 ² -150, red	1
4	3180344	Wire Ø1,5 ² -80, red	1
5	3180344	Wire Ø1,5 ² -185, red	1
6	3180273	Flat socket plug 6,3 insulated	2
7	3180179	Flat socket plug 6,3 uninsulated	3
8	3180165	End fitting 1,5 ² uninsulated	1

SCANLIFT SL 180

WIRING LOOM 22 (PUSH-BUTTON BOX 7 - INTERNAL WIRING)

<u>Item</u>	<u>Part No</u>	<u>Description</u>	<u>Qty</u>
1-6	21036327	Wiring loom complete	1
1	3180400	Wire Ø1,5 ² -500, blue	1
2	3180400	Wire Ø1,5 ² -90, blue	1
3	3180400	Wire Ø1,5 ² -180, blue	1
4	3180273	Flat socket plug 6,3 insulated	1
5	3180179	Flat socket plug 6,3 uninsulated	2
6	3180165	End fitting 1,5 ² uninsulated	1

SCANLIFT SL 180

WIRING LOOM 23 (PUSH-BUTTON BOX 7 - INTERNAL WIRING)

<u>Item</u>	<u>Part No</u>	<u>Description</u>	<u>Qty</u>
1-4	21036328	Wiring loom complete	1
1	3180400	Wire Ø1,5 ² -85, blue	1
2	3180400	Wire Ø1,5 ² -70, blue	1
3	3180400	Wire Ø1,5 ² -70, blue	1
4	3180179	Flat socket plug 6,3 uninsulated	4

SCANLIFT SL 180

WIRE 24 (PUSH-BUTTON BOX 7 - INTERNAL WIRING)

<u>Item</u>	<u>Part No</u>	<u>Description</u>	<u>Qty</u>
1-3	21036329	Wire complete	1
1	3180404	Wire Ø4 ² -310, black	1
2	3180373	Flat socket plug 9,5 uninsulated	1
3	3180390	End fitting 4,0 ² uninsulated	1

WIRE 25 (PUSH-BUTTON BOX 7)

<u>Item</u>	<u>Part No</u>	<u>Description</u>	<u>Qty</u>
1-3	21036330	Wire complete	1
1	3180404	Wire Ø4 ² -310, black	1
2	3180405	Flat socket plug 6,3 uninsulated	1
3	3180390	End fitting 4,0 ² uninsulated	1

WIRE 26 (PUSH-BUTTON BOX 7)

<u>Item</u>	<u>Part No</u>	<u>Description</u>	<u>Qty</u>
1-3	21036331	Wire complete	1
1	3180404	Wire Ø4 ² -530, black	1
2	3180373	Flat socket plug 9,5 uninsulated	1
3	3180389	Flat socket plug 6,3 insulated	1

SCANLIFT SL 180

14.3 PUSH-BUTTON BOX 7, INTERNAL OUTFIT

<u>Item</u>	<u>Part No</u>	<u>Description</u>	<u>Qty</u>
32	3280415	Label	1
34	21036333	Wire 34	1
35	3180387	Wire bracket	2
36	3110623	O-ring 21/18x1,5 70shore	1
37	3110624	O-ring 13/10x1,5 70 shore	1
38-53	3280415	Label	(1)

SCANLIFT SL 180

14.3 PUSH-BUTTON BOX 7, INTERNAL OUTFIT

<u>Item</u>	<u>Part No</u>	<u>Description</u>	<u>Qty</u>
1	21036310	Box 214x162x192	1
2	3180212	Fitting bar 35x27x7,3-100 zn	1
3	3010576	Screw M4-10 DIN 7985 zn	2
4	3020093	Hex. nut M4 DIN 985 zn	2
5	3030127	Washer M4 DIN 9021 zn	2
6	3180326	Terminal Wk5	13
7	3180328	End plate AP 5S	1
8	3180327	End clamp 9708/2 S35	2
9	3180330	Label 9705A/6/10B 1-13	1
10	3010349	Screw M3-5 zn DIN 84	2
11	3180343	Contact bar Wk5S	1
12	3180398	Contact plug 14 terminals	1
13	3180399	Contact plug 4 terminals	1
14	3010576	Screw M4-10 zn DIN 7985	13
15	3020093	Hex. nut M4 DIN 985 zn	13
16	3030120	Washer M4 DIN 126 zn	3
17	3180319	Fuse box	1
18	3180321	Fuse 10A	3
19	3180322	Fuse 5A	1
20	3180326	Relay housing	6
21	3180367	Relay 12V/20/30A	5
22	3180276	Flash relay C117/12V	1
23	3180370	Ignition lock	1
24	3180372	Signal light for oil pressure	1
25	3180373	Signal light for charging	1
26	3180371	Signal light for glow	1
27	3180314	Hourmeter BG 4017-1	1
28	21036035	Yellow sign plate	1
29	3180266	Push-button, red D3C3R	1
30	3180263	Contacteur DA01	1
31	3180386	Contacteur DR01	1

SCANLIFT SL 180

14.3 PUSH-BUTTON BOX 7, INTERNAL OUTFIT

<u>Item</u>	<u>Part No</u>	<u>Description</u>	<u>Qty</u>
1	21036310	Box 214x162x192	1
2	3180212	Fitting bar 35x27x7,3-100 zn	1
3	3010576	Screw M4-10 DIN 7985 zn	2
4	3020093	Hex. nut M4 DIN 985 zn	2
5	3030127	Washer M4 DIN 9021 zn	2
6	3180326	Terminal Wk5	13
7	3180328	End plate AP 5S	1
8	3180327	End clamp 9708/2 S35	2
9	3180330	Label 9705A/6/10B 1-13	1
10	3010349	Screw M3-5 zn DIN 84	2
11	3180343	Contact bar Wk5S	1
12	3180398	Contact plug 14 terminals	1
13	3180399	Contact plug 4 terminals	1
14	3010576	Screw M4-10 zn DIN 7985	13
15	3020093	Hex. nut M4 DIN 985 zn	13
16	3030120	Washer M4 DIN 126 zn	3
17	3180319	Fuse box	1
18	3180321	Fuse 10A	3
19	3180322	Fuse 5A	1
20	3180326	Relay housing	6
21	3180367	Relay 12V/20/30A	5
22	3180276	Flash relay C117/12V	1
23	3180370	Ignition lock	1
24	3180372	Signal light for oil pressure	1
25	3180373	Signal light for charging	1
26	3180371	Signal light for glow	1
27	3180314	Hourmeter BG 4017-1	1
28	21036035	Yellow sign plate	1
29	3180266	Push-button, red D3C3R	1
30	3180263	Contactactor DA01	1
31	3180386	Contactactor DR01	1

SCANLIFT SL 180

14.3 PUSH-BUTTON BOX 7, INTERNAL OUTFIT

<u>Item</u>	<u>Part No</u>	<u>Description</u>	<u>Qty</u>
32	3280415	Label	1
34	21036333	Wire 34	1
35	3180387	Wire bracket	2
36	3110623	O-ring 21/18x1,5 70shore	1
37	3110624	O-ring 13/10x1,5 70 shore	1
38-53	3280415	Label	(1)

SCANLIFT SL 180

14.4 CABLES FOR DIESEL ENGINE

<u>Item</u>	<u>Part No</u>	<u>Description</u>	<u>Qty</u>
1	3180376	Electric harness (10 wires)	1
2	3180377	Plug PG16 Polyflex	1
3	3180348	Nut PG16	1
4	3180378	Flat socket plug 9,5x1,2 uninsulated	1
5	3180179	Flat socket plug 6,3 uninsulated	5
6	3180273	Flat socket plug 6,3 insulated	5
7	3180379	Ring plug M10 1,5 ²	1
8	3180380	Ring plug M6 2,5 ²	1
9	21036334	Wire 9	1
11	21036335	Wire 11	1
12	21036336	Wire 12	1
13	21036337	Cable 13	1
14	21036339	Cable 14	1
15	3180382	+ Terminals insulation	1
16	3180337	Ground strap for battery	1
17	3180338	Ground strap for engine	1
18	3180315	Electrical main switch	1
19	3180362	Relay housing	2
20	3180361	Relay 12V/20/30A	2
21	3280415	Label (SPK1)	2
22	3010576	Screw M4-10zn DIN 7985	1
23	3020093	Hex. nut M4 DIN 985 zn	1
24	3030120	Washer M4 DIN 126 zn	1
25	3010038	Hex. screw M6-16 zn DIN 933	4
26	3020061	Hex. nut M6 DIN 985 zn	2
27	3010014	Hex. screw M8-20 DIN 933	1
28	3010142	Hex. nut M8-12 DIN 933	1
29	3020001	Hex. screw M8 DIN 985 zn	1
30	3030043	Spring washer M8 DIN 127 zn	3
31	3030067	Spring washer M6 DIN 127 zn	2
32	3010412	Hex. screw M8-40 8.8 DIN 933	1
33	21035784	Battery bracket	1
34	21036156	Rubber plate	1
35	3180257	Battery 12V 55Ah	1
36	3090088	Fitting strap LEP-21 Ø20,6	2
37	3300029	Strap 1,3x5-280 nylon	2

SCANLIFT SL 180

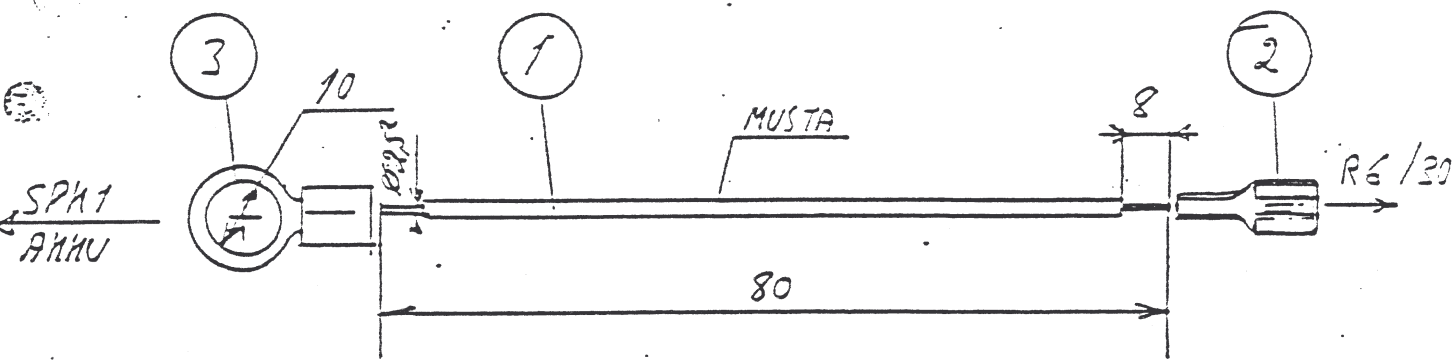
14.4 CABLES FOR DIESEL ENGINE

<u>Item</u>	<u>Part No</u>	<u>Description</u>	<u>Qty</u>
1	3180376	Electric harness (10 wires)	1
2	3180377	Plug PG16 Polyflex	1
3	3180348	Nut PG16	1
4	3180378	Flat socket plug 9,5x1,2 uninsulated	1
5	3180179	Flat socket plug 6,3 uninsulated	5
6	3180273	Flat socket plug 6,3 insulated	5
7	3180379	Ring plug M10 1,5 ²	1
8	3180380	Ring plug M6 2,5 ²	1
9	21036334	Wire 9	1
11	21036335	Wire 11	1
12	21036336	Wire 12	1
13	21036337	Cable 13	1
14	21036339	Cable 14	1
15	3180382	+ Terminals insulation	1
16	3180337	Ground strap for battery	1
17	3180338	Ground strap for engine	1
18	3180315	Electrical main switch	1
19	3180362	Relay housing	2
20	3180361	Relay 12V/20/30A	2
21	3280415	Label (SPK1)	2
22	3010576	Screw M4-10zn DIN 7985	1
23	3020093	Hex. nut M4 DIN 985 zn	1
24	3030120	Washer M4 DIN 126 zn	1
25	3010038	Hex. screw M6-16 zn DIN 933	4
26	3020061	Hex. nut M6 DIN 985 zn	2
27	3010014	Hex. screw M8-20 DIN 933	1
28	3010142	Hex. nut M8-12 DIN 933	1
29	3020001	Hex. screw M8 DIN 985 zn	1
30	3030043	Spring washer M8 DIN 127 zn	3
31	3030067	Spring washer M6 DIN 127 zn	2
32	3010412	Hex. screw M8-40 8.8 DIN 933	1
33	21035784	Battery bracket	1
34	21036156	Rubber plate	1
35	3180257	Battery 12V 55Ah	1
36	3090088	Fitting strap LEP-21 Ø20,6	2
37	3300029	Strap 1,3x5-280 nylon	2

SCANLIFT SL 180

WIRE 11 (CABLES FOR DIESEL ENGINE)

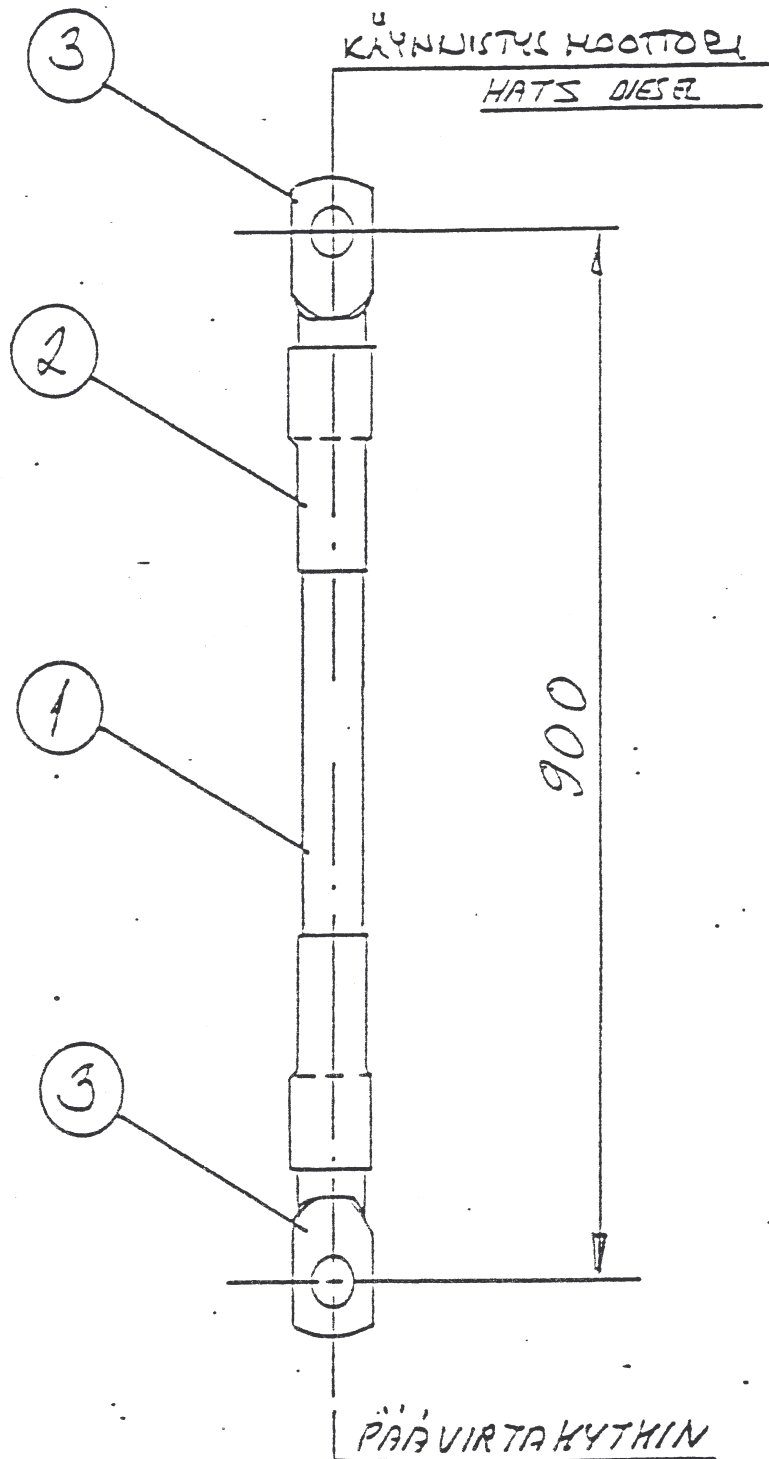
<u>Item</u>	<u>Part No</u>	<u>Description</u>	<u>Qty</u>
1-3	21036335	Wire complete	1
1	3180290	Wire 2,5 ² -80 black	1
2	3180179	Flat socket plug 6,3 uninsulated	1
3	3180379	Ring plug M10 2,5 ²	1



SCANLIFT SL 180

CABLE 13 (CABLES FOR DIESEL ENGINE)

<u>Item</u>	<u>Part No</u>	<u>Description</u>	<u>Qty</u>
1-3	21036337	Cable complete	1
1	3180340	Cable 25 ² -875	1
2	3180401	Shrink-on tube Ø12-30	2
3	3180245	Cable shoe M10 25 ²	2



SCANLIFT SL 180

CABLE 1 (PUSH-BUTTON BOX 7 - ASSEMBLY)

<u>Item</u>	<u>Part No</u>	<u>Description</u>	<u>Qty</u>
1-31	21036298	Cable complete	1
1	3180402	Cable 5x1,5 ² -2030	1
2	3180323	Sealing bush PG13,5	2
3	3180009	Nut PG13,5	2
4	3180273	Falt socket plug 6,3 uninsulated	4
5	3180325	Flat socket plug 6,3 insulated	4
6	3180393	Ring plug M5 1,5 ² uninsulated	1
7	3180118	Pin plug	1

SCANLIFT SL 180

CABLE 2 AND SAFETY SWITCH RK10 (PUSH-BUTTON BOX 7 - ASSEMBLY)

<u>Item</u>	<u>Part No</u>	<u>Description</u>	<u>Qty</u>
1-13	21036299	Assembly complete	1
1	3180392	Cable 800FD 4x1,5 ² -1640 Ölflex	1
2	3180126	Sealing bush PG11	2
3	3180086	Nut PG11	1
4	3180395	Adapter PG13,6/PG11	1
5	3180273	Flat socket plug 6,3 insulated	1
6	3180179	Flat socket plug 6,3 uninsulated	1
7	3180381	Socket plug Ø1,6/13A	1
8	3180165	End fitting Ø1,5 ² uninsulated	4
9	3180275	Safety switch Telemecanique XCK-S231	1
10	3010687	Screw M5-40 DIN 7985	4
11	3030071	Washer M5 DIN 126 zn	4
12	3020092	Hex. nut M5 DIN 985 zn	4
13	3280415	Label (RK10)	1

SCANLIFT SL 180

CABLE 3 AND SAFETY SWITCH RK7 (PUSH-BUTTON BOX 7 - ASSEMBLY)

<u>Item</u>	<u>Part No</u>	<u>Description</u>	<u>Qty</u>
1-11	21036300	Assembly complete	1
1	3180384	Cable 800FD1,5 ² x2-2070	1
2	3180184	Sealing bush PG9	2
3	3180008	Nut PG9	1
4	3180128	Adapter PG13,5/PG9	1
5	3180179	Flat socket plug 6,3 uninsulated	1
6	3180273	Flat socket plug 6,3 insulated	1
7	3180165	End fitting Ø1,5 ² uninsulated	2
8	3180288	Safety switch TR336-11Z Schmersal	1
9	3010687	Screw M5-40 DIN7985 zn	4
10	3030071	Washer M5 DIN 126 zn	4
11	3280415	Label (RK7)	1

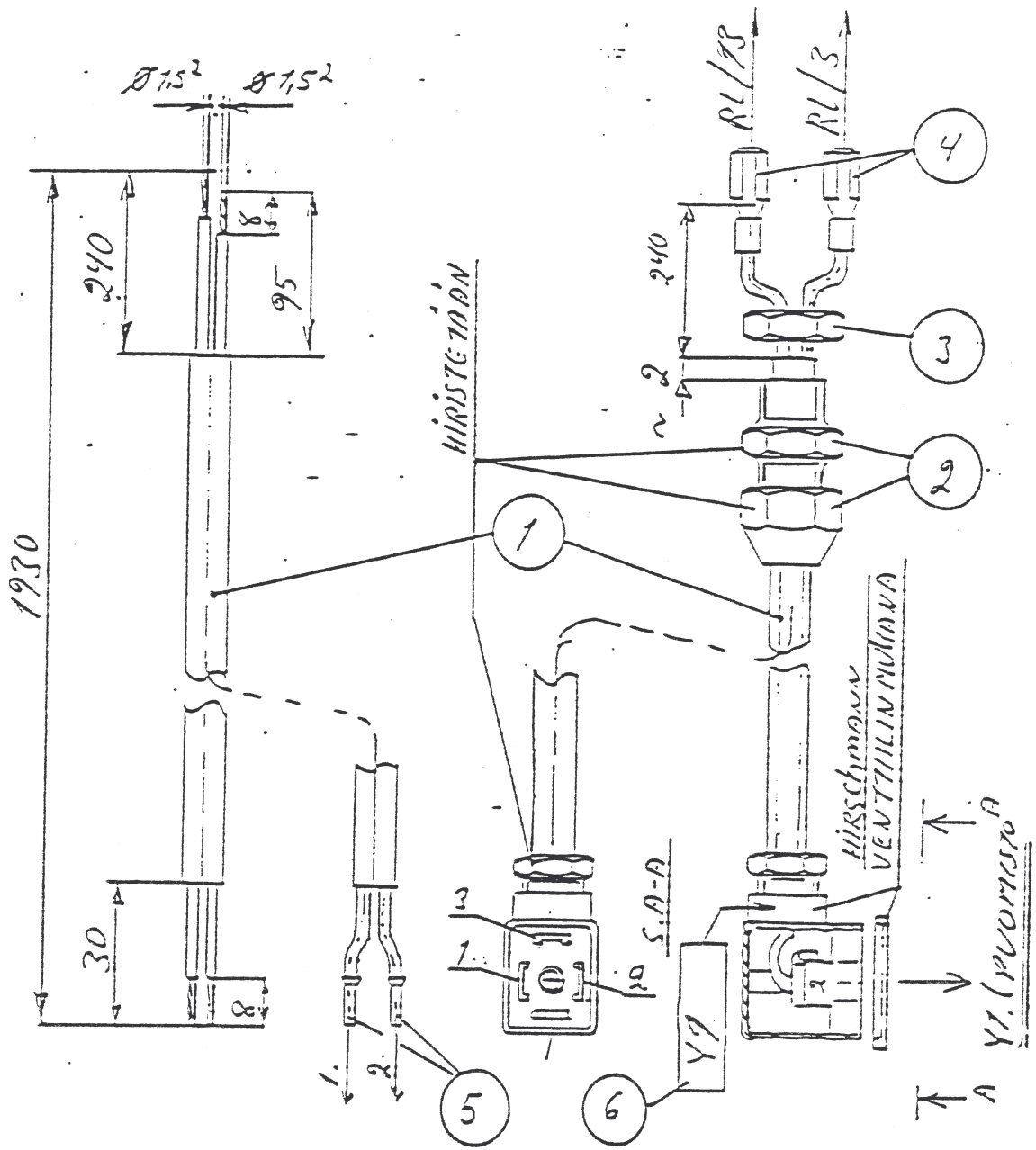
SCANLIFT SL 180

CABLE 4 AND SAFETY SWITCH RK9 (PUSH-BUTTON BOX 7 - ASSEMBLY)

<u>Item</u>	<u>Part No</u>	<u>Description</u>	<u>Qty</u>
1-12	21036301	Assembly complete	1
1	3180384	Cable 800FD1,5 ² x2-2040	1
2	3180184	Sealing bush PG9	2
3	3180008	Nut PG9	1
4	3180128	Adapter PG13,5/PG9	1
5	3180273	Flat socket plug 6,3 insulated	1
6	3180381	Socket plug Ø1,6	1
7	3180165	End fitting Ø1,5 ² uninsulated	2
8	3180275	Safety switch H336-11Z Schmersal	1
9	3010687	Screw M5-40 DIN7985 zn	4
10	3030071	Washer M5 DIN 126 zn	4
11	3020092	Hex. nut M5 DIN 985	4
12	3280415	Label (RK9)	1

CABLE 6 AND SOLENOID PLUG Y1 (PUSH-BUTTON BOX 7 - ASSEMBLY)

Item	Part No	Description	Qty
1-6	21036303	Assembly complete	1
1	3180384	Cable 2x1,5mm ² Olflex-FD800	1
2	3180184	Sealing bush PG9	1
3	3180008	Nut PG9 P30	1
4	3180273	Flat socket plug 9052 6,3mm insulated	2
5	3180165	End fitting 1,5 uninsulated	2
6	3280415	Label (Y1)	1



SCANLIFT SL 180

CABLE 7 AND SAFETY SWITCH RK6 (PUSH-BUTTON BOX 7 - ASSEMBLY)

<u>Item</u>	<u>Part No</u>	<u>Description</u>	<u>Qty</u>
1-11	21036304	Assembly complete	1
1	3180384	Cable 800FD1,5 ² x2-2040	1
2	3180184	Sealing bush PG9	2
3	3180008	Nut PG9	1
4	3180128	Adapter PG13,5/PG9	1
5	3180273	Flat socket plug 6,3 insulated	2
6	3180165	End fitting Ø1,5 ² uninsulated	2
7	3180288	Safety switch TR336-11Z Schmersal	1
8	3010687	Screw M5-40 DIN7985 zn	4
9	3030071	Washer M5 DIN 126 zn	4
10	3020092	Hex. nut M5 DIN 985	4
11	3280415	Label (RK6)	1

SCANLIFT SL 180

CABLE 8 AND FLASHING LIGHT H5 (PUSH-BUTTON BOX 7 - ASSEMBLY)

<u>Item</u>	<u>Part No</u>	<u>Description</u>	<u>Qty</u>
1-12	21036305	Assembly complete	1
2	3180384	Cable 800FD1,5 ² x2-2040	1
3	3180184	Sealing bush PG9	1
4	3180008	Nut PG9	1
5	3180179	Flat socket plug 6,3 uninsulated	3
6	3180273	Flat socket plug 6,3 insulated	1
7	3180277	Red lamp, Talmu 52010016	1
8	3300029	Strap 1,3x5-100 nylon	1
9	3010657	Screw M5x16 DIN 7985 zn	2
10	3020092	Hex. nut M5 DIN 985 zn	2
11	3180366	Bulb 12V/21W	1
12	3280415	Label (H5)	1

SCANLIFT SL 180

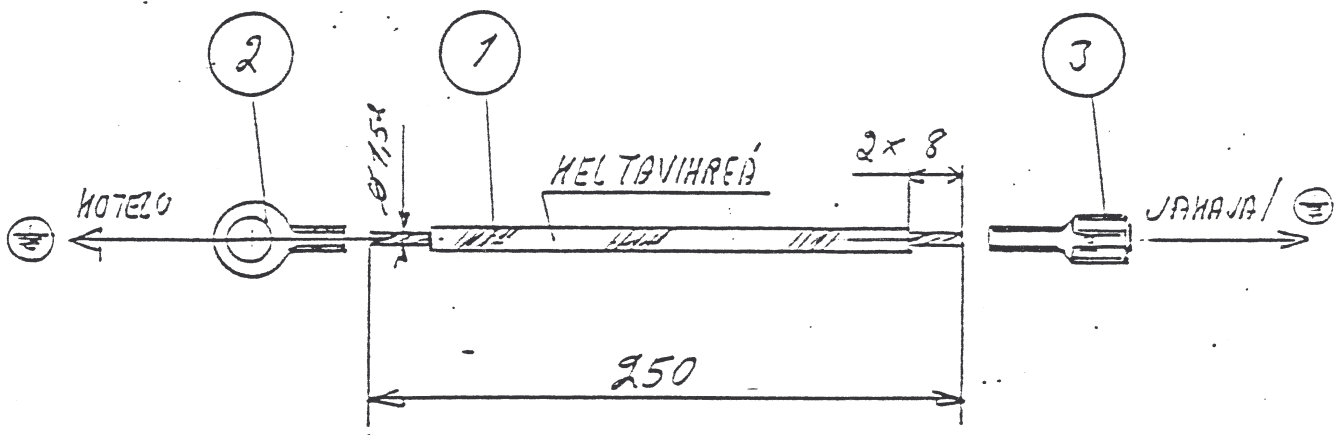
14.5 ELECTRIC BOX FOR SLIP-RING SWITCH (PUSH-BUTTON BOX 7 - ASSEMBLY)

<u>Item</u>	<u>Part No</u>	<u>Description</u>	<u>Qty</u>
1-8	21036332	Assembly complete	1
1	21036038	Box 170x135x170	1
2	3090730	Fitting strap LEP-08	1
3	3010575	Screw M5x12 DIN7985 zn	5
4	3030071	Washer M5 DIN 126 zn	1
5	3020092	Hex. nut M5 DIN 985 zn	1
6	21036338	Wire 6	1
7		Slip-ring switch assembly	1
8	3280415	Label (KOT6)	1

SCANLIFT SL 180

WIRE 6 (ELECTRIC BOX FOR SLIP-RING SWITCH)

Item	Part No	Description	Qty
1-3	21036338	Wire complete	1
1	3180388	Wire 1,5-250 yellow-green	1
2	3180393	Ring plug M5 1,5 ² uninsulated	1
3	3180179	Flat socket plug 6,3 uninsulated	1



15. ELECTRICAL EQUIPMENT FOR BASE FRAME

SCANLIFT SL 180

15.1 ADAPTER BOX 1 , CABLES (ELECTRICAL EQUIPMENT FOR BASE FRAME)

<u>Item</u>	<u>Part No</u>	<u>Description</u>	<u>Qty</u>
1-6	21036567	Assembly complete	1
1	21036339	Box 1 , internal outfitted	1
2	21036340	Cable 1 and safety switch RK3 assembly	1
3	21036341	Cable 2 and safety switch RK4 assembly	1
4	21036342	Cable 3 and solenoid plug Y7 assembly	1
5	21036343	Cable 4 and solenoid plug Y8 assembly	1
6	3300029	Strap 2x13x550 nylon	1

SCANLIFT SL 180

15.2 ADAPTER BOX 1 , INTERNAL OUTFIT (ELECT. EQUIP. FOR BASE FRAME)

<u>Item</u>	<u>Part No</u>	<u>Description</u>	<u>Qty</u>
1-10	21036339	Assembly complete	1
1	21036027	Box 1 105x105x66	1
2	3180212	Fitting bar	1
3	3010576	Screw M4x10 zn DIN 7985	2
4	3030127	Washer M4 zn DIN 9021	2
5	3020093	Hex. nut M4 zn DIN 985	2
6	3180326	Terminal WK 5 S/U 57.504.3553	6
7	3180328	End plate AP 5 S 07.311.4653	1
8	3180327	End clamp	2
9	3180330	Labels 9705A/6/10B 04.846.0153	1
10	3280415	Label (KOT1)	1

SCANLIFT SL 180

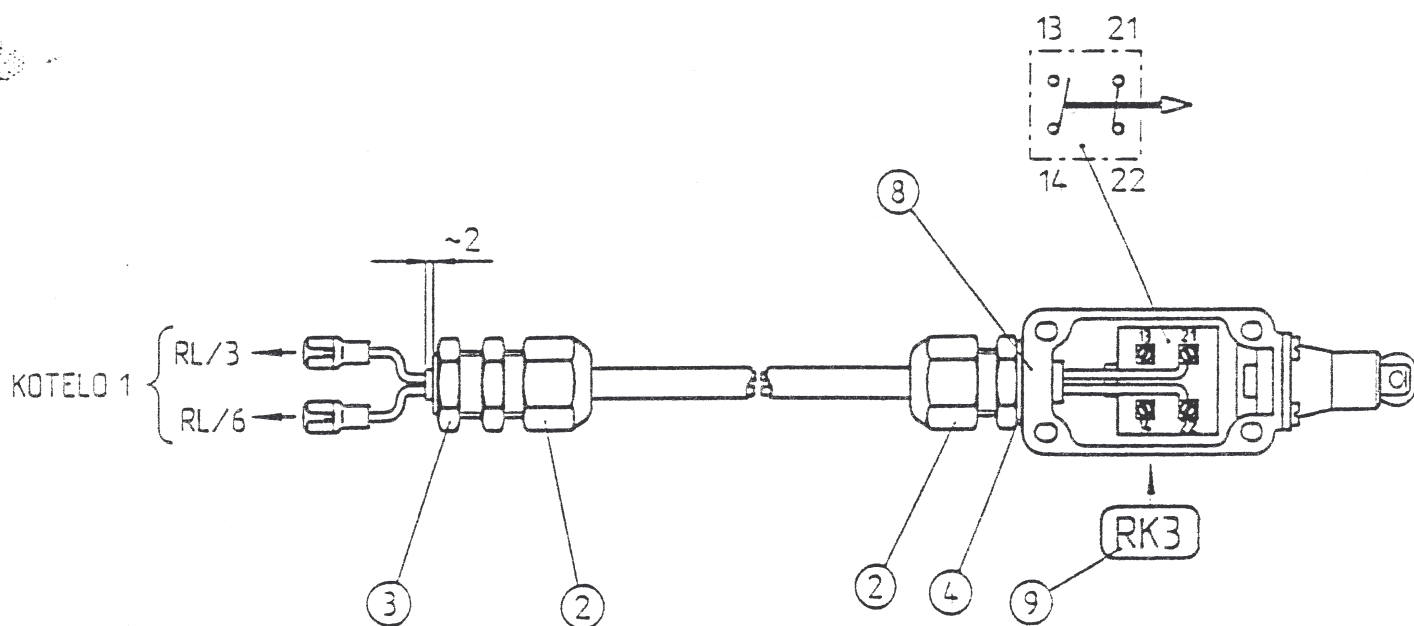
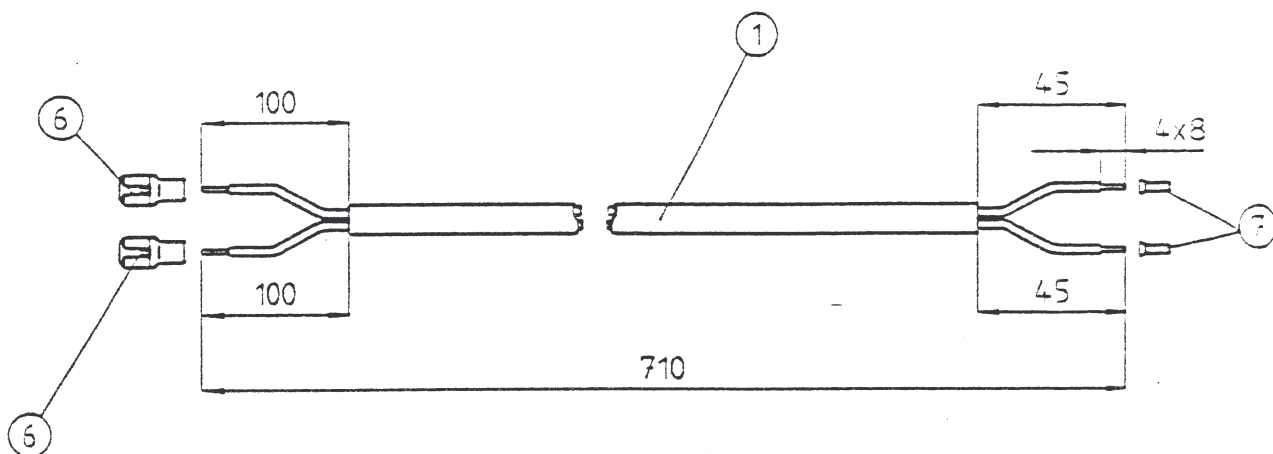
15.3 ATTACHMENT OF SAFETY SWITCHES RK3 AND RK4 AND ADAPTER BOX 1
(ELECTRICAL EQUIPMENT FOR BASE FRAME)

<u>Item</u>	<u>Part No</u>	<u>Description</u>	<u>Qty</u>
1-7	21036568	Assembly complete	1
1	21036262	Cover	1
2	3010564	Socket hd screw M5x60 zn 8.8 DIN 912	2
3	3010574	Socket hd screw M5x50 8.8 zn DIN 912	2
4	3020087	Hex. nut M5 zn DIN 934	4
5	3020092	Hex. nut M5 zn DIN 985	4
6	3010657	Screw M5x16 zn DIN 7985	2
7	3030094	Spring washer M5 zn DIN 127	2

SCANLIFT SL 180

CABLE 1 AND SAFETY SWITCH RK3 (ADAPTER BOX 1, CABLES)

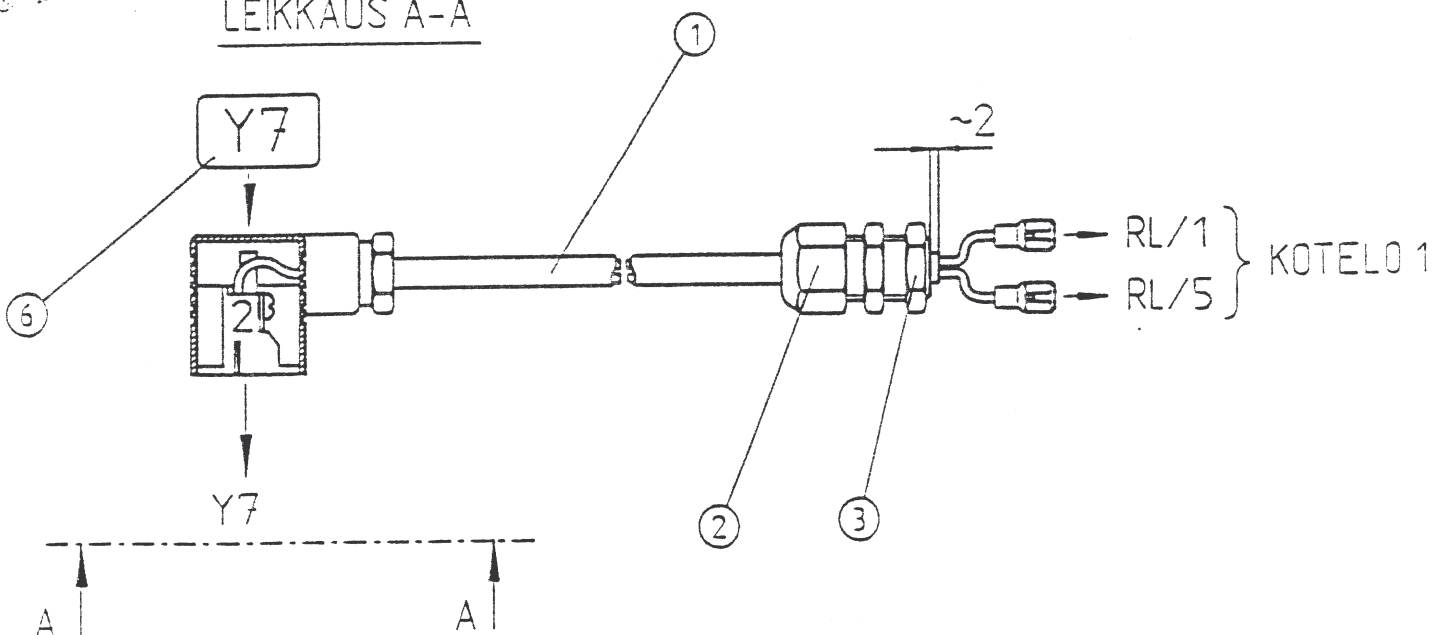
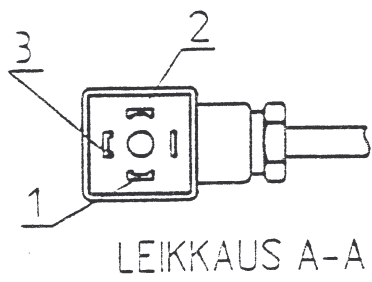
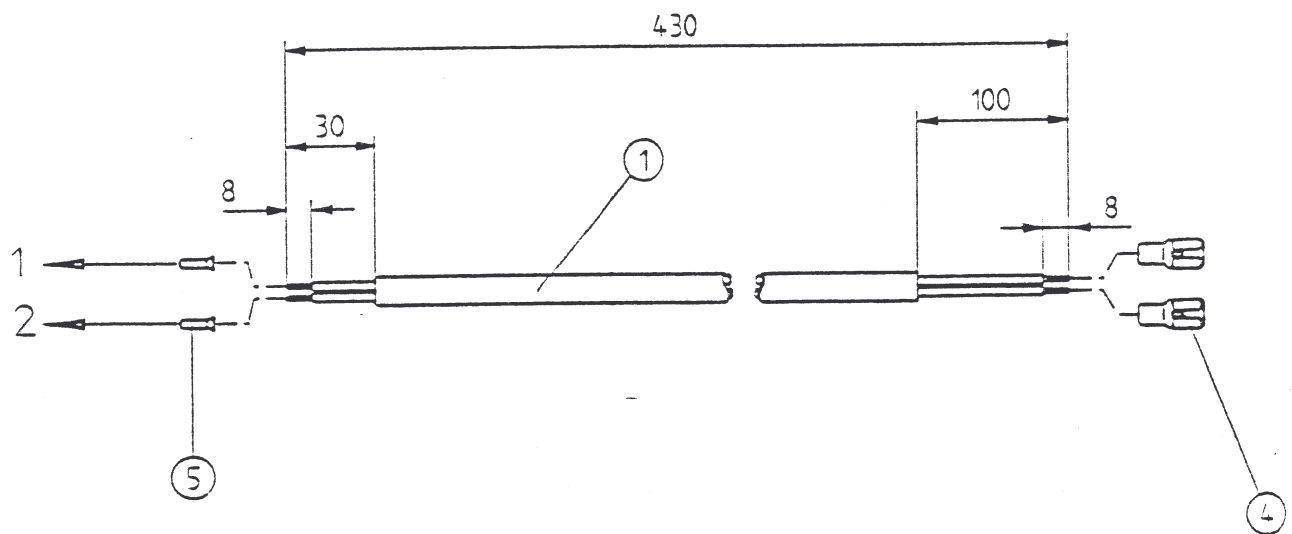
Item	Part No	Description	Qty
1-9	21036340	Cable complete	1
1	3180384	Cable 2x1,5 mm ² Olflex-FD800	1
2	3180184	Sealing bush PG9	2
3	3180008	Nut PG9 P30	1
4	3180128	Adapter PG13,5-PG9 DIN 46320	1
6	3180273	Flat socket plug 9052 6,3mm insulated	2
7	3180165	End fitting Ø 1,5 ²	2
8	3180288	Safety switch Schmersal TR 336-11Z	1
9	3280415	Label (RK3)	1



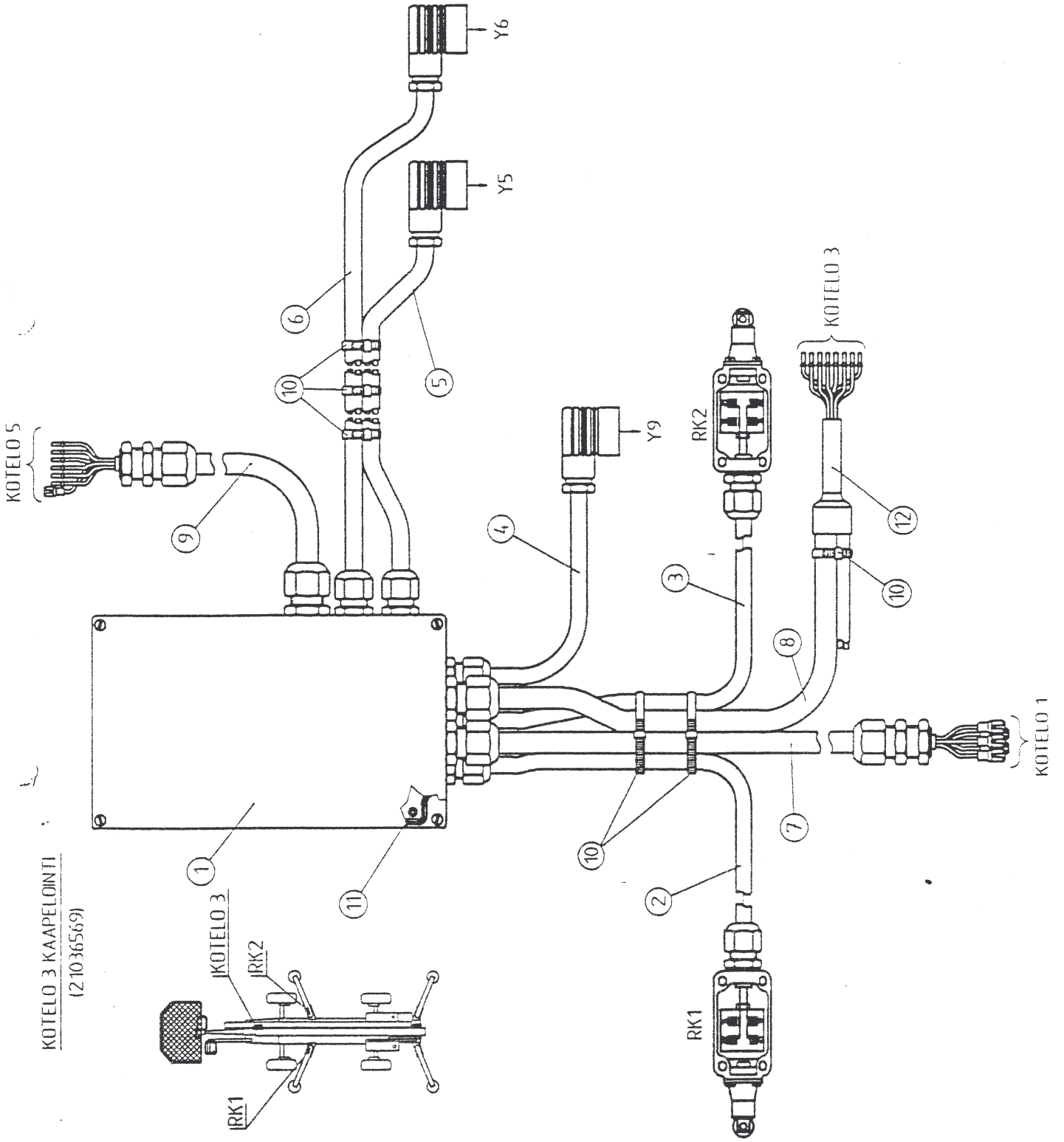
SCANLIFT SL 180

CABLE 3 AND SOLENOID PLUG Y7 (ADAPTER BOX 1, CABLES)

Item	Part No	Description	Qty
1-6	21036342	Cable complete	1
1	3180384	Cable 2x1,5mm ² Olflex-FD800	1
2	3180184	Sealing bush PG9	1
3	3180008	Nut PG9 P30	1
4	3180273	Flat socket plug 9052 6,3mm insulated	2
5	3180165	End fitting 1,5 uninsulated	2
6	3280415	Label (Y7)	1



KOTELO 3 KAAPELOINTI
(21036569)



SCANLIFT SL 180

15.4 RELAY- AND ADAPTER BOX (3) OF BASE FRAME, CABLES

<u>Item</u>	<u>Part No</u>	<u>Description</u>	<u>Qty</u>
1-12	21036569	Cables complete	1
1	21036344	Box 3 internal outfitted	1
2	21036345	Cable 1 and safety switch RK1 assembly	1
3	21036345	Cable 2 and safety switch RK2 assembly	1
4	21036347	Cable 3 and solenoid plug Y9 assembly	1
5	21036348	Cable 4 and solenoid plug Y5 assembly	1
6	21036349	Cable 5 and solenoid plug Y6 assembly	1
7	21036350	Cable 6	1
8	21036351	Cable 7	1
9	21036352	Cable 8	1
10	3300029	Strap 2x13x550 nylon	6
11	3010576	Screw M4x10 zn DIN 7985	4
12	3180406	Shrink-on tube PVC musta DIN 40621	1

SCANLIFT SL 180

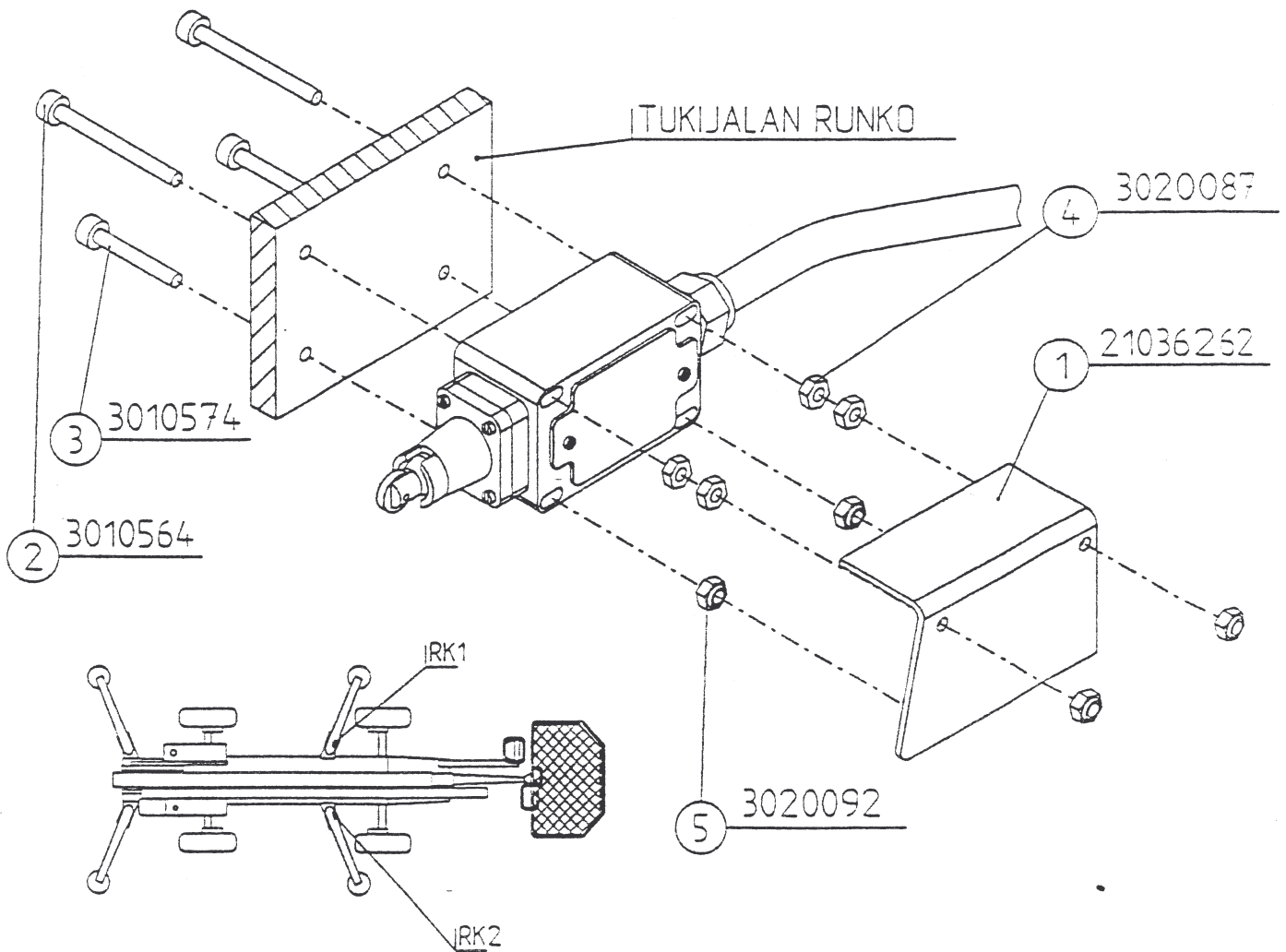
RELAY- AND ADAPTER BOX 3, INTERNAL OUTFIT

<u>Item</u>	<u>Part No</u>	<u>Description</u>	<u>Qty</u>
1-22	21036344	Box 3 complete	1
1	21036033	Box 3 200x120x90	1
2	21036034	Fitting plate	1
3	3180183	Pulsing relay ESMI NF-8250	1
4	3010576	Screw M4x10 zn DIN 7985	4
5	3020093	Hex. nut M4 zn DIN 985	4
6	3030127	Washer M4 zn DIN 9021	2
7	3180212	Fitting bar	1
8	3180326	Terminal WK5 S/U 57.504.3553	13
9	3180328	End plate	1
10	3180327	End clamp 9708/2 S 35	2
11	3180343	Contact bar	1
12	3010688	Screw	2
13	3180330	Labels	1
14	21036353	Wire 1	1
15	21036353	Wire 2	1
16	21036355	Wire 3	1
17	21036356	Wire 4	1
18	21036357	Wire 5	1
19	21036357	Wire 6	1
20	3280415	Label (R7)	1
21	3010689	Screw 4,2x9,5 zn DIN 7981	4
22	3280415	Label (KOT3)	1

SCANLIFT SL 180

15.5 ATTACHMENT OF SAFETY SWITCHES RK1 AND RK2

<u>Item</u>	<u>Part No</u>	<u>Description</u>	<u>Qty</u>
1	21036262	Cover	1
2	3010564	Socket hd screw M5x60 zn 8.8 DIN 912	2
3	3010574	Socket hd screw M5x50 8.8 zn DIN 912	2
4	3020087	Hex. nut M5 zn DIN 934	4
5	3090092	Hex. nut M5 zn DIN 985	4



SCANLIFT SL 180

WIRE 1 AND 2 (RELAY- AND ADAPTER BOX 3)

<u>Item</u>	<u>Part No</u>	<u>Description</u>	<u>Qty</u>
1-3	21036353	Wire complete	1
1	3180344	Wire 1,5 ² -135 red	1
2	3180273	Flat socket plug 6,3mm insulated	1
3	3180165	End fitting Ø1,5 ² uninsulated	1

WIRE 3 (RELAY- AND ADAPTER BOX 3)

<u>Item</u>	<u>Part No</u>	<u>Description</u>	<u>Qty</u>
1-3	21036355	Wire complete	1
1	3180344	Wire 1,5 ² -210 red	1
2	3180273	Flat socket plug 6,3mm insulated	1
3	3180165	End fitting Ø1,5 ² uninsulated	1

WIRE 4 (RELAY- AND ADAPTER BOX 3)

<u>Item</u>	<u>Part No</u>	<u>Description</u>	<u>Qty</u>
1-3	21036356	Wire complete	1
1	3180344	Wire 1,5 ² -170 red	1
2	3180273	Flat socket plug 6,3mm insulated	1
3	3180165	End fitting Ø1,5 ² uninsulated	1

WIRE 5 AND 6 (RELAY- AND ADAPTER BOX 3)

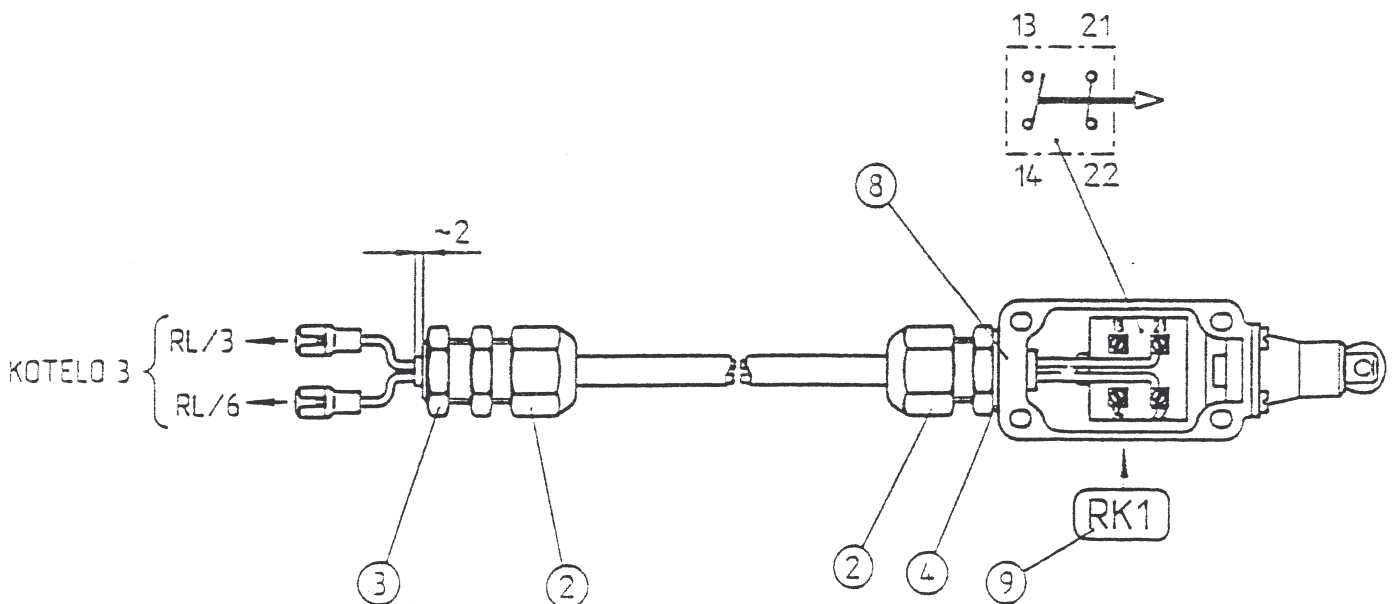
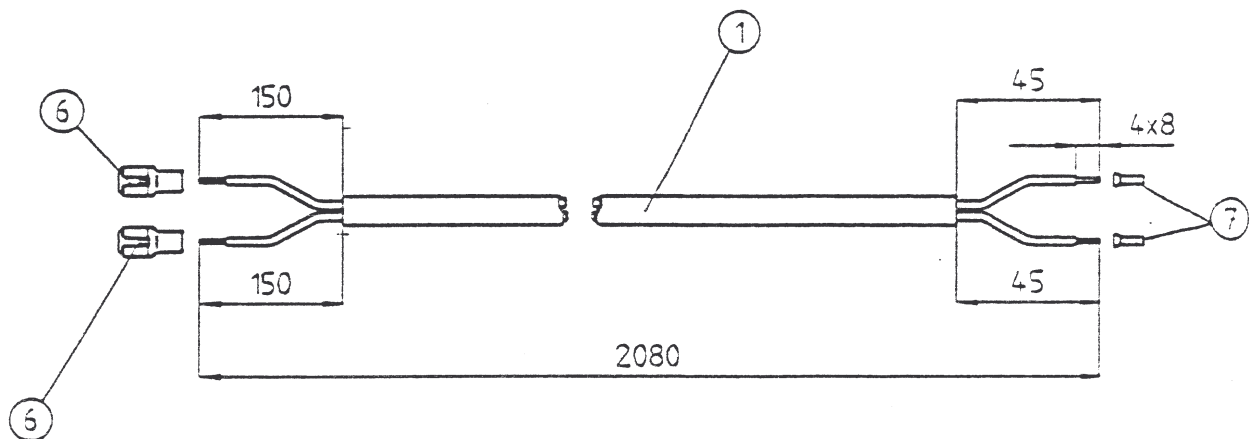
<u>Item</u>	<u>Part No</u>	<u>Description</u>	<u>Qty</u>
1-3	21036357	Wire complete	1
1	3180344	Wire 1,5 ² -190 red	1
2	3180273	Flat socket plug 6,3mm insulated	1
3	3180165	End fitting Ø1,5 ² uninsulated	1

SCANLIFT SL 180

CABLE 1 AND SAFETY SWITCH RK1 (RELAY- AND ADAPTER BOX 3, CABLES)

Item	Part No	Description	Qty
1-9	21036345	Cable complete	1
1	3180384	Cable 2x1,5 mm ² Olflex-FD800	1
2	3180184	Sealing bush PG9	2
3	3180008	Nut PG9 P30	1
4	3180128	Adapter PG13,5-PG9 DIN 46320	1
6	3180273	Flat socket plug 9052 6,3mm insulated	2
7	3180165	End fitting 1,5 uninsulated	2
8	3180288	Safety switch Schmersal TR 336-11Z	1
9	3280415	Label (RK1)	1

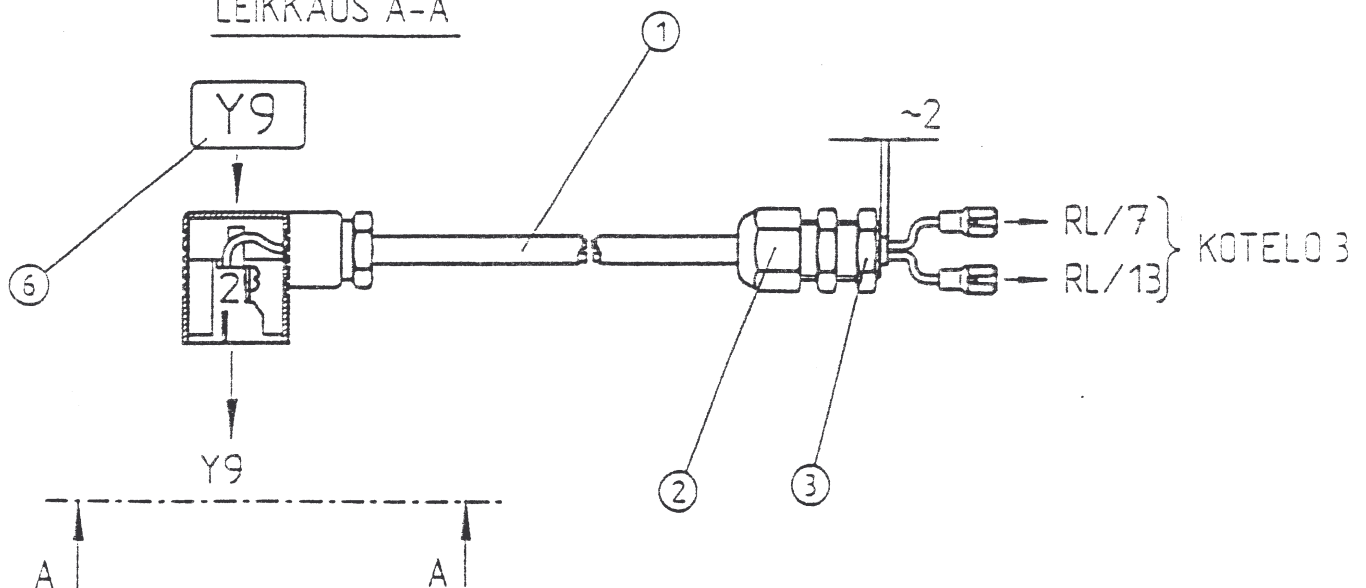
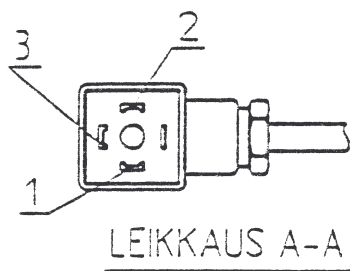
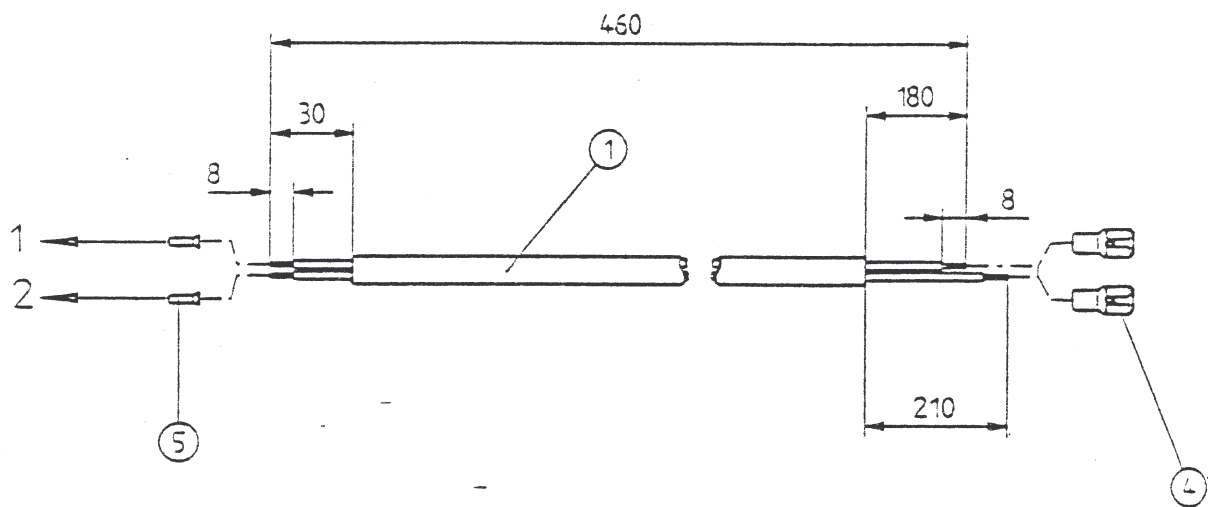
KAAPPELI 1 + RK1 (TUKIJALAN RAJAKYTKINI)
(21036345)



SCANLIFT SL 180

CABLE 3 AND SOLENOID PLUG Y9 (RELAY- AND ADAPTER BOX 3, CABLES)

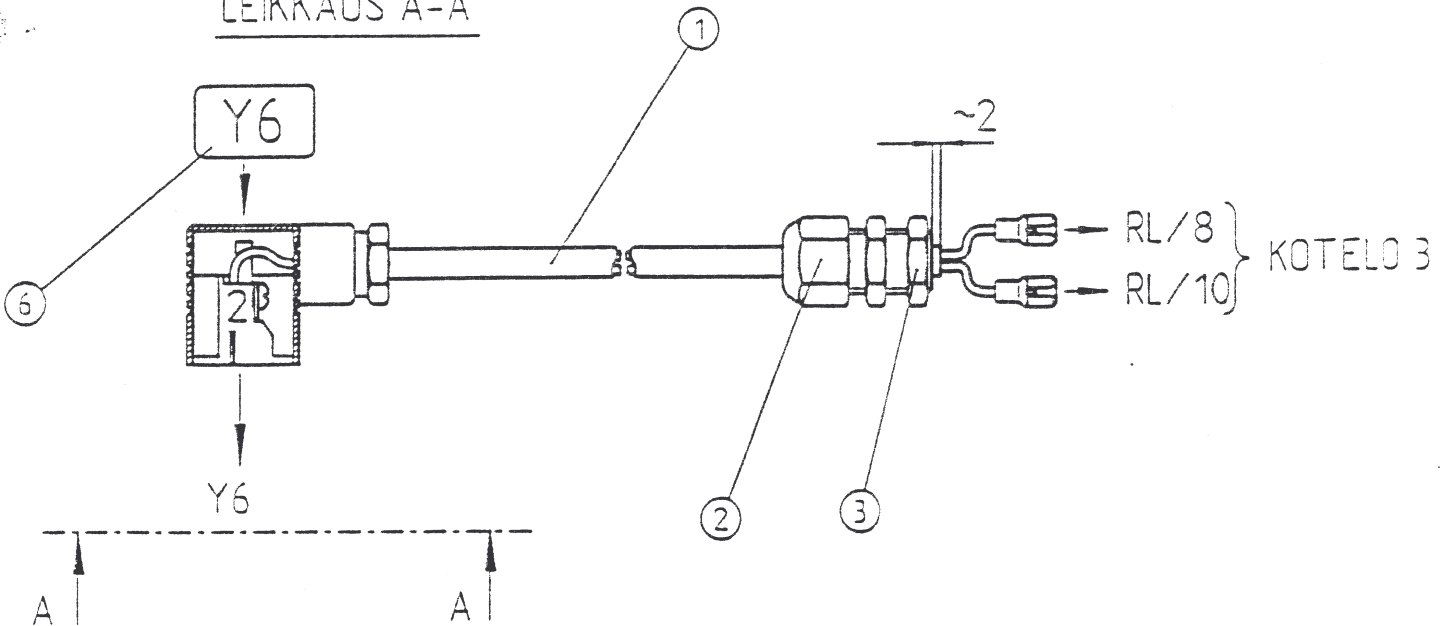
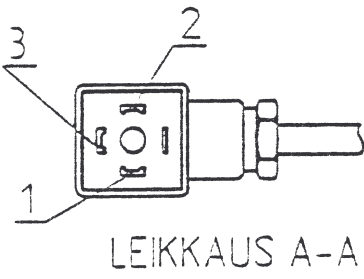
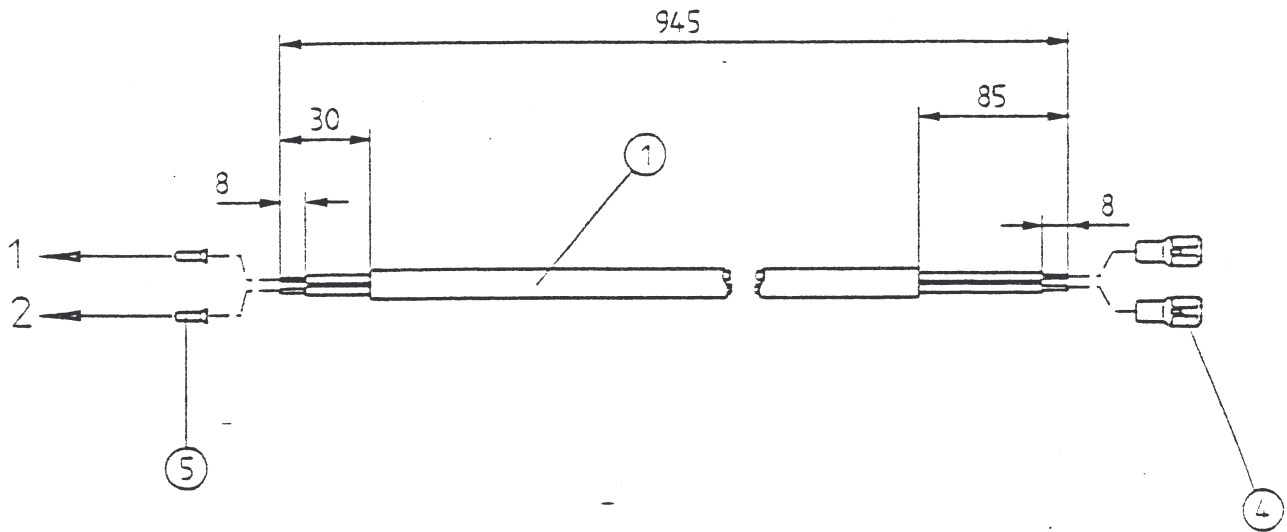
Item	Part No	Description	Qty
1-6	21036347	Cable complete	1
1	3180384	Cable 2x1,5 mm ² Olflex-FD800	1
2	3180184	Sealing bush PG9	1
3	3180008	Nut PG9 P30	1
4	3180273	Flat socket plug 9052 6,3mm insulated	2
5	3180165	End fitting 1,5 uninsulated	2
6	3280415	Label (Y9)	1



SCANLIFT SL 180

CABLE 5 AND SOLENOID PLUG Y6 (RELAY- AND ADAPTER BOX 3, CABLES)

Item	Part No	Description	Qty
1-6	21036349	Cable complete	1
1	3180384	Cable 2x1,5 mm ² Olflex-FD800	1
2	3180184	Sealing bush PG9	1
3	3180008	Nut PG9 P30	1
4	3180273	Flat socket plug 9052 6,3mm insulated	2
5	3180165	End fitting 1,5 uninsulated	2
6	3280415	Label (Y6)	1



SCANLIFT SL 180

CABLE 6 (RELAY- AND ADAPTER BOX 3, CABLES)

<u>Item</u>	<u>Part No</u>	<u>Description</u>	<u>Qty</u>
1-4	21036350	Cable complete	1
1	3180402	Cable 5x1,5 mm ² Olflex-FD800	1
2	3180126	Sealing bush PG11	2
3	3180086	Nut PG11	2
4	3180273	Flat socket plug 9052 6,3mm insulated	11

SCANLIFT SL 180

CABLE 7 (RELAY- AND ADAPTER BOX 3, CABLES)

<u>Item</u>	<u>Part No</u>	<u>Description</u>	<u>Qty</u>
1-5	21036351	Cable complete	1
1	3180402	Cable 5x1,5 mm ² Olflex-FD800	1
2	3180126	Sealing bush PG11	1
3	3180086	Nut PG11	1
4	3180273	Flat socket plug 9052 6,3mm insulated	5
5	3180165	End fitting Ø 1,5 ² uninsulated	5

SCANLIFT SL 180

CABLE 8 (RELAY- AND ADAPTER BOX 3, CABLES)

<u>Item</u>	<u>Part No</u>	<u>Description</u>	<u>Qty</u>
1-6	21036352	Cable complete	1
1	3180302	Cable 7x1,5 mm ² SAB S100	1
2	3180323	Sealing bush PG 13,5	2
3	3180009	Nut PG 13,5	2
4	3180273	Flat socket plug 9052 6,3mm insulated	7
5	3180165	End fitting Ø 1,5 ² uninsulated	6
6	3180412	Socket plug Ø 1,5 ² insulated	1

SCANLIFT SL 180

15.6 INDICATOR BOX 2 FOR HORIZONTAL LEVEL, ASSEMBLY

<u>Item</u>	<u>Part No</u>	<u>Description</u>	<u>Qty</u>
1-22	21036271	Assembly complete	1
1	21036029	Bax 105x105x66	1
2	3180212	Fitting bar	1
3	3010576	Screw M4x10 zn DIN 7985	2
4	3030127	Washer M4 zn DIN 9021	2
5	3020093	Hex. nut M4 zn DIN 985	10
6	21036030	Indicator	4
7	3010506	Hex. screw M4x20 zn 8.8 DIN 933	8
8	3010690	Screw M4x20 zn DIN 7985	4
9	3180326	Terminal WK 5 S/U 57.504.3553	6
10	3180328	End plate AP 5 S 07.311.4653	1
11	3180327	End clamp 9708/2 S 35 Z5.522.8553	2
12	3180330	Labels 9705A/6/10B 04.846.0153	1
13	3180343	Contact bar WK 5S 2 terminals	1
14	3010688	Screw M3x5 zn DIN 84	2
15	21036322	Cable 1	1
16-20	3280415	Labels	(1)
21	3010657	Screw M5x16 zn DIN 7985	2
22	3030094	Spring washer M5 zn DIN 127	2

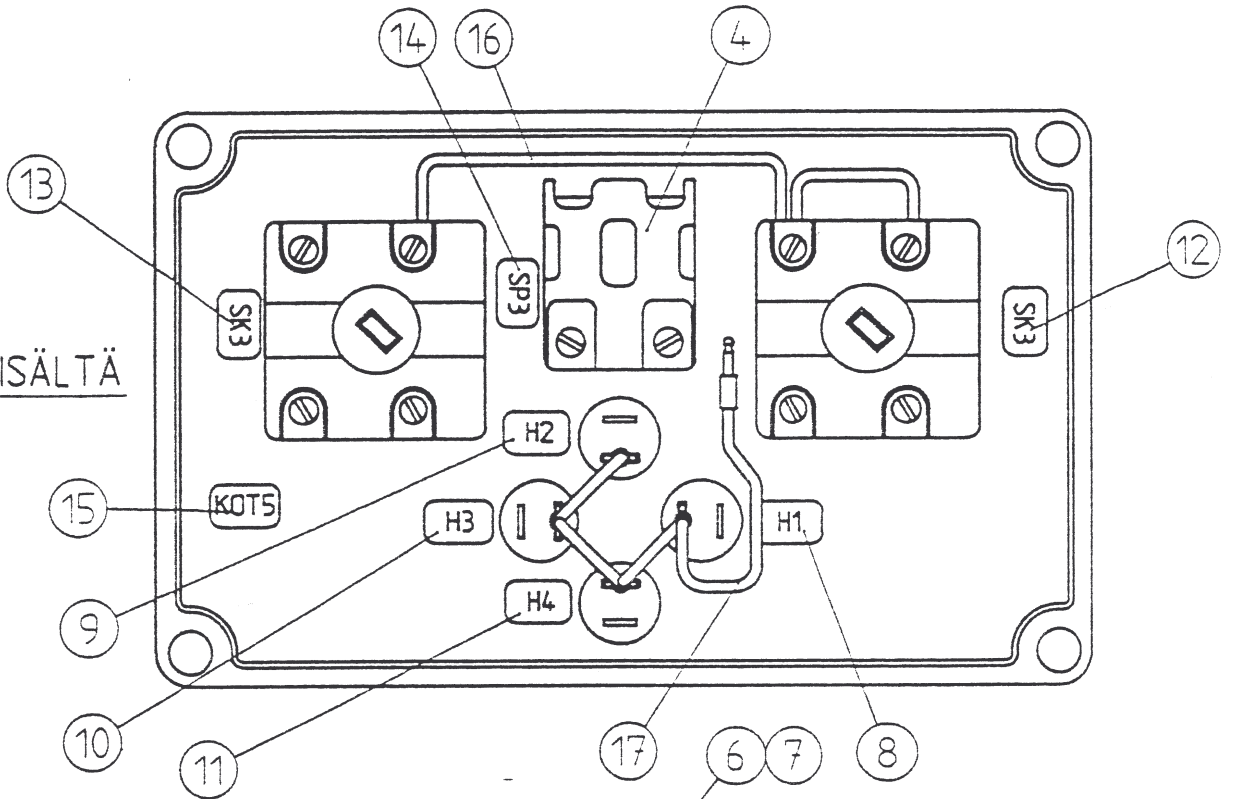
SCANLIFT SL 180

CABLE 1 (INDICATOR BOX 2)

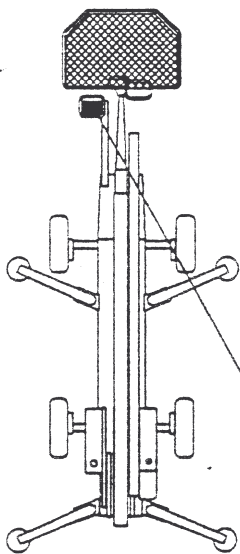
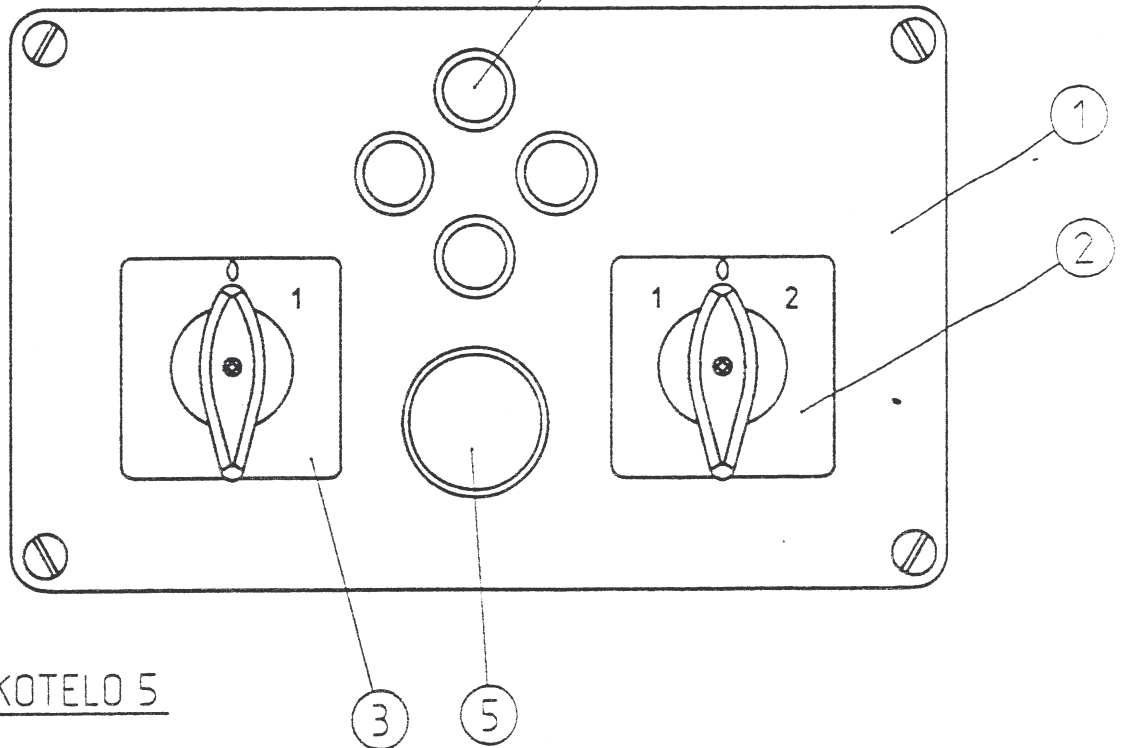
<u>Item</u>	<u>Part No</u>	<u>Description</u>	<u>Qty</u>
1-6	21036322	Cable complete	1
1	3180300	Cable 5x0,75 ² SAB S100	1
2	3180184	Sealing bush PG9	2
3	3180008	Nut PG9	2
4	3180273	Flat socket plug 9052 6,3mm insulated	5
5	3180012	End fitting 0,75 ² uninsulated	1
6	3180407	Flat socket plug 6,3mm full insulated	4

KOTELO 5 KANNEN VARUSTELU
(21036272)

KANSI SISÄLTÄ



KANSI PÄÄLTÄÄ



KOTELO 5

SCANLIFT SL 180

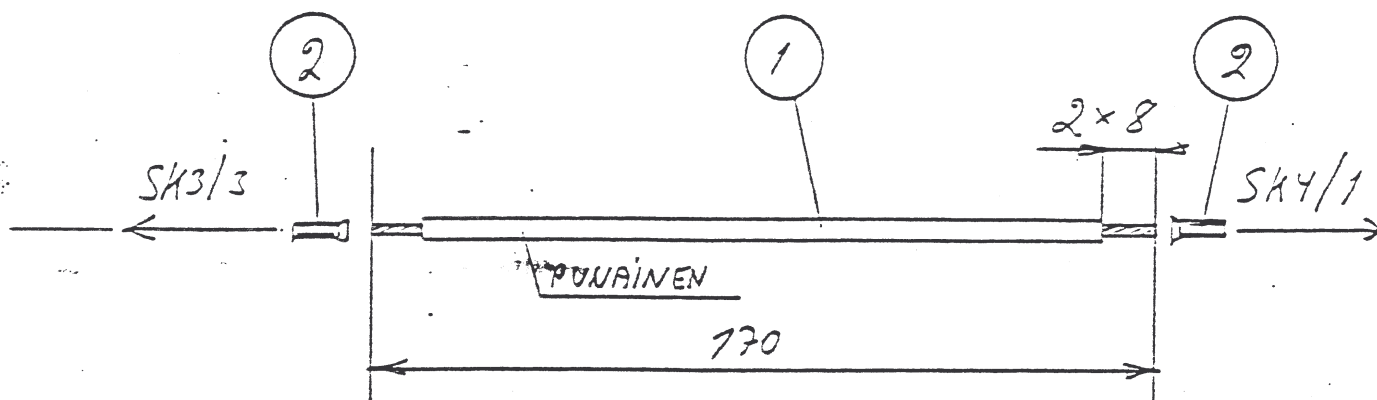
15.7 PUSH-BUTTON BOX 5 FOR TRAVELLING CONTROLS, INTERNAL OUTFIT

<u>Item</u>	<u>Part No</u>	<u>Description</u>	<u>Qty</u>
1-20	21036272	Box 5 complete	1
1	21036037	Box 105x170x82	1
2	3180317	Selecting switch CM 41060012R	1
3	3180316	Selecting switch CM 01-12R 3322	1
4	3180264	Contactora DA 10	1
5	3180349	Push-button D3A6Y yellow	1
6	3180318	Signal light 2AA003257-001 red	4
7	3180408	Bulb 12V 2W 12829	4
8-15	3280415	Labels	(1)
16	21036323	Wire 1	1
17	21036311	Wire 2	1
18	3010686	Screw M4x16 zn DIN 7985	4
19	3020093	Hex. nut M4 zn DIN 985	4
20	3290029	Nylon strap	2

SCANLIFT SL 180

WIRE 1 (PUSH-BUTTON BOX 5)

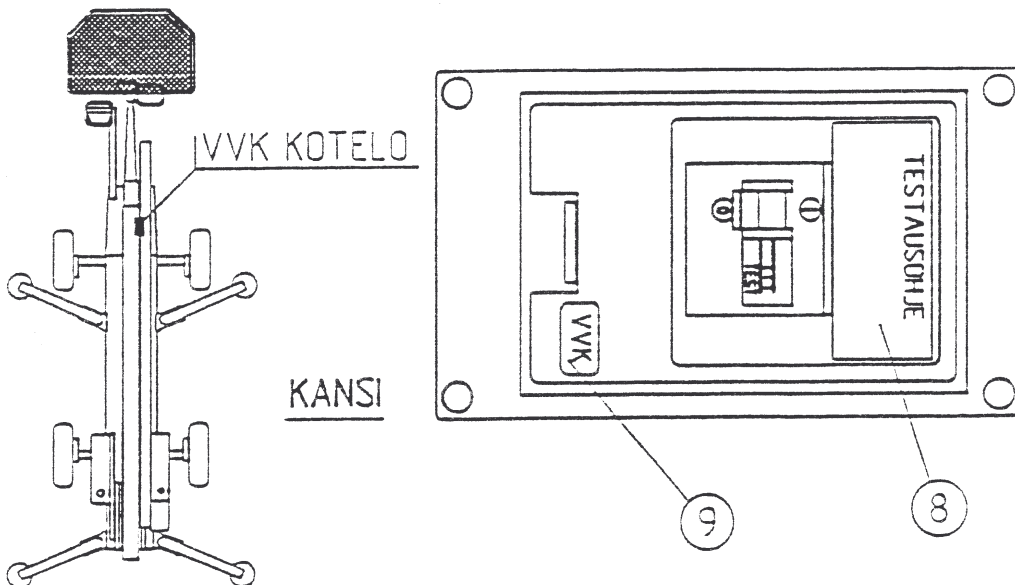
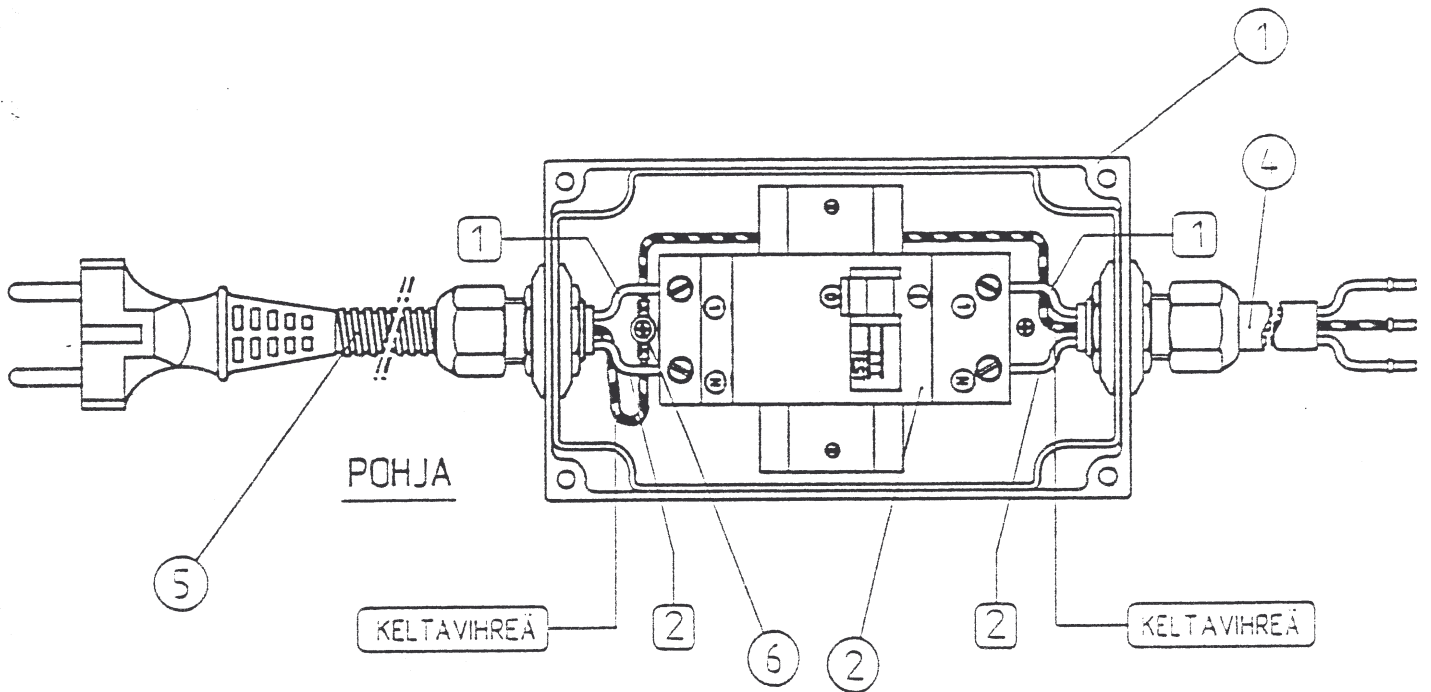
<u>Item</u>	<u>Part No</u>	<u>Description</u>	<u>Qty</u>
1-2	21036323	Wire complete	1
1	3180344	Wire 1,5 ² -170 red	1
2	3180165	End fitting 1,5 ² -7mm uninsulated	2



SCANLIFT SL 180

15.8 ELECTRICAL EQUIPMENT FOR 220 V WORKING VOLTAGE

<u>Item</u>	<u>Part No</u>	<u>Description</u>	<u>Qty</u>
1-9	21036273	Equipment complete	1
1	3180313	Box ZBF-FIN45	1
2	3180312	Fault current relay SIF 25A/2 term. 30mA	1
4	21036312	Cable 1	1
5	21036315	Cable 2	1
6	3010691	Screw M5x10 zn DIN 7985	2
7	3010350	Screw 3,5x16 DIN 7971	2
8	3280408	Warning stamp	1
9	3280415	Label (VVK)	1



SCANLIFT SL 180

CABLE 1 (ELECTRICAL EQUIPMENT FOR 220 V)

<u>Item</u>	<u>Part No</u>	<u>Description</u>	<u>Qty</u>
1-5	21036312	Cable complete	1
1	3180301	Cable 3x1,5mm ² SAB S100	1
2	3180184	Sealing bush PG9	1
3	3180008	Nut PG 9	1
4	3180165	End fitting 1,5 ² -7 uninsulated	5
5	3180393	Ring plug M5 - 1,5 ² uninsulated	1

SCANLIFT SL 180

CABLE 2 (ELECTRICAL EQUIPMENT FOR 220 V)

<u>Item</u>	<u>Part No</u>	<u>Description</u>	<u>Qty</u>
1-6	21036315	Cable complete	1
1	3180121	Cable with plug	1
2	3180184	Sealing bush PG9	1
3	3180008	Nut PG 9	1
4	3180165	End fitting 1,5 ² -7 uninsulated	2
5	3180393	Ring plug M5 - 1,5 ² uninsulated	1
6	3180410	Cable protector FFTYL 10/S - 610	1

16. ENGINES

SCANLIFT SL 180

CABLE 2 (ELECTRICAL EQUIPMENT FOR 220 V)

<u>Item</u>	<u>Part No</u>	<u>Description</u>	<u>Qty</u>
1-6	21036315	Cable complete	1
1	3180121	Cable with plug	1
2	3180184	Sealing bush PG9	1
3	3180008	Nut PG 9	1
4	3180165	End fitting 1,5 ² -7 uninsulated	2
5	3180393	Ring plug M5 - 1,5 ² uninsulated	1
6	3180410	Cable protector FFTYL 10/S - 610	1

16. ENGINES

SCANLIFT SL 180

16.1 ENGINE ASSEMBLY, HATZ DIESEL

<u>Item</u>	<u>Part No</u>	<u>Description</u>	<u>Qty</u>
1-27	21036261	Engine assembly complete	1
1	3300532	Diesel engine Hatz supra 1D80C	1
2	21036169	Fitting plate	1
3	3030022	Spring washer M10 DIN 127 Zn	10
4	3010192	Socket hd screw M10x20 DIN 912 Zn	4
5	21036119	Engine fitting frame	1
6	3300552	Rubber cushion	4
7	3010199	Hex. screw M10x16 8.8 DIN 933 Zn	4
8	21036172	Exhaust pipe	1
9	3030067	Spring washer M6 DIN 127 Zn	1
10	3010038	Hex. screw M6x16 DIN 933 8.8 Zn	1
11	3160132	Adjustable-displacement pump Vickers PVB5-RSY-21-CCPV-21	1
12	3010089	Hex. screw M10x35 DIN 933 8.8 Zn	2
13	3300550	Coupling element D-4440 Bowex M42	1
14	3010001	Retaining screw M8x10 DIN 916 8.8	1
15	3090642	Double nipple R1"-1 1/16-12UNF 2063-16-12	1
16	3110556	O-ring 90Sh OR 23,47 x 2,95	2
17	21036016	Pressure nipple	1
18	21036017	Leakage nipple	1
19	3110555	O-ring 90Sh OR 12,0x2,0	1
20	3090284	Double nipple R1/4" - 7/16-20 UNF	1
21	3110158	O-ring 90SH OR 8,73x1,78	1
22	21036161	Inlet adapter	1
23	21036264	Clamp for inlet hose	1
24	3020109	Hex. nut M6 DIN 934 Zn	3
25	21036168	Adapter	1
26	3130909	Fuel hose 7,5/12,5 - 400	2
27	3090723	Clamp MABA - 13 Hi-Flex	5

